

WARNING:
 CHOKING HAZARD - SMALL PARTS.
 Not for children under 3 years.
 Ne concerne que les USA

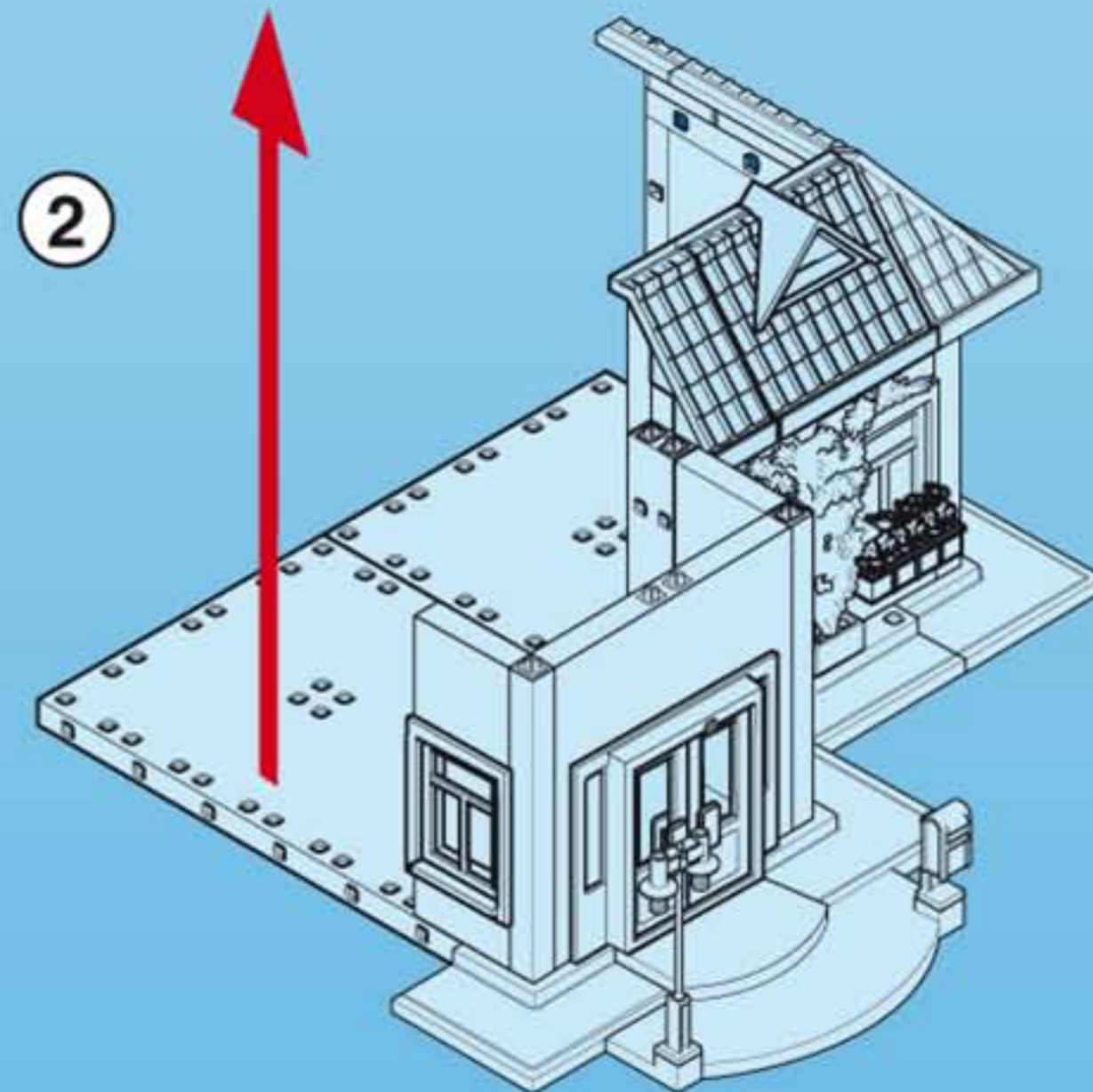
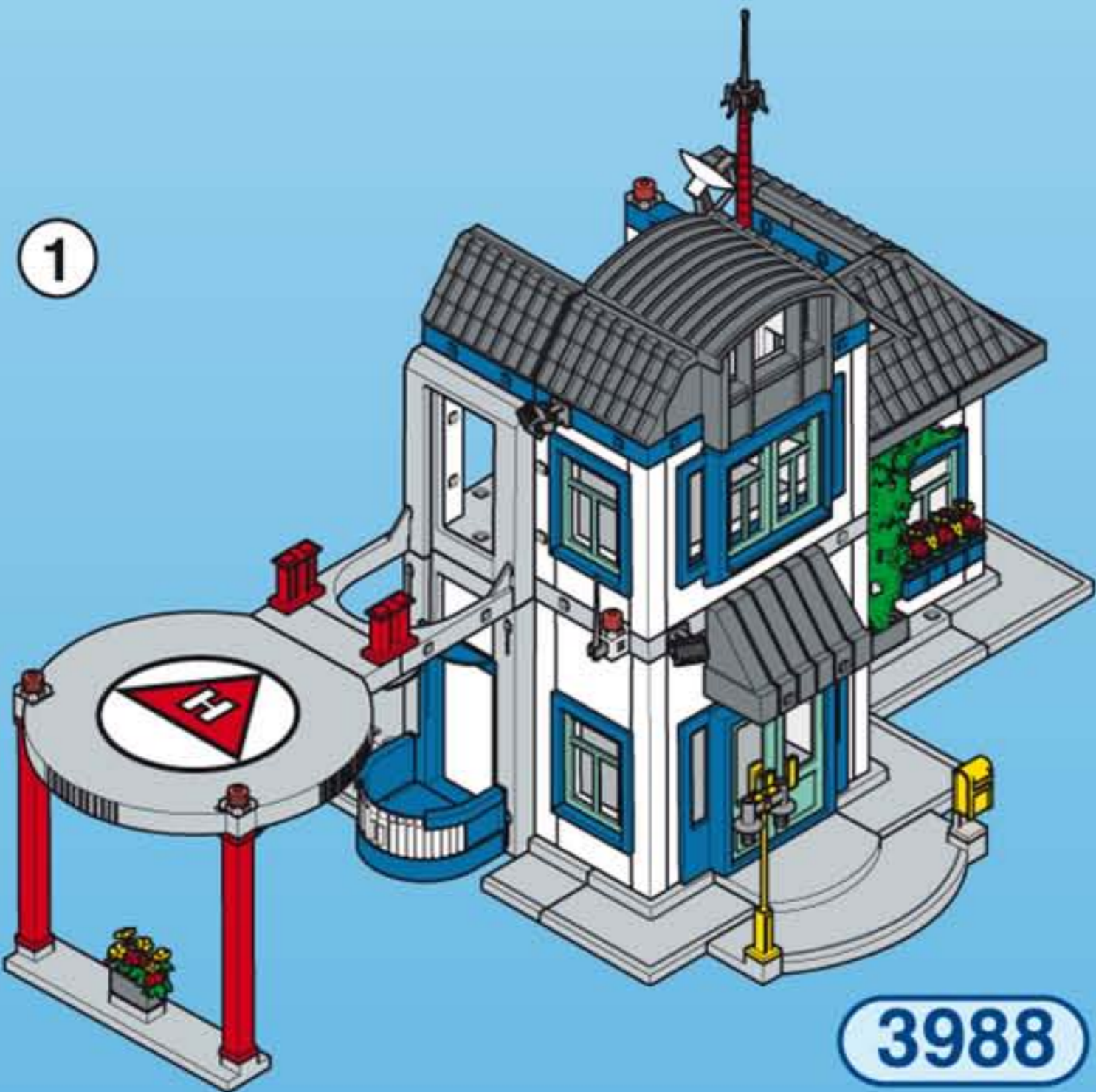
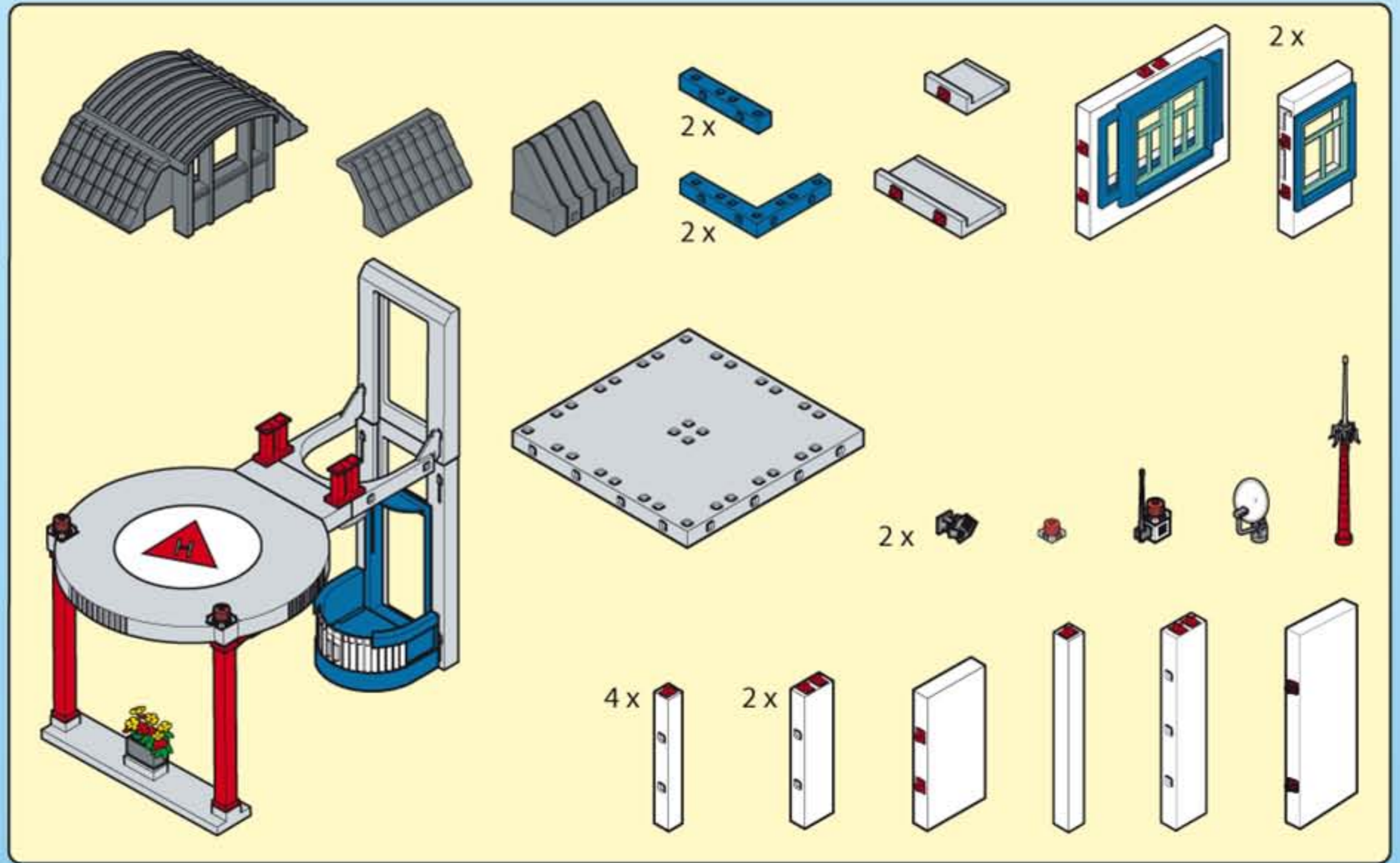
Wichtige Unterlagen, bitte sorgfältig aufbewahren!
 Important documents keep carefully!
 Documents importants conservez avec soin!

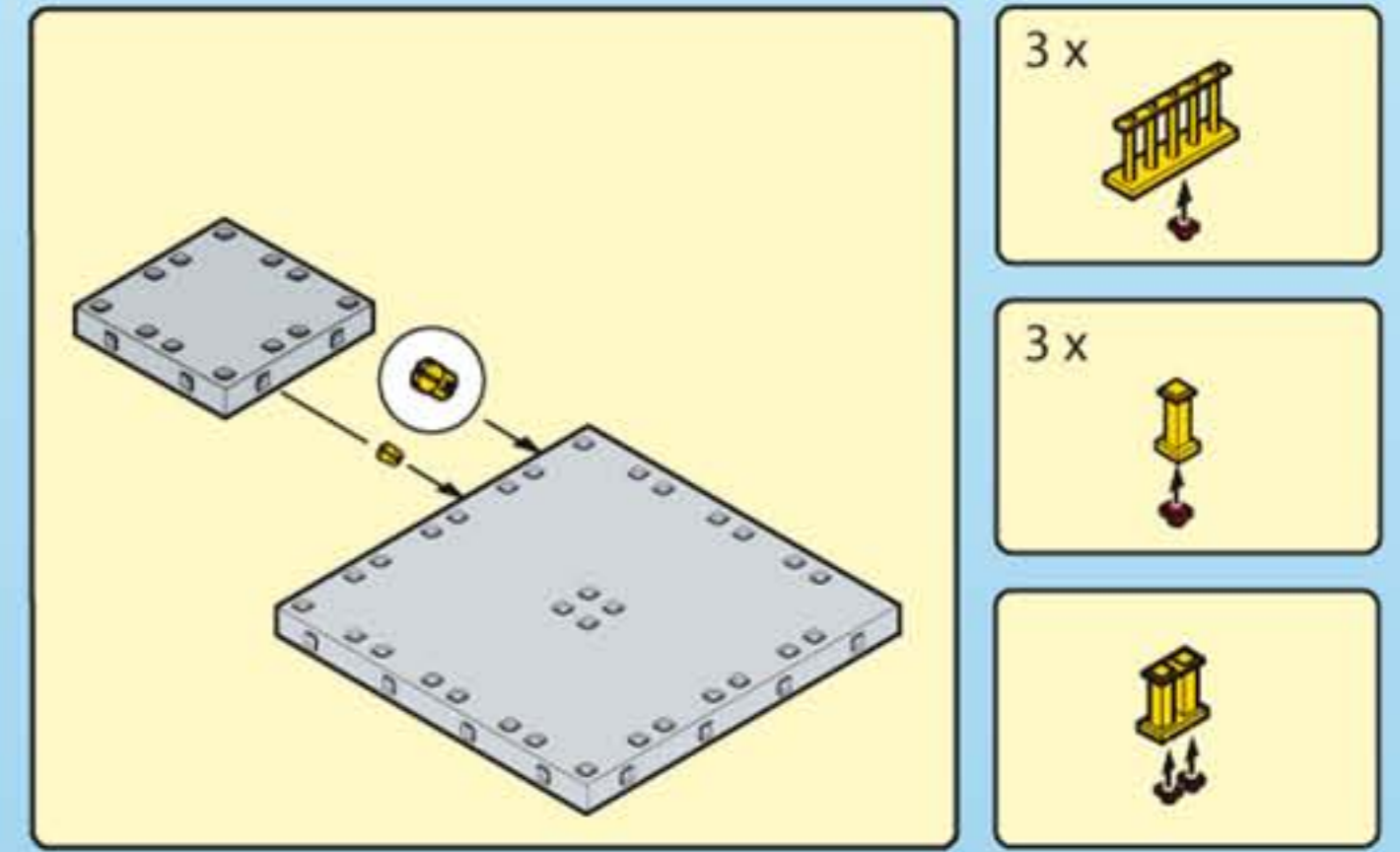
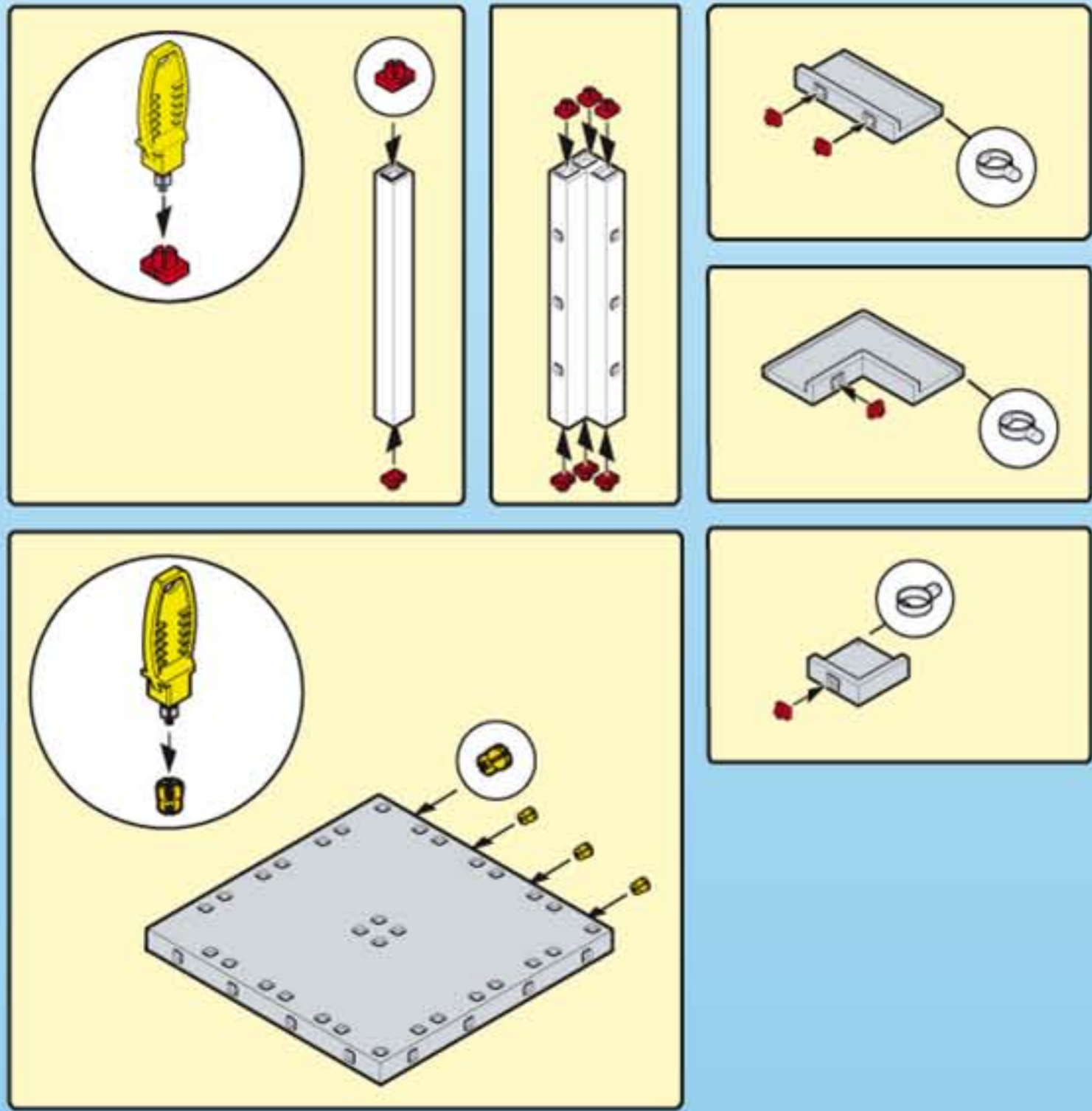
| | | | | | | |
|---------------|----------------|----------------|---------------|---------------|---------------|-----------------|
| | | | | | | |
| 30 66 667 | 30 20 248 | 30 20 249 | 3 x 30 66 657 | 3 x 30 20 006 | 3 x 30 20 008 | 30 20 253 |
| | | 2 x 30 20 033 | | | | 30 20 254 |
| | | | | | | |
| 2 x 30 05 449 | 30 66 665 | 30 66 662 | 30 06 762 | 30 66 663 | 30 66 661 | 2 x 30 20 056 |
| | | | | | | |
| 30 20 002 | 30 20 000 | 2 x 30 20 001 | 30 20 037 | 30 20 244 | | 251 |
| | | | | | | 6 x 30 05 742 |
| | | | | | | |
| 2 x 30 07 575 | 2 x 30 07 357 | 30 06 259 | 30 05 930 | 30 06 304 | | 2 x 8 30 04 193 |
| | | | | | | 3 x 8 30 09 465 |
| | | | | | | |
| 30 88 586 | 30 05 622 | 30 04 663 | | | | |
| | | | | | | |
| 30 66 735 | 30 06 456 | 30 05 498 | 30 06 457 | 30 06 458 | | |
| | | | | | | |
| | 96 x 30 09 690 | 12 x 30 04 877 | 8 x 30 03 660 | | | |



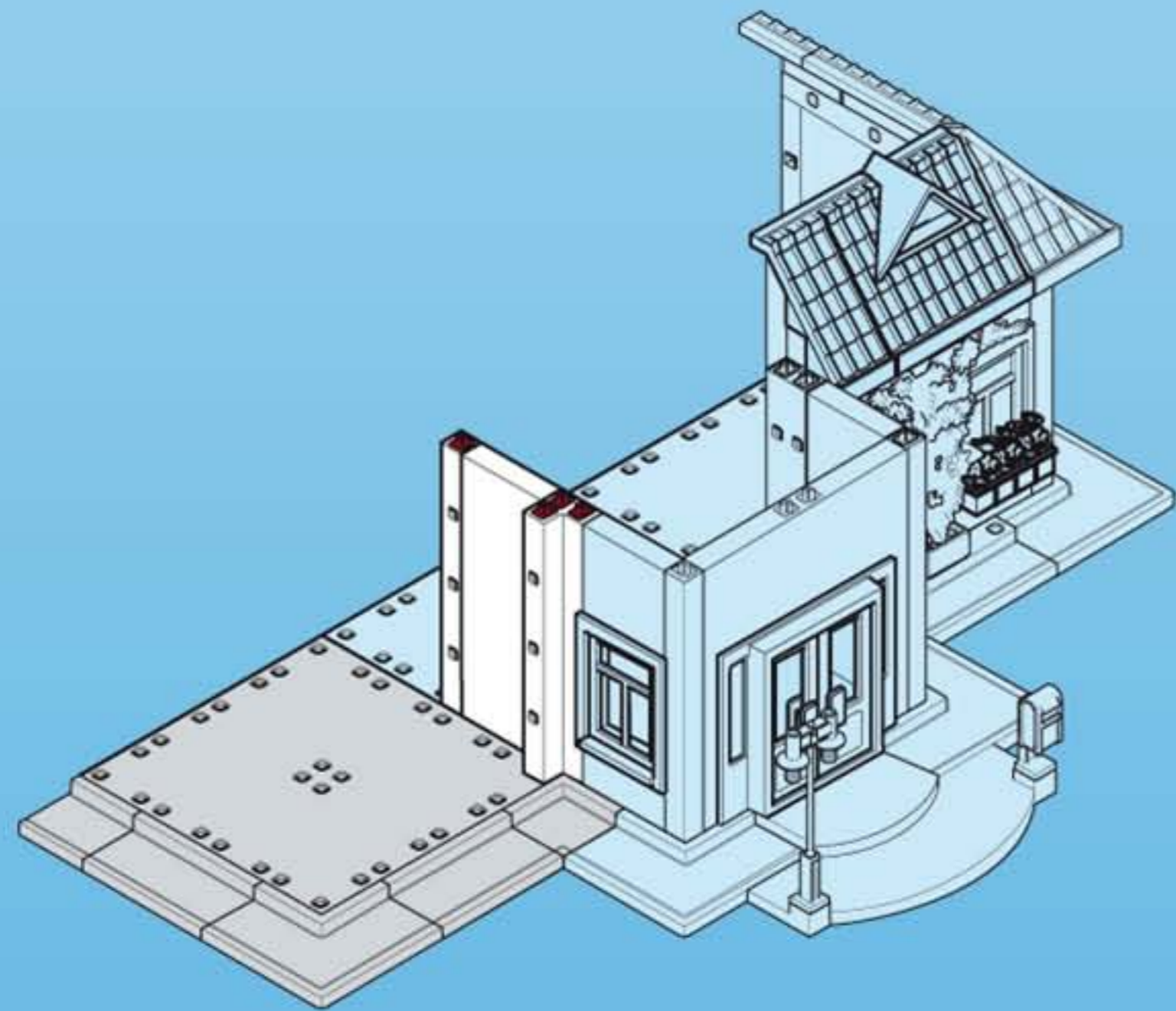
7417

7417 + 3988





3



4

