



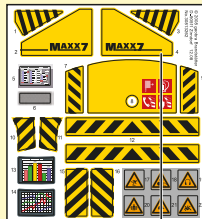
WARNING: CHOKING HAZARD

Small parts. Not for children under 3 years.

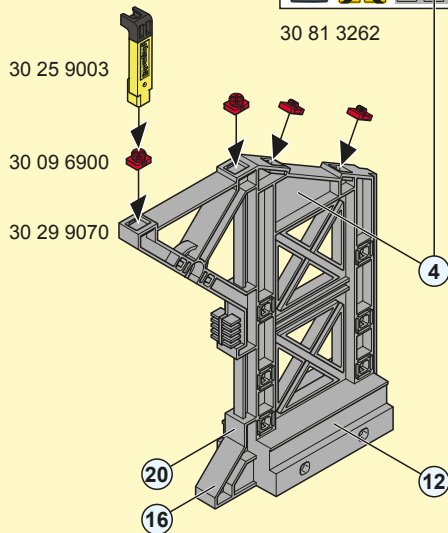
"Ne concerne que les USA"

Wichtige Unterlagen, bitte sorgfältig aufbewahren!
Important: Please keep these instructions for future reference!
Documents importants, à conserver soigneusement!
Belangrijke documenten, bewaar deze zorgvuldig!

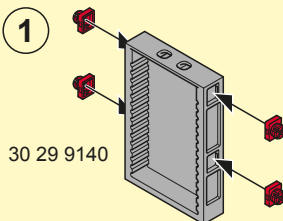
1



30 81 3262

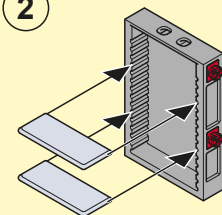


1

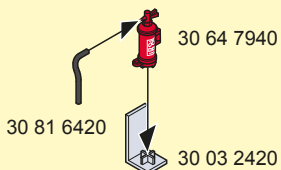


30 29 9140

2



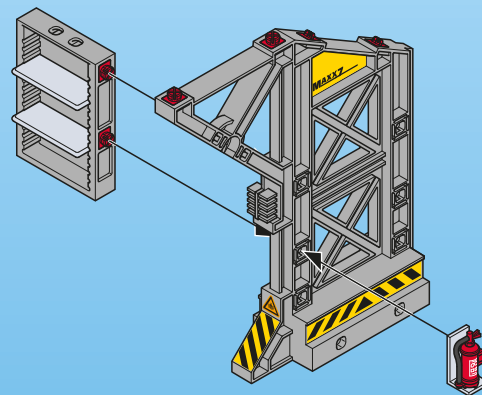
30 24 4160



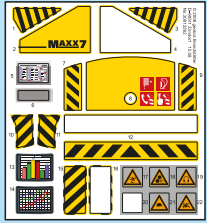
30 81 6420

30 64 7940

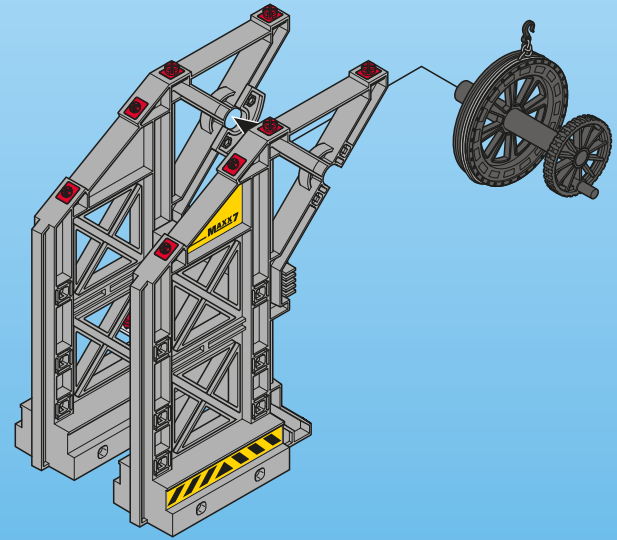
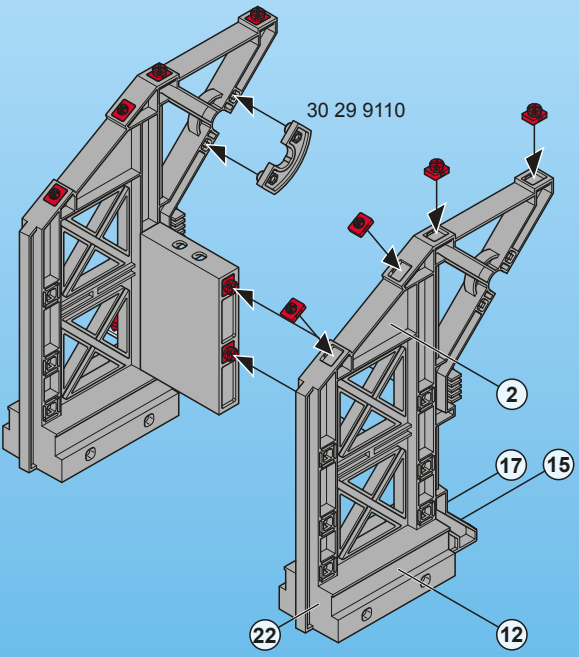
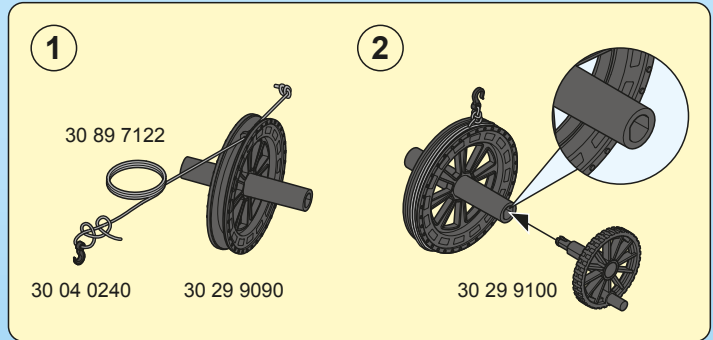
30 03 2420



2

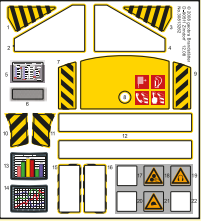


3



4

1



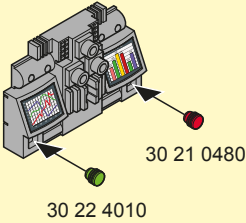
30 03 6600

30 29 9120

13

14

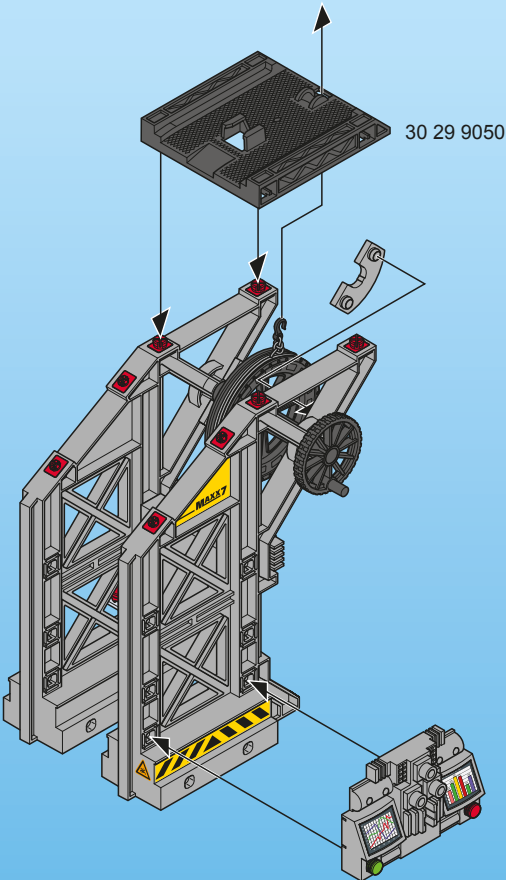
2



30 21 0480

30 22 4010

Detailed description: This section contains two sub-steps, 1 and 2, for assembling a control panel. Step 1 shows a parts list with various components including warning labels, a yellow control panel (14), and a grey housing (13). Below the list, a yellow level is used to align the housing (13) with a screw (30 03 6600) and a bracket (30 29 9120). Step 2 shows the control panel (14) being inserted into the housing (13), secured by a red screw (30 21 0480) and a green screw (30 22 4010).

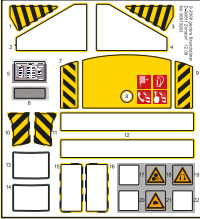


30 29 9050

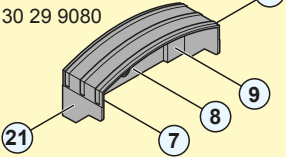
Detailed description: This diagram shows the main assembly of a mechanical device. A grey metal frame is shown with a large black wheel and a yellow warning label that reads 'MAG 7'. A black control panel (30 29 9050) is being attached to the top of the frame. A small grey bracket is also shown being attached to the frame. At the bottom, the control panel assembly from step 4 is being connected to the main device.

5

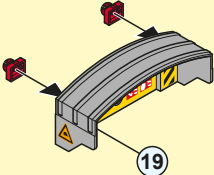
1



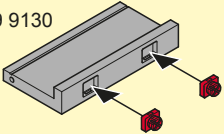
30 29 9080



2

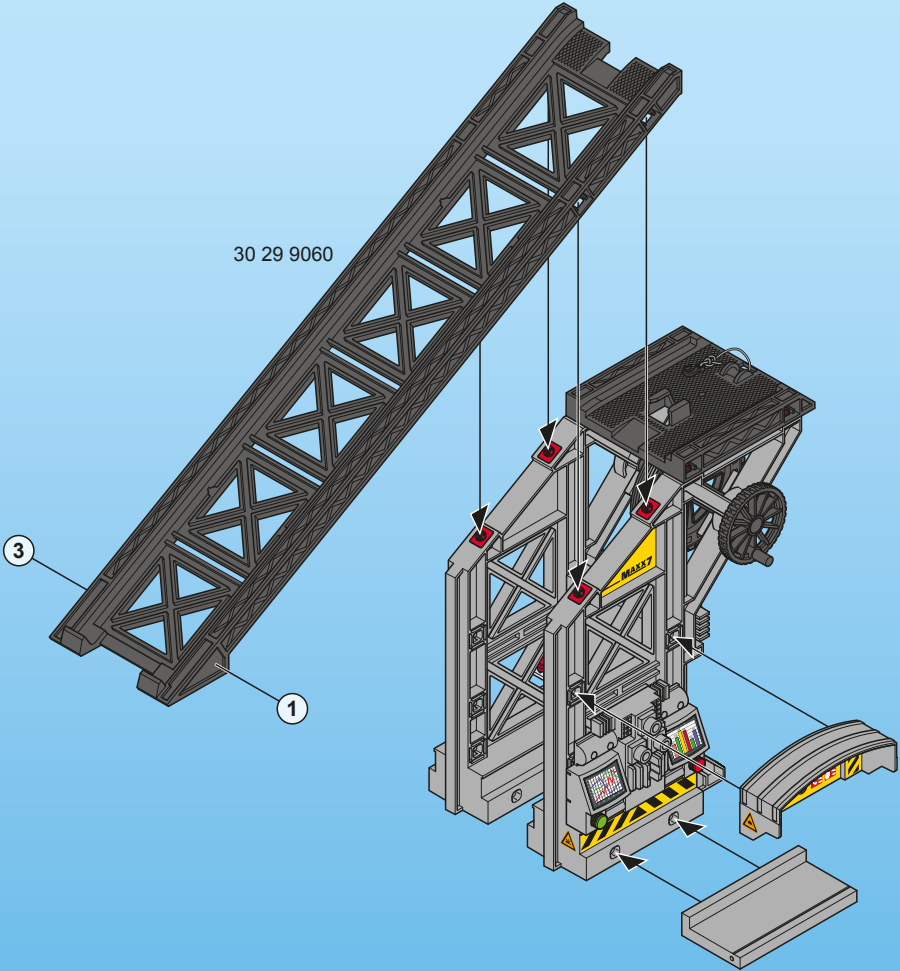


30 29 9130



Detailed description: This block contains three sub-diagrams for step 5. The top diagram, labeled '1', is a parts list showing various components including safety labels (yellow and black triangles), a control panel with a red emergency stop button, and several rectangular panels. Below it, the assembly of part 30 29 9080 is shown. This part is a curved grey plastic piece with a yellow and black hazard label. It is being attached to a larger grey component (part 9) using two red pins (part 8) and a red pin (part 21). The second sub-diagram, labeled '2', shows the assembly of a second red pin (part 8) into the curved part (part 18) to secure the hazard label. The bottom sub-diagram shows the assembly of part 30 29 9130, which is a rectangular grey plastic piece, being secured with two red pins (part 8).

30 29 9060



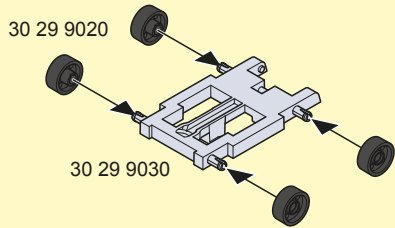
3

1

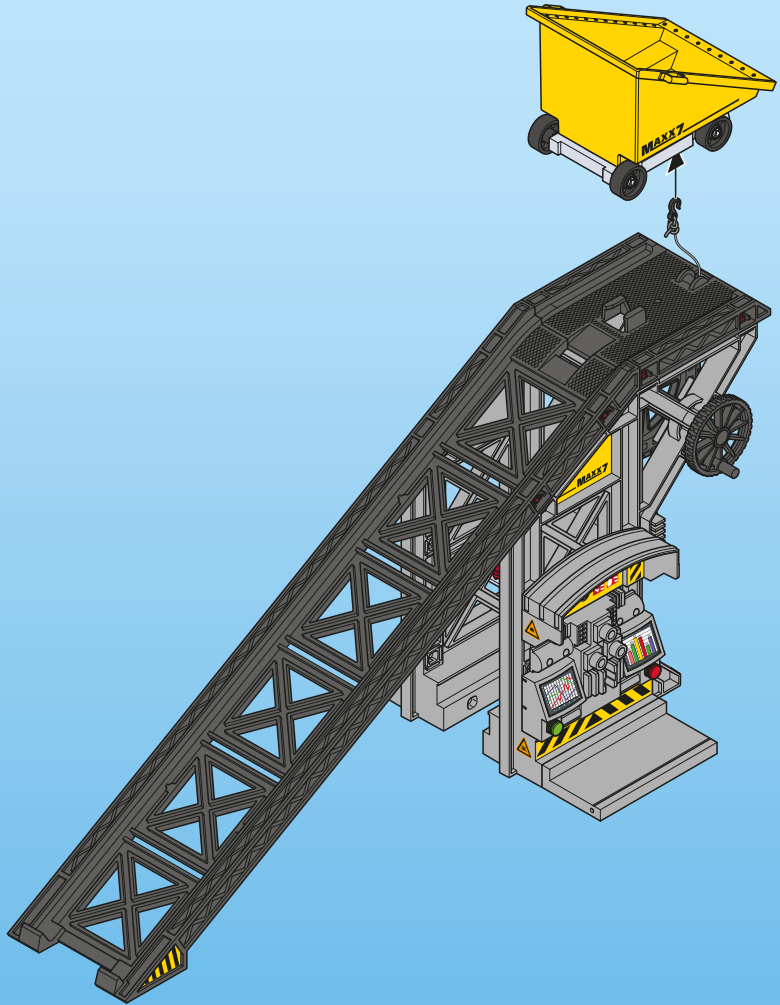
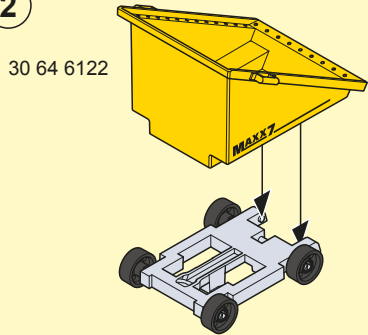
Detailed description: This diagram shows the main assembly step for step 5. A long, grey, lattice-structured boom (part 30 29 9060) is being lowered into place. The boom is suspended by four cables. It is being attached to a grey metal frame (part 3) which is part of a larger machine. The machine has a control panel with a digital display and several buttons. A yellow and black hazard label is visible on the machine. A grey plastic piece (part 1) is being attached to the bottom of the boom. The machine also features a large black wheel on the right side and a red emergency stop button on the control panel.

6

1

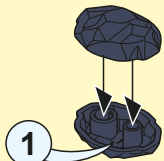


2



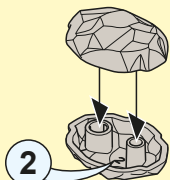
2x

30 29 8760



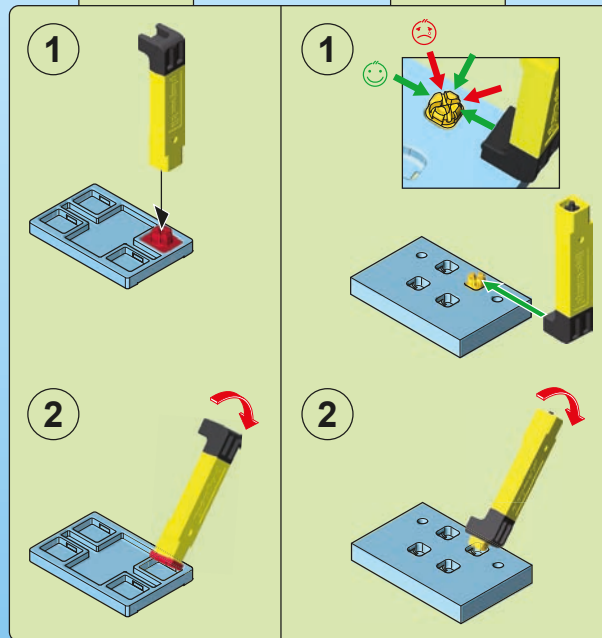
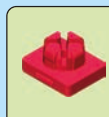
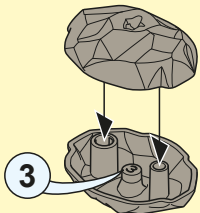
2x

30 29 8770



2x

30 29 8780



Serviceadressen finden Sie in allen
Playmobil-Prospekten

Addresses of Customer Service Depart-
ments are shown in all Playmobil
catalogues

L'adresse du service consommateurs
est indiquée dans tous les catalogues
Playmobil

Troverete gli indirizzi dei centri di
assistenza in tutti i cataloghi Playmobil

In alle PLAYMOBIL catalogi vindt u het
adres van onze klantendienst.

Las Direcciones de los Departamentos de
Servicio al Consumidor se encuentran
en todos los catálogos Playmobil

Η διεύθυνση του Γραφείου Εξυπηρέτησης
Καταναλωτών PLAYMOBIL βρίσκεται σε
όλους τους καταλόγους PLAYMOBIL.

pronounce: pläy-mō-bēēl