

# playmobil®

6337

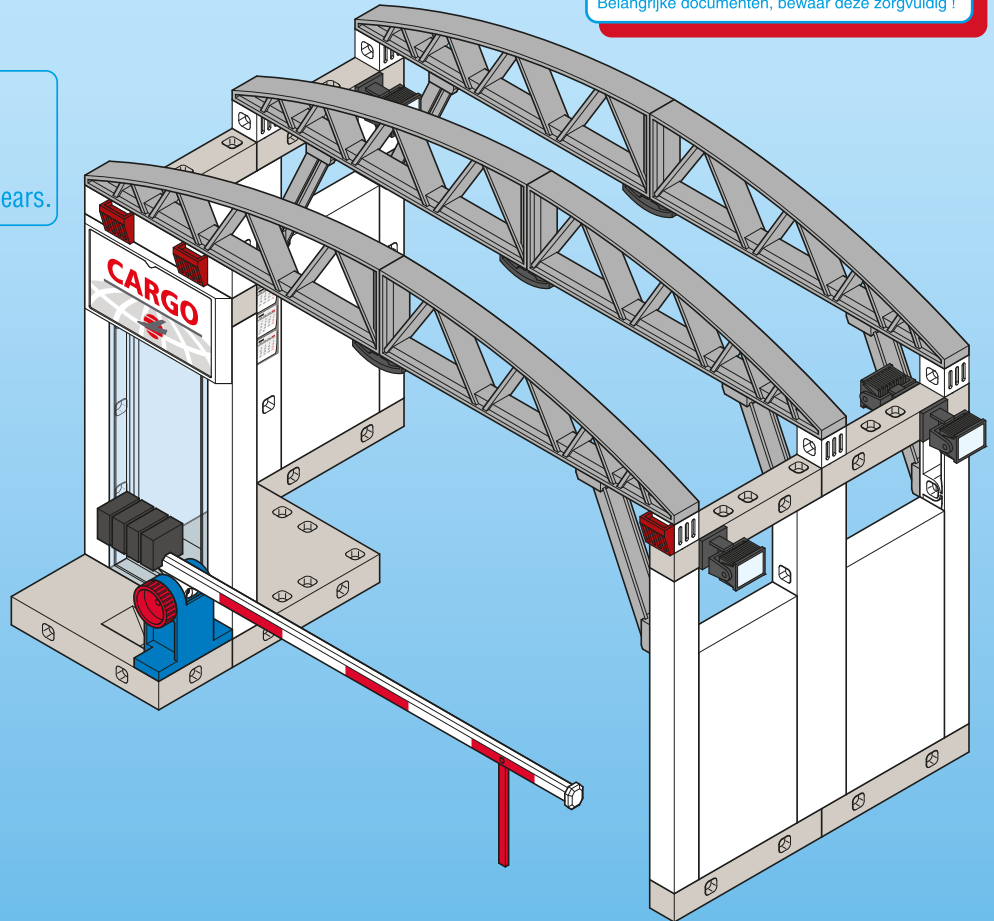


## WARNING: CHOKING HAZARD

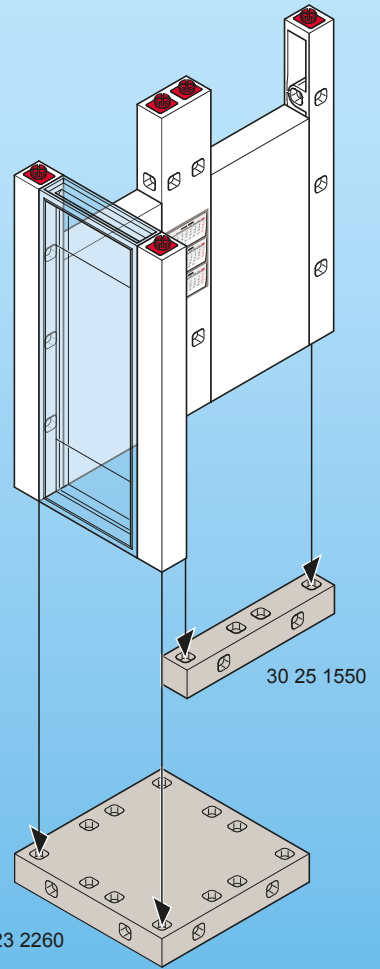
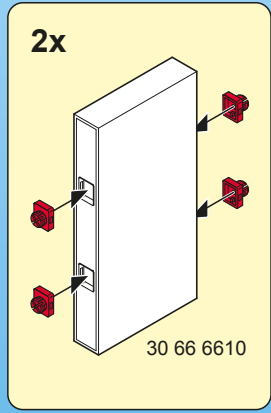
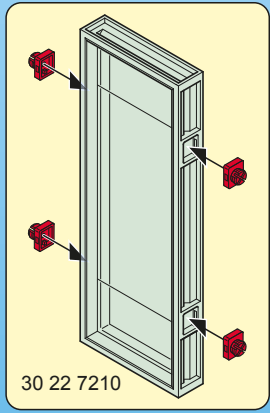
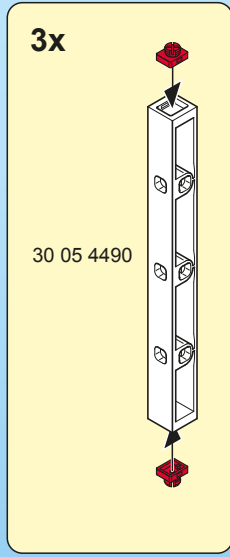
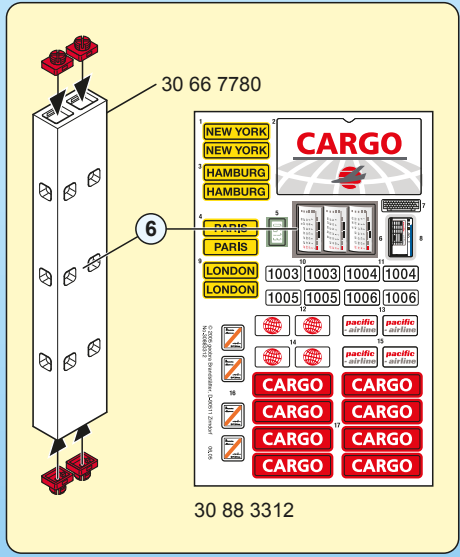
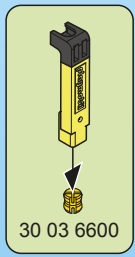
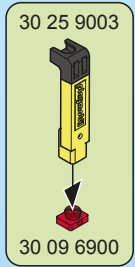
Small parts. Not for children under 3 years.

"Ne concerne que les USA"

Wichtige Unterlagen, bitte sorgfältig aufbewahren !  
Important: Please keep these instructions for future reference !  
Documents importants, à conserver soigneusement !  
Belangrijke documenten, bewaar deze zorgvuldig !



1



2

NEW YORK  
NEW YORK  
HAMBURG  
HAMBURG

**CARGO**

PARIS  
PARIS

LONDON 1003 1003 1004 1004  
LONDON 1005 1005 1006 1006

30 26 7570

2

Detailed description: This panel contains a parts list for step 2. It lists various components including destination labels (NEW YORK, HAMBURG, PARIS, LONDON), a 'CARGO' sign, and 'pacific airlines' logos. Below the list is a diagram of a white rectangular panel with two red pins being inserted into its top edge. The part number 30 26 7570 is printed below the diagram, and a circled '2' indicates the step number.

30 26 7590

30 26 7600

Detailed description: This diagram shows the assembly of part 30 26 7600. It consists of two white L-shaped beams. Yellow pins are shown being inserted into the top holes of the upper beam and the bottom holes of the lower beam. The part number 30 26 7600 is printed at the bottom left.

2x

30 27 4020

Detailed description: This diagram shows the assembly of two (2x) of part 30 27 4020. It is a grey angled bracket with a yellow pin being inserted into its top hole. The part number 30 27 4020 is printed below the diagram.

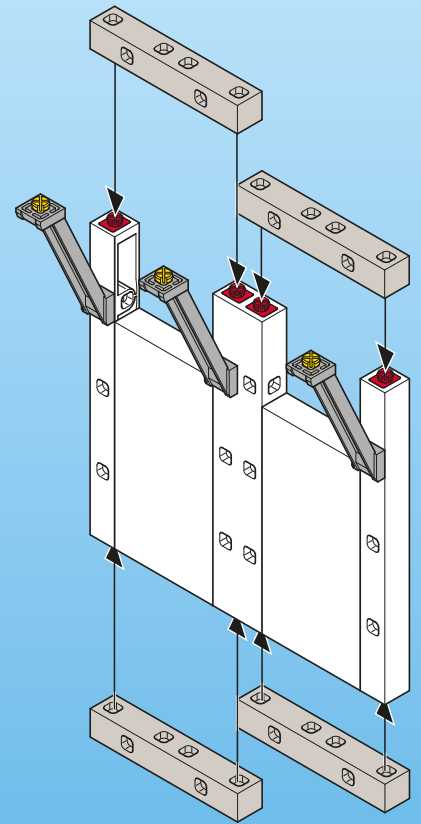
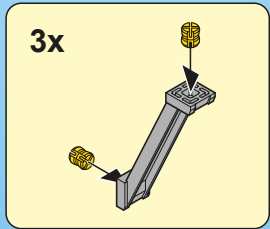
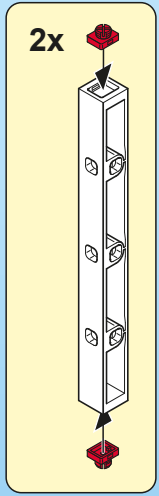
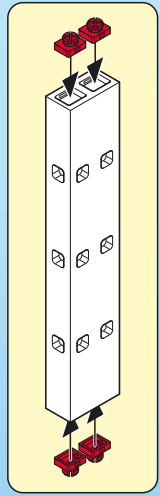
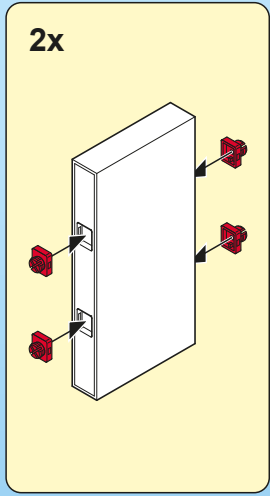
30 26 7610

Detailed description: This diagram shows the assembly of part 30 26 7610. It is a grey rectangular base with two yellow pins being inserted into its top holes. The part number 30 26 7610 is printed below the diagram.

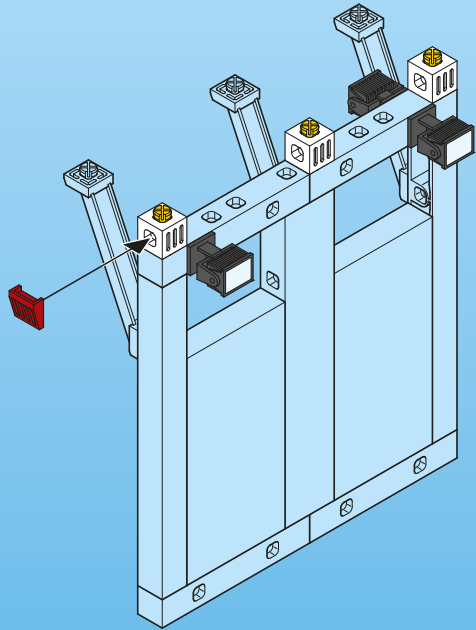
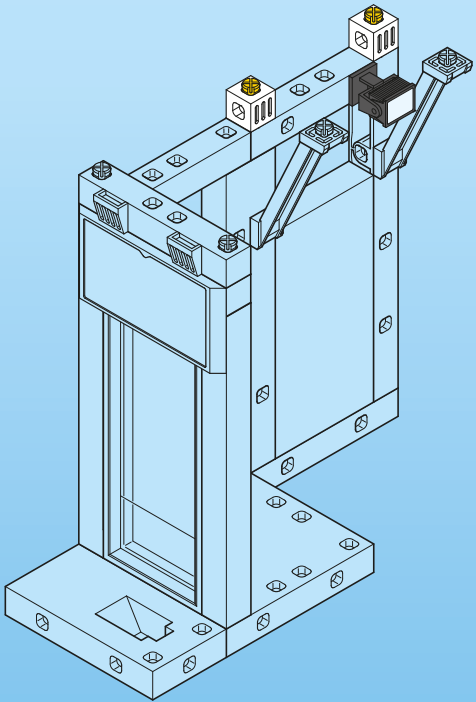
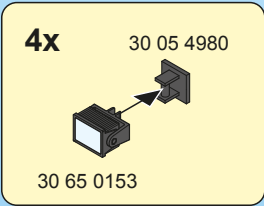
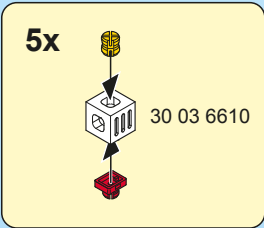
30 26 7580

Detailed description: This is the main assembly diagram for step 2. It shows a large assembly of white and grey beams. A 'CARGO' sign is attached to the top. Two red pins (part 30 26 7580) are being inserted into the top of the sign. A grey angled bracket (part 30 27 4020) is attached to the side of the assembly. The part number 30 26 7580 is printed below the diagram.

3

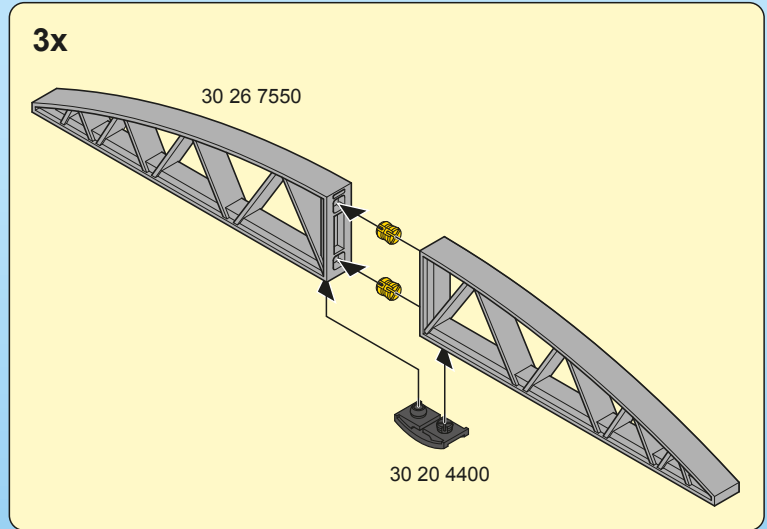
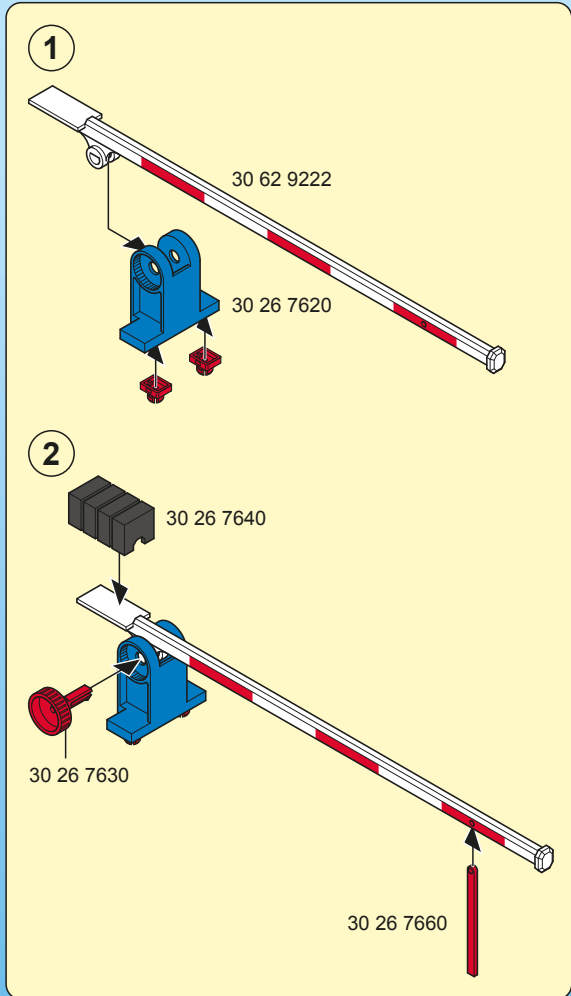


4

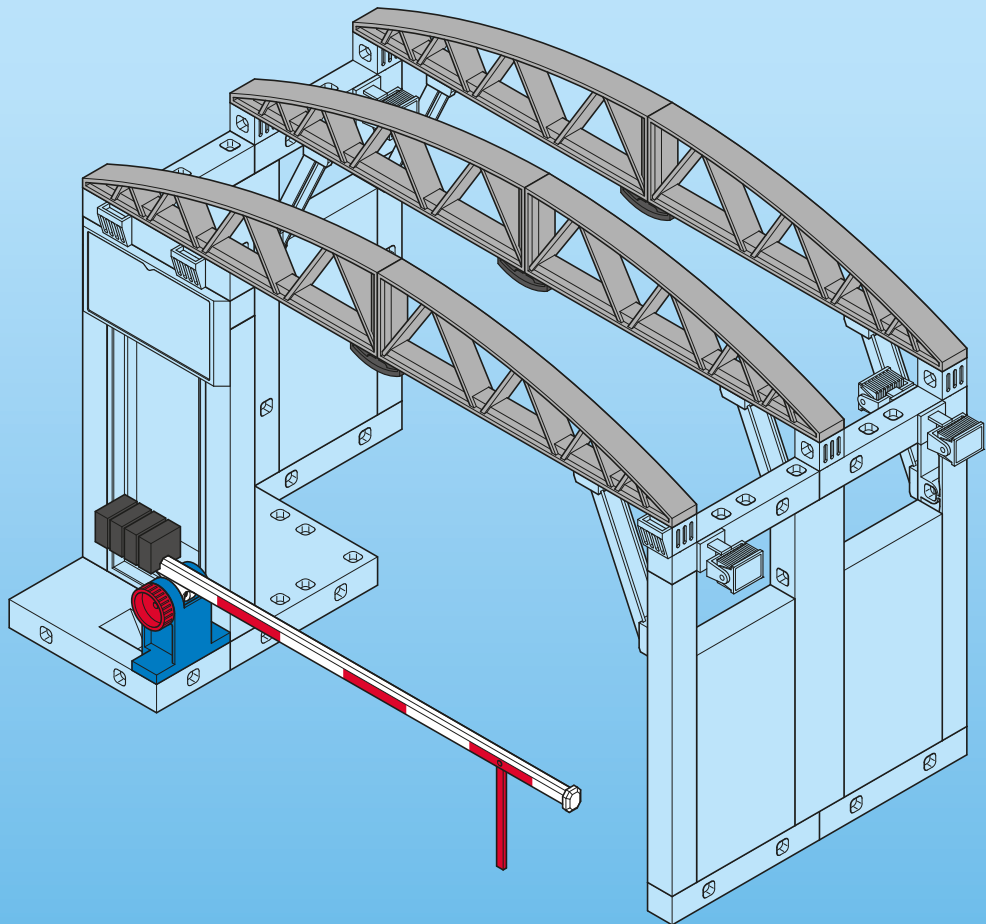


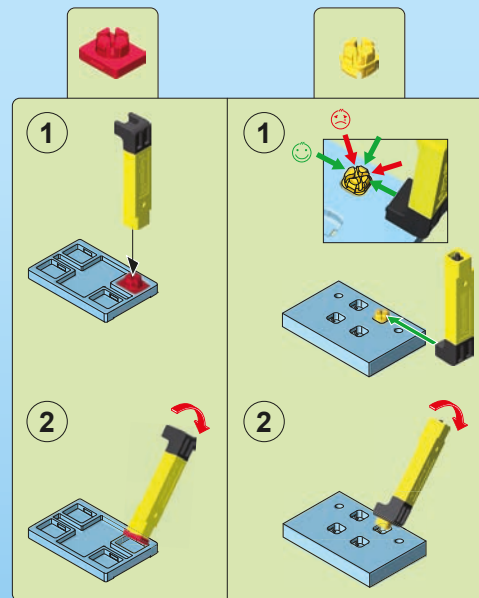
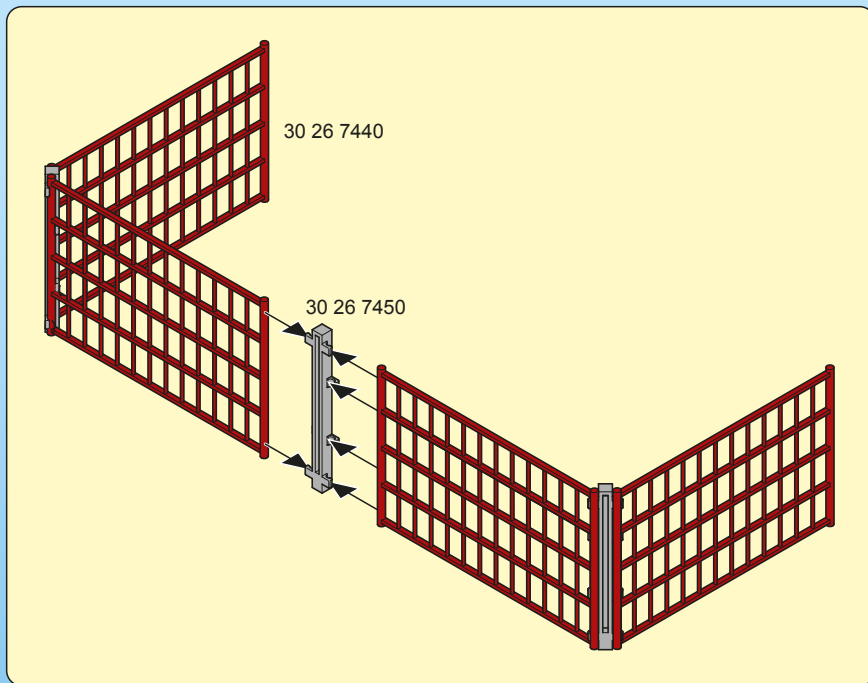
5

5



6





Serviceadressen finden Sie in allen Playmobil-Prospekten

Addresses of Customer Service Departments are shown in all Playmobil catalogues

L'adresse du service consommateurs est indiquée dans tous les catalogues Playmobil

Troverete gli indirizzi dei centri di assistenza in tutti i cataloghi Playmobil

In alle PLAYMOBIL catalogi vindt u het adres van onze klantendienst.

Las Direcciones de los Departamentos de Servicio al Consumidor se encuentran en todos los catálogos Playmobil

Η διεύθυνση του Γραφείου Εξυπηρέτησης Καταναλωτών PLAYMOBIL βρίσκεται σε όλους τους καταλόγους PLAYMOBIL.

pronounce: plāy-mō-bēel