

# playmobil®

## 5619

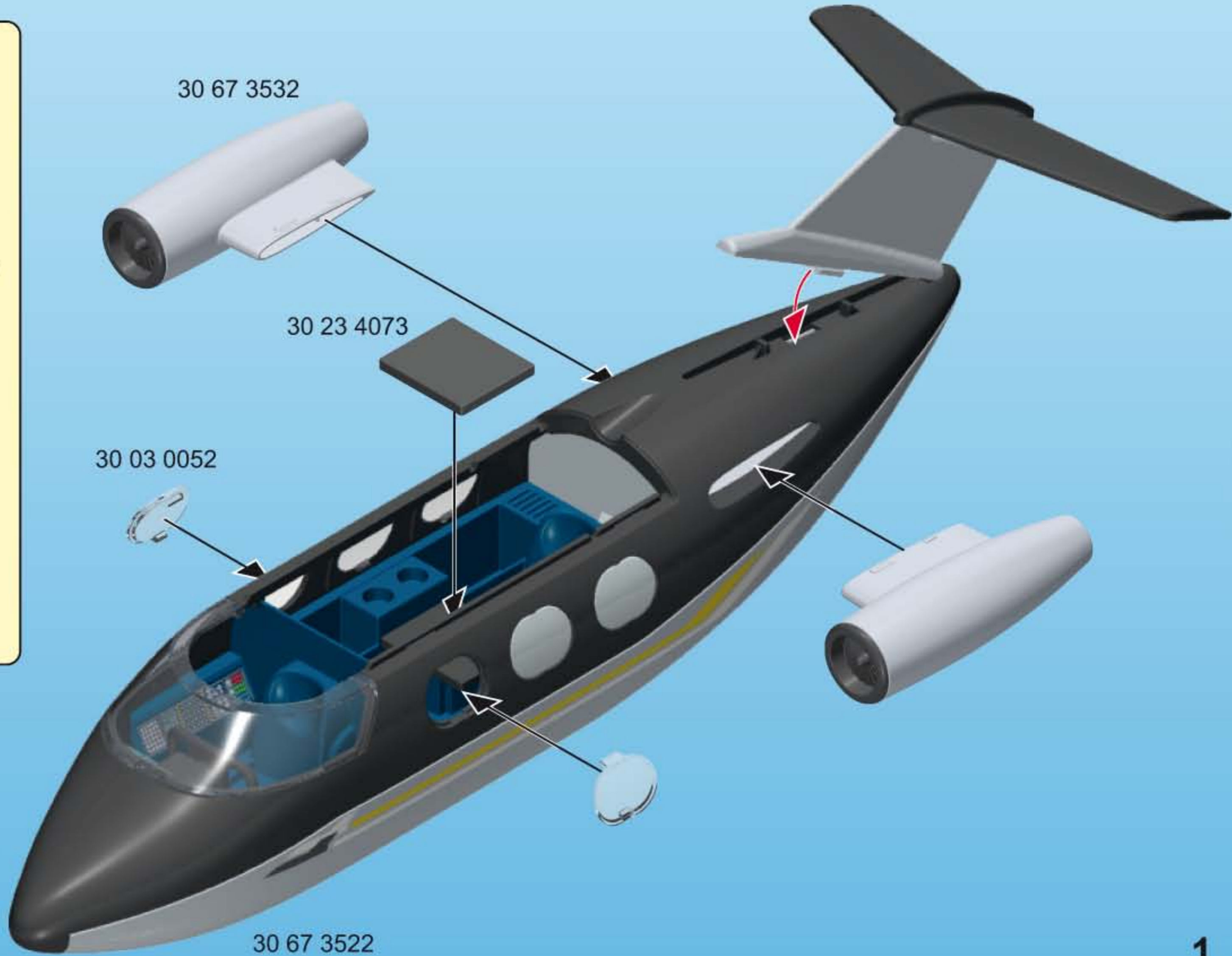
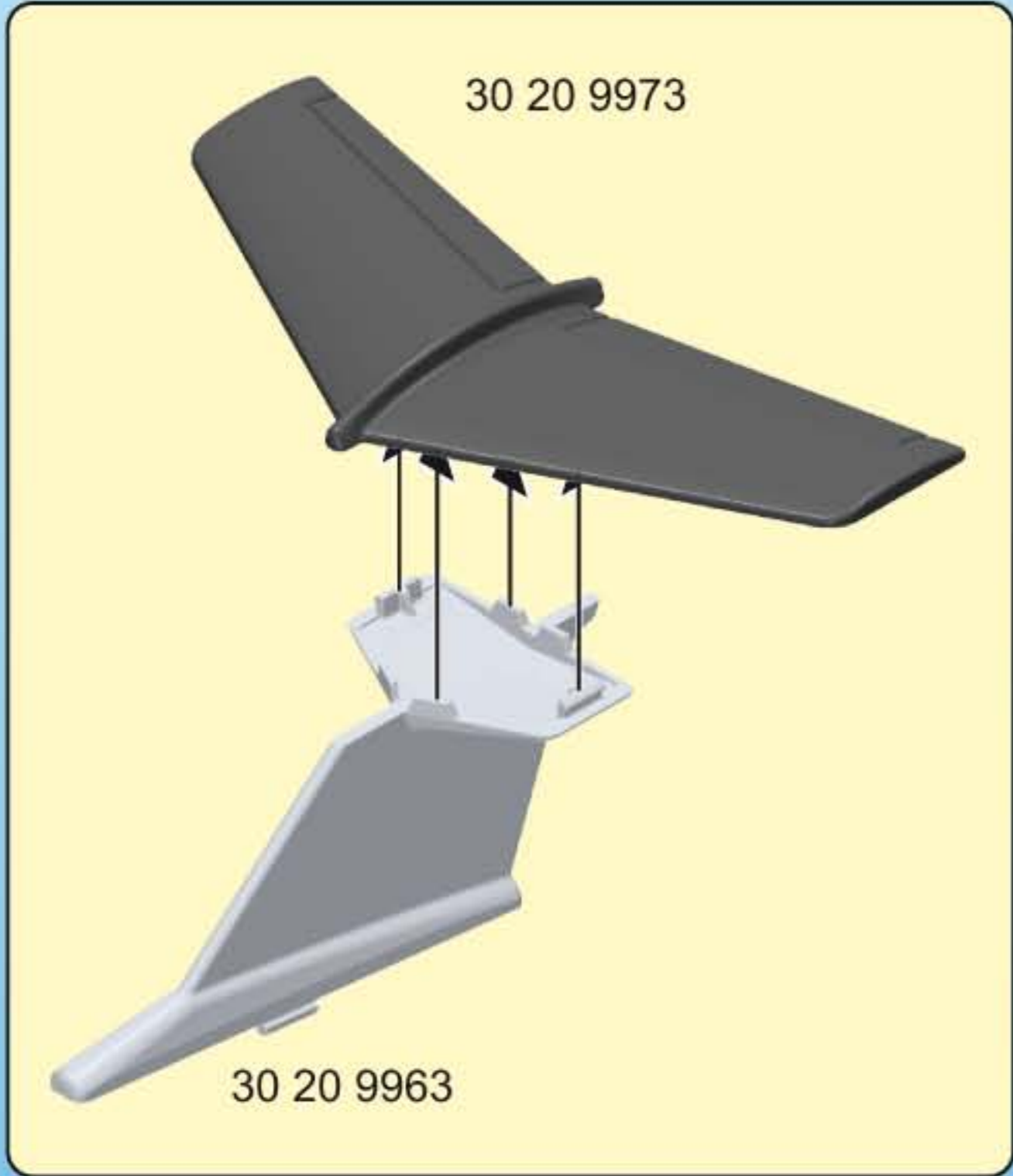


**WARNING:**  
**CHOKING HAZARD**  
Small parts. Not for children under 3 years.

"Ne concerne que les USA"

Wichtige Unterlagen, bitte sorgfältig aufbewahren!  
Important: Please keep these instructions for future reference!  
Documents importants, à conserver soigneusement!  
Belangrijke documenten, bewaar deze zorgvuldig!

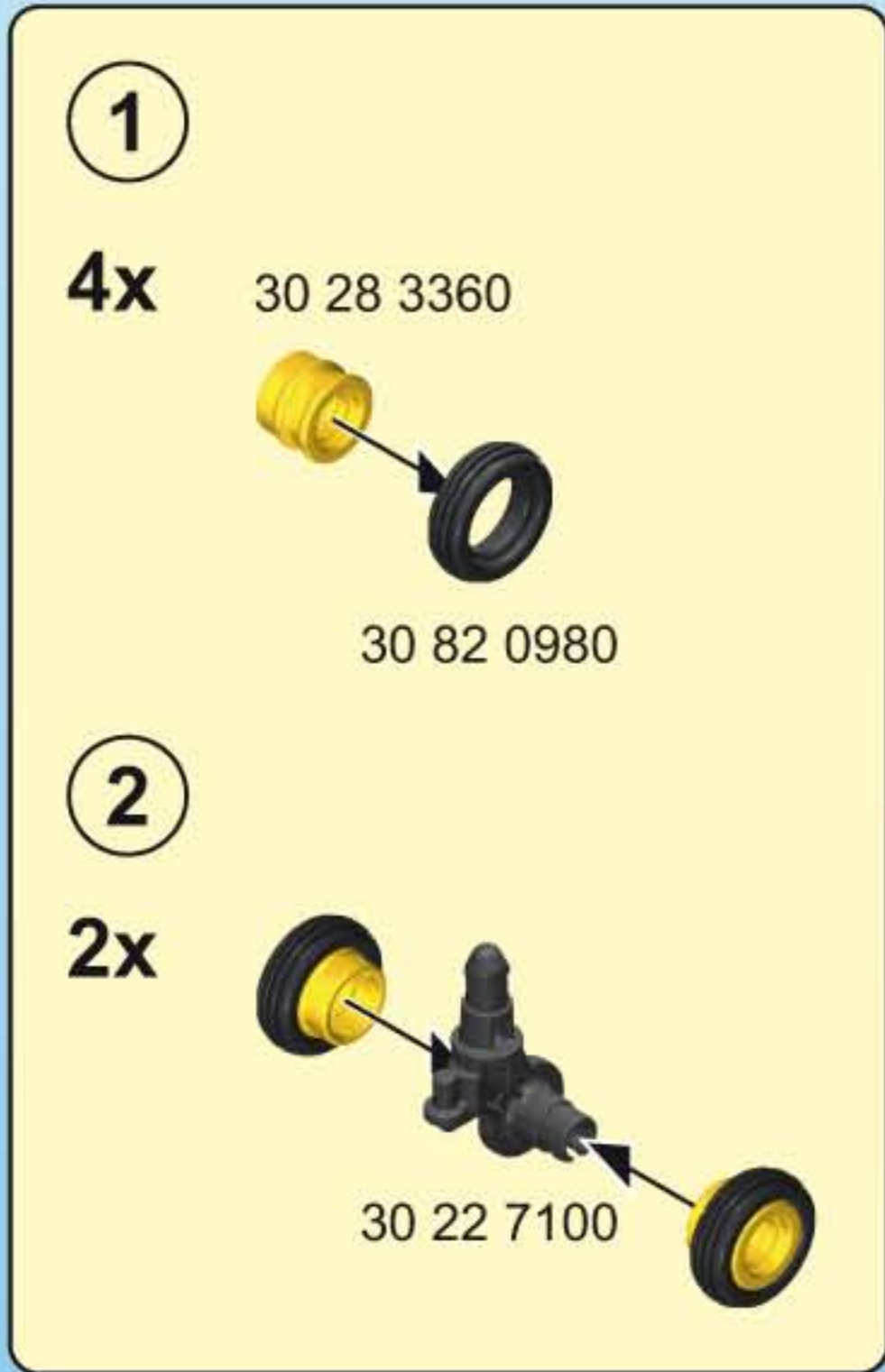
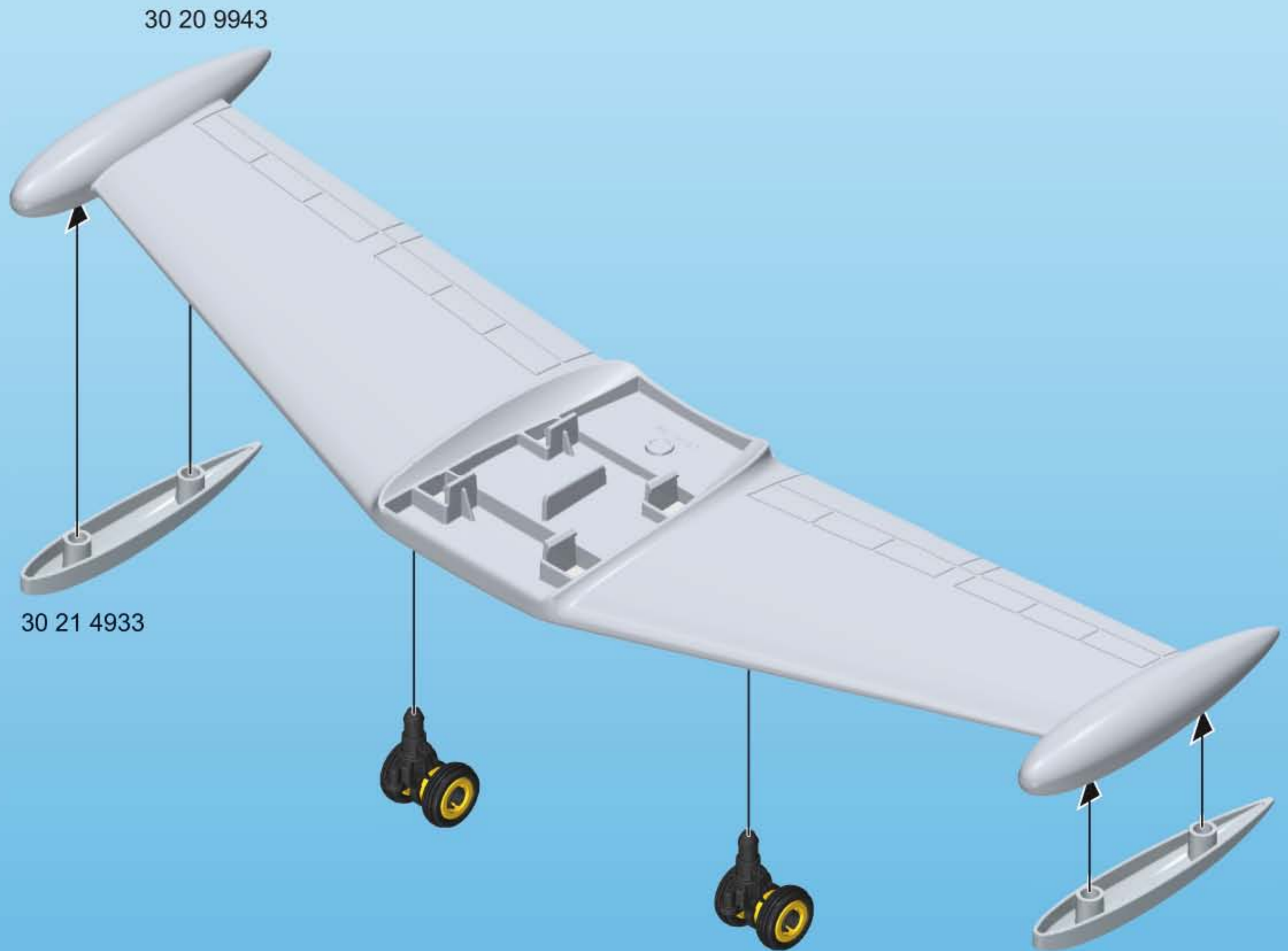
1



2

①  
4x 30 28 3360  
30 82 0980


②  
2x 30 22 7100

A yellow rectangular box containing two sub-steps. Step 1 shows a yellow bush (30 28 3360) being inserted into a black ring (30 82 0980). Step 2 shows a black axle assembly (30 22 7100) with two yellow wheels being inserted into a grey component.

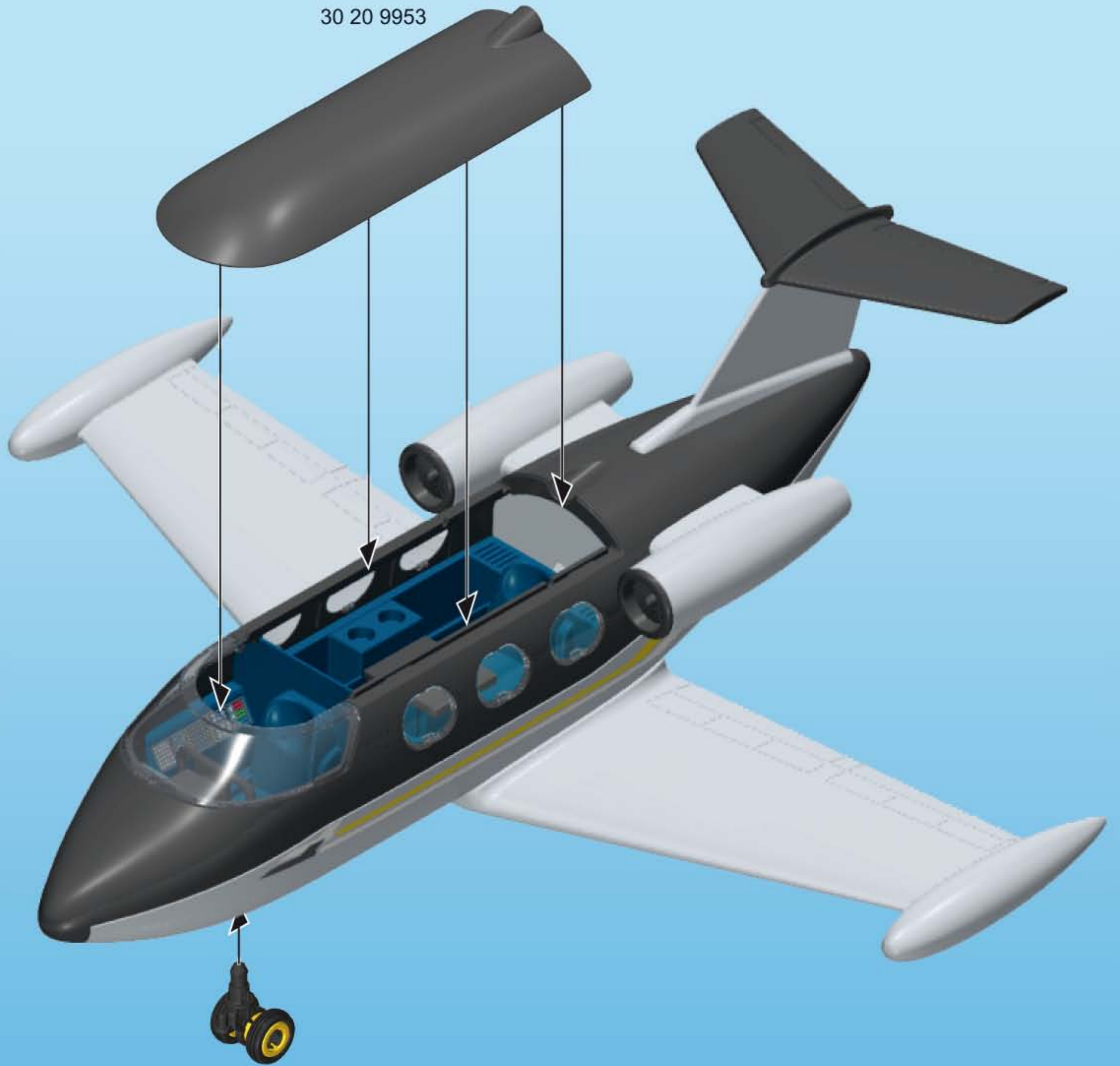

3

30 20 9953

①  
2x



②



30 23 7880



30 25 5700



30 23 7890

30 63 3914



30 00 4213



30 00 4223



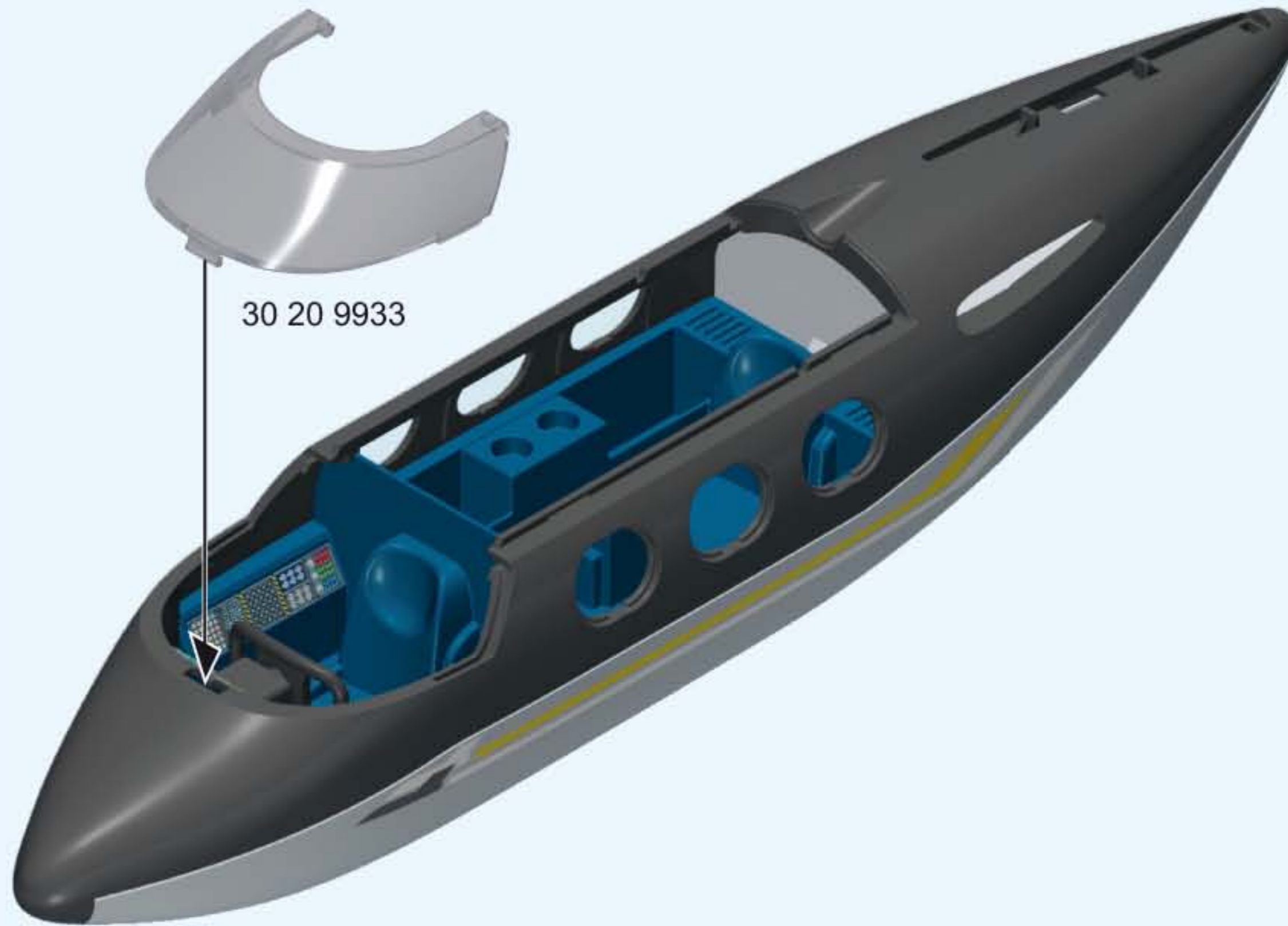
30 14 7140



2x 30 29 1740



30 20 9933



Serviceadressen finden Sie in allen Playmobil-Prospekten

Addresses of Customer Service Departments are shown in all Playmobil catalogues

L'adresse du service consommateurs est indiquée dans tous les catalogues Playmobil

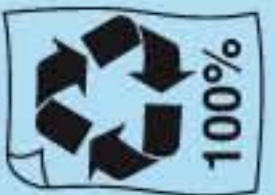
Troverete gli indirizzi dei centri di assistenza in tutti i cataloghi Playmobil

In alle PLAYMOBIL catalogi vindt u het adres van onze klantendienst.

Las Direcciones de los Departamentos de Servicio al Consumidor se encuentran en todos los catálogos Playmobil

Η διεύθυνση του Γραφείου Εξυπηρέτησης Καταναλωτών PLAYMOBIL βρίσκεται σε όλους τους καταλόγους PLAYMOBIL.

pronounce: plāy-mō-bēēl



www.playmobil.com

© 2014 geobra Brandstätter Stiftung & Co.KG  
Brandstätterstr. 2-10  
90513 Zirndorf, Germany.  
No. 30 80 9573 06.15