

playmobil®

5542



**WARNING:
CHOKING HAZARD**

Small parts. Not for children under 3 years.

"Ne concerne que les USA"



Wichtige Unterlagen, bitte sorgfältig aufbewahren!
Important: Please keep these instructions for future reference!
Documents importants, à conserver soigneusement!
Belangrijke documenten, bewaar deze zorgvuldig!

Serviceadressen finden Sie in allen Playmobil-Prospekten

Addresses of Customer Service Departments are shown in all Playmobil catalogues

L'adresse du service consommateurs est indiquée dans tous les catalogues Playmobil

Troverete gli indirizzi dei centri di assistenza in tutti i cataloghi Playmobil

In alle PLAYMOBIL catalogi vindt u het adres van onze klantendienst.

Las Direcciones de los Departamentos de Servicio al Consumidor se encuentran en todos los catálogos Playmobil

Η διεύθυνση του Γραφείου Εξυπηρέτησης Καταναλωτών PLAYMOBIL βρίσκεται σε όλους τους καταλόγους PLAYMOBIL.

pronounce: plāy-mō-bēēl

1

30 82 2263

30 21 2003

30 21 1993

30 61 8940

© 2014 geobra Brandstätter GmbH & Co. KG
Brandstätterstraße 2-10 No. 30822263
90513 Zindorf/Germany 89.12

This block contains a parts list and assembly diagram for step 1. The parts list includes:

- Part 30 82 2263: A rectangular orange and white sticker with a blue circular logo.
- Part 30 21 2003: A grey rotor hub with four arms, each ending in a grey rotor blade with red and white stripes.
- Part 30 21 1993: A grey rotor hub with two arms, each ending in a grey rotor blade with red and white stripes.
- Part 30 61 8940: A red pin with a rounded head and a small hole.

The assembly diagram shows the rotor hub (30 21 2003) being attached to the fuselage of the helicopter. The rotor blades are numbered 4, and the fuselage is numbered 3. The red pin (30 61 8940) is shown being inserted into the rotor hub.

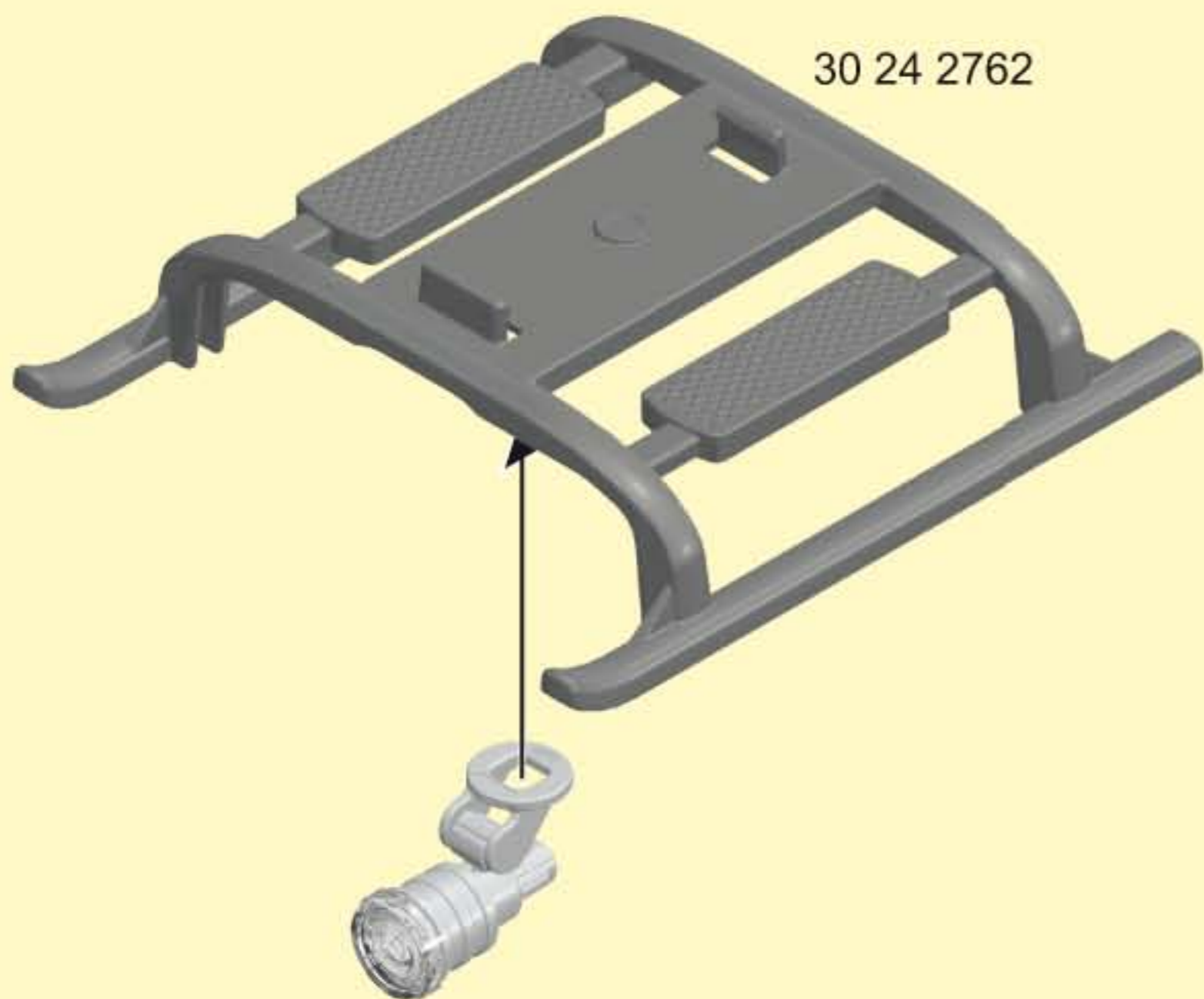


30 61 8940

This block shows a close-up of the red pin (30 61 8940) being used in the assembly. The pin is shown in two orientations: one with the rounded head facing up and one with the rounded head facing down.

2

2





1



30 20 8723

2



30 22 5902



30 60 3612



30 04 0240

30 89 3852

30 64 4012



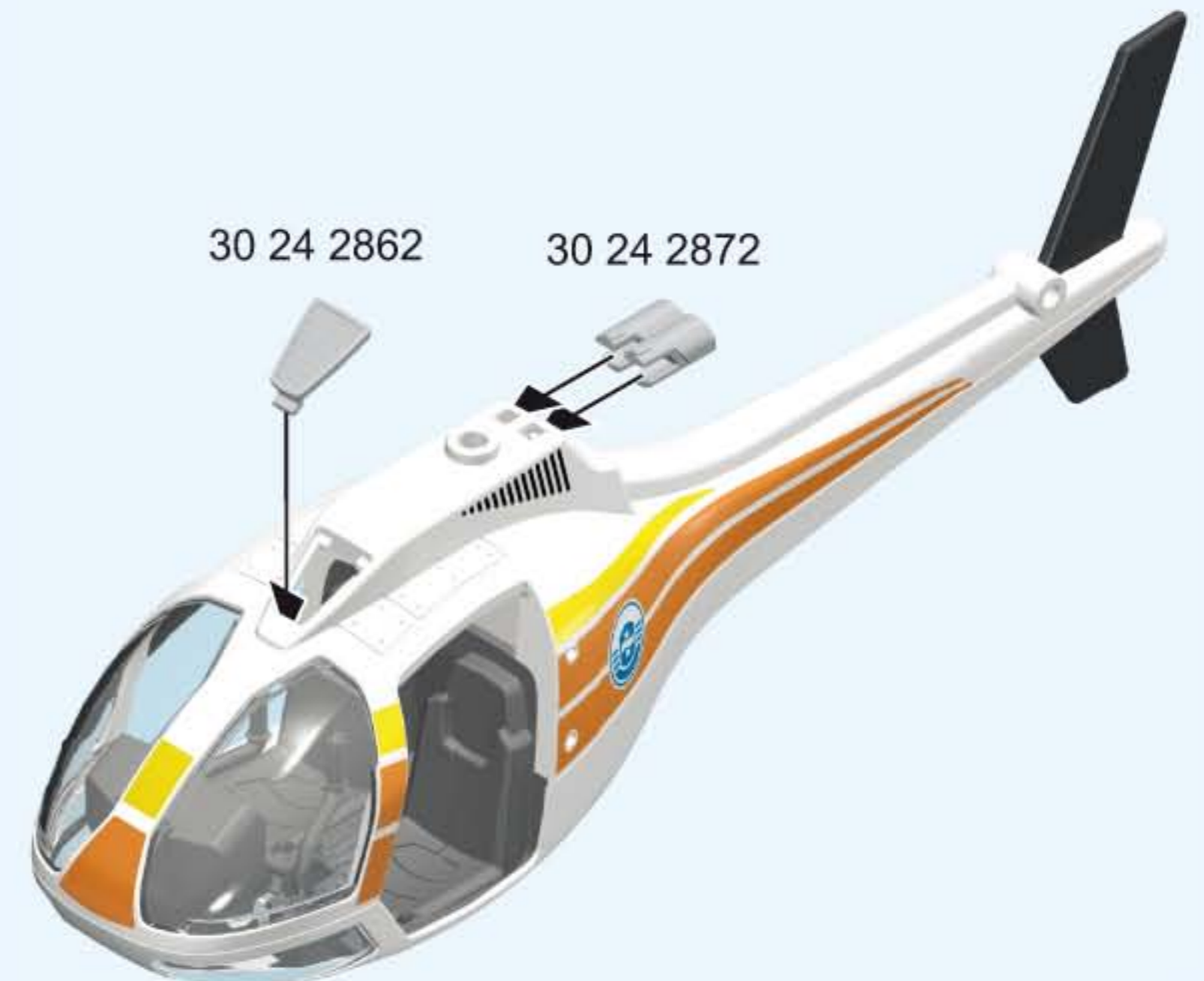
30 26 4210



30 00 3943

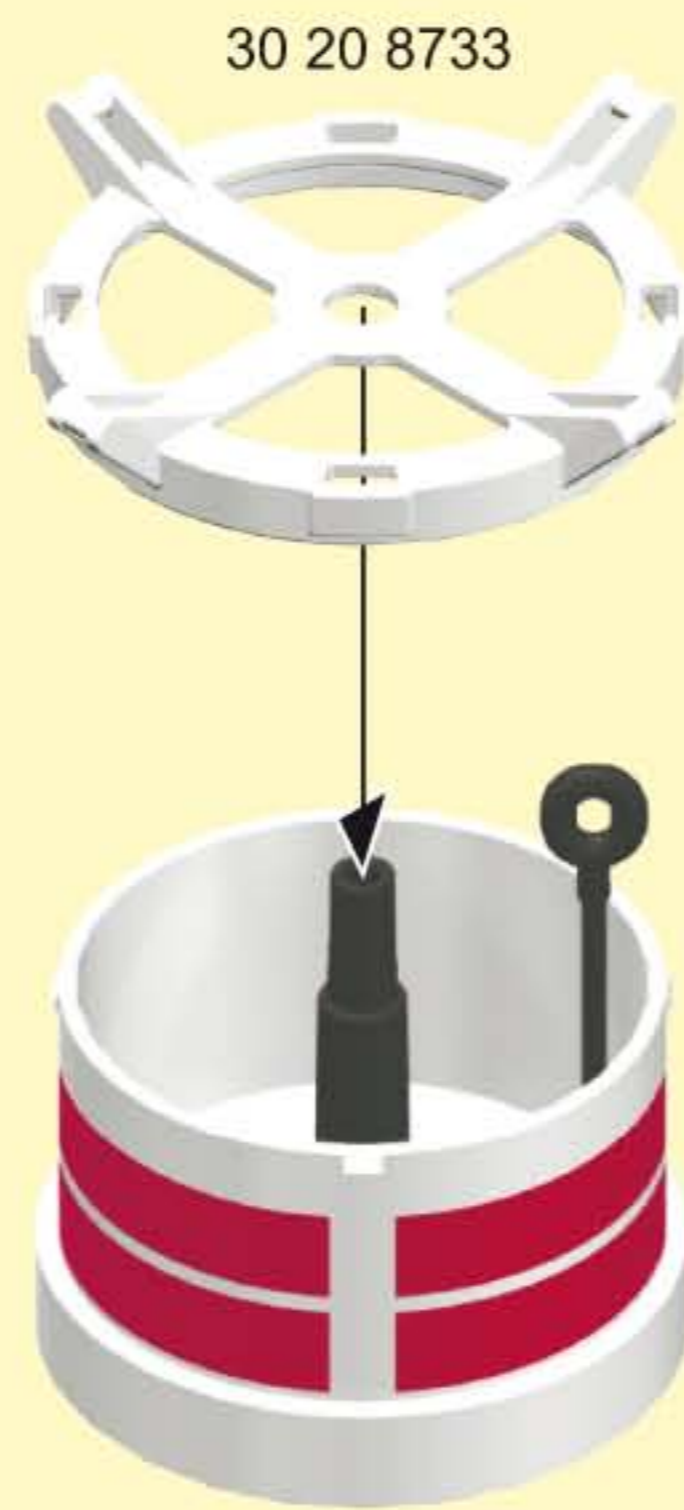


30 00 3953



30 24 2862

30 24 2872



D A CH L B Nur Trinkwasser verwenden. Nach dem Spielen austrocknen lassen.

USA GB CDN M IRL Use only tap water. Dry thoroughly after play.

F CDN B L CH N'utiliser que de l'eau potable. Faire sécher après chaque utilisation.

E MEX Utilizar solamente agua potable. Dejar secar antes de guardar.

NL B Enkel drinkbaar water gebruiken. Na het spelen laten drogen.

I CH Usare solo acqua potabile. Asciugare bene dopo ogni uso.

P Utilizar somente água potável. Deixar secar antes de guardar.

DK Anvend kun drikkevand. Lad det tørre ud når du er færdig med at lege.

N Kun drikkevann skal benyttes. Tørk opp etter at leken er ferdig.

S FIN Använd endast dricksvatten. Låt torka efter användandet.

FIN Käytä ainoastaan juomavettä. Anna kuivua leikin jälkeen.

H Kérjük kizárólag ivóvizet használgjon! Játék után ajánlott a termék kiszártása!

CZ Používat jen pitnou vodu. Po hraní nechat vyschnout.

EST Kasutada üksnes joogivett! Mängimise järel kuivatada!

LV Izmantot tikai dzeramo ūdeni. Pēc spēlēšanās ļaut nožūt.

LT Naudokite tik geriamąjį vandenį. Pažaidus, išdžiovinkite.

SLO V igračo vlivajte le pitno vodo. Po igri naj se igrača posuši.

SK Používať iba pitnú vodu. Po hre nechať vyschnúť.

PL Używaj tylko wodę pitną. Po zabawie pozostaw do wyschnięcia.

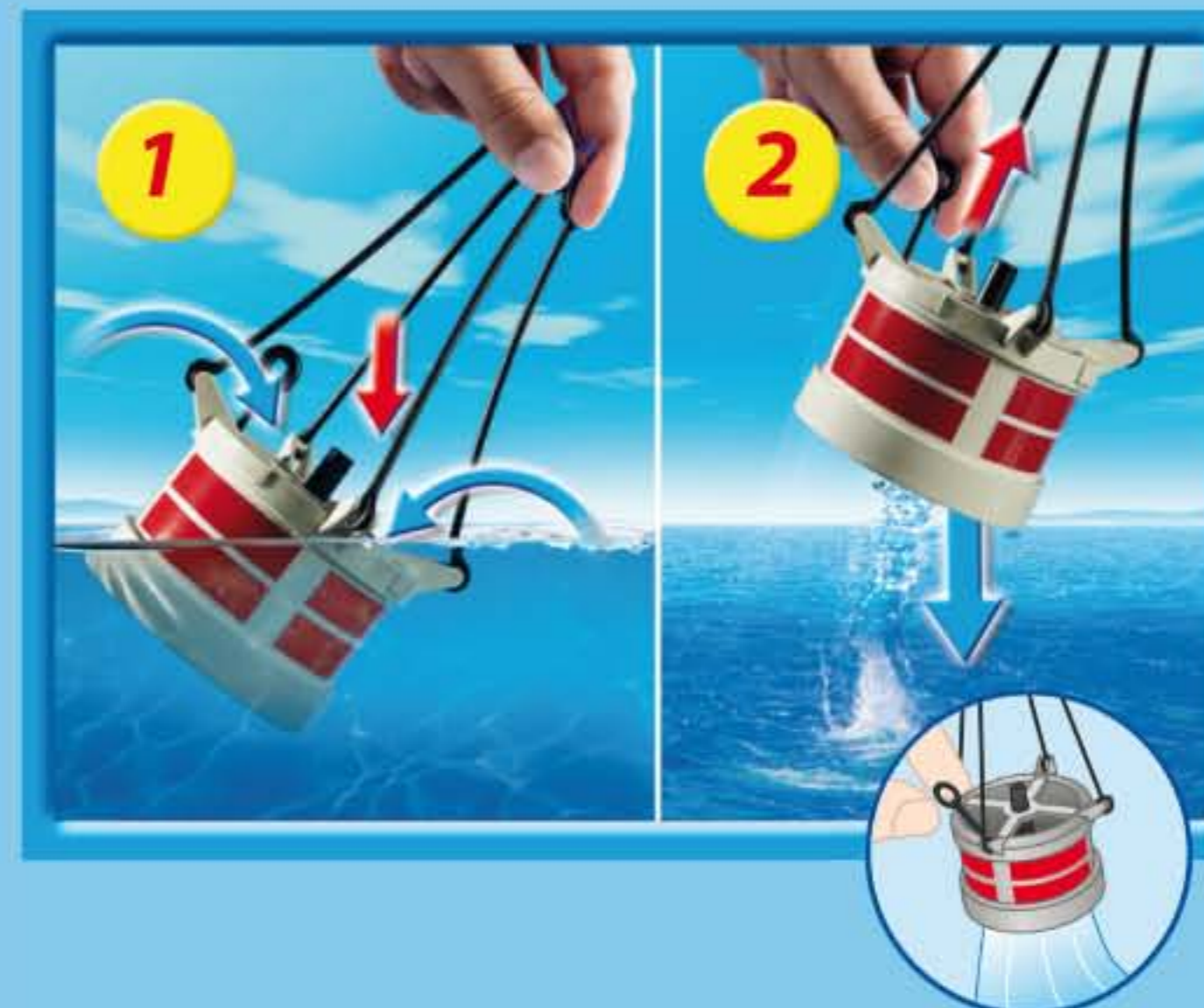
TR CY Sadece içme suyu kullanınız. Oyundan sonra kurumaya bırakın.

GR CY Χρησιμοποιείστε μόνο νερό βρύσης. Μόλις τελειώσετε, αφήστε το παιχνίδι να στεγνώσει εντελώς.

RO Se folosește doar apă potabilă. După joacă se lasă să se usuce.

BG Използвайте само питейна вода. След игра оставете да изсъхне.

CN 仅使用饮用水。玩耍后要干燥。



www.playmobil.com

© 2013 geobra Brandstätter GmbH & Co.KG
Brandstätterstr. 2-10
90513 Zirndorf, Germany.
No. 30 82 3273 10.13