

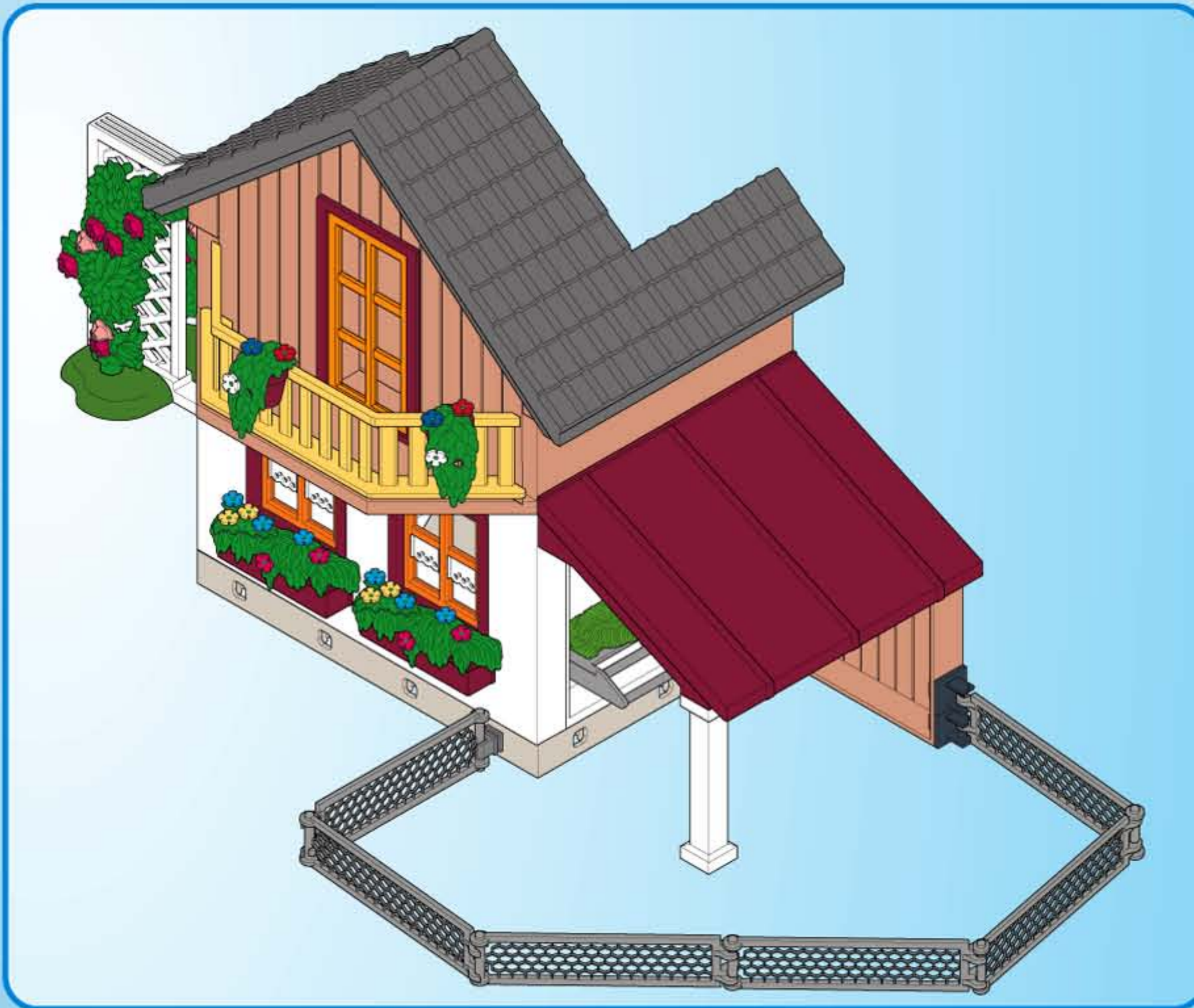
Wichtige Unterlagen, bitte sorgfältig aufbewahren!
Important documents keep carefully!
Documents importants conservez avec soin!
Belangrijke documenten, bewaar deze zorgvuldig!



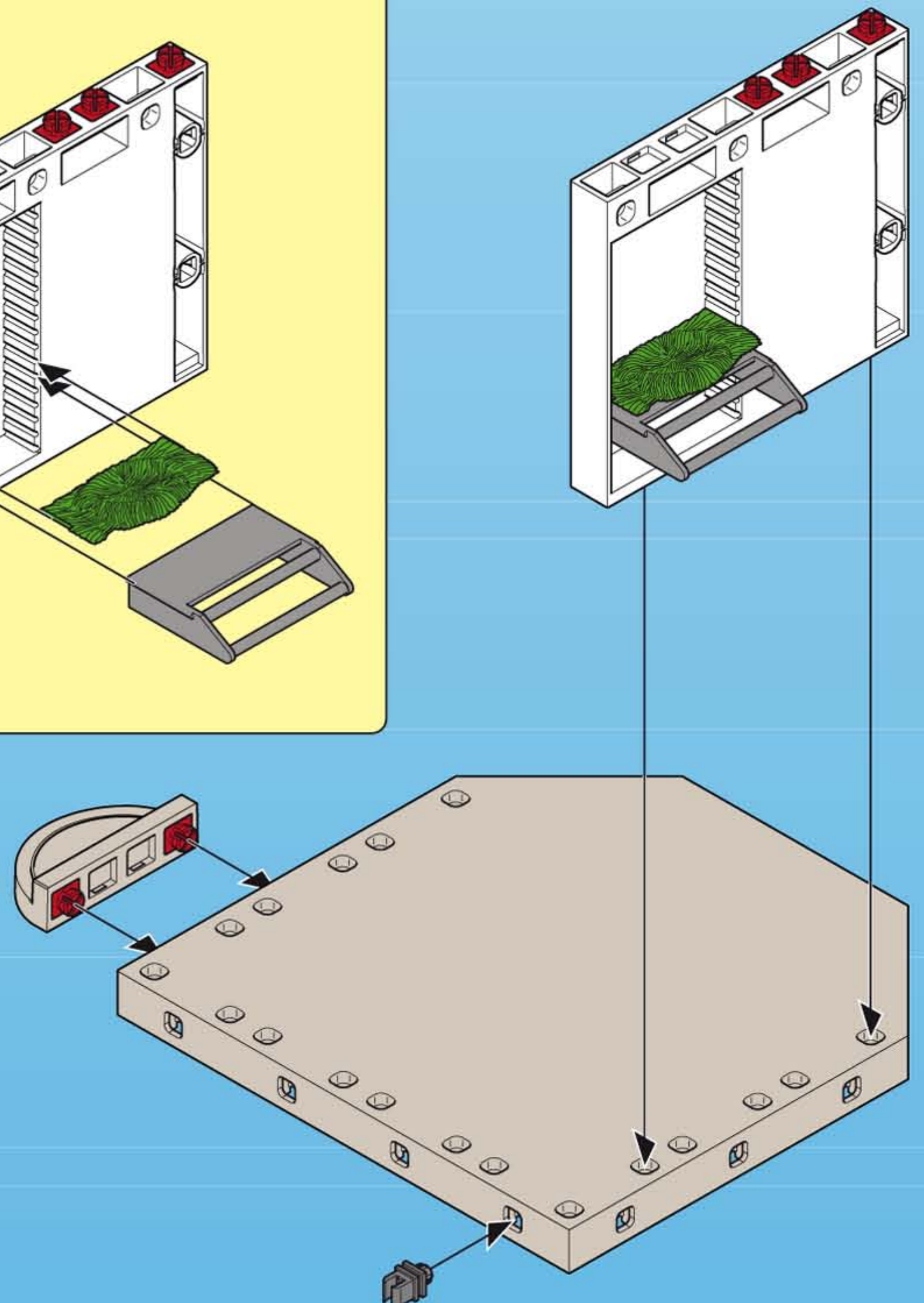
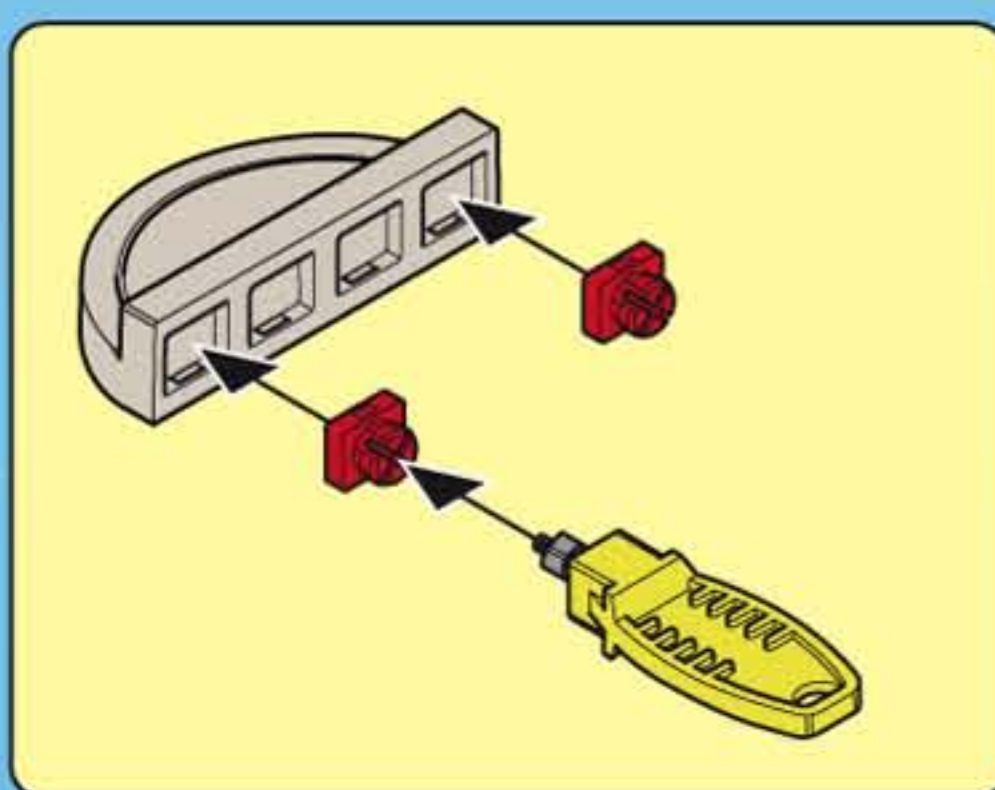
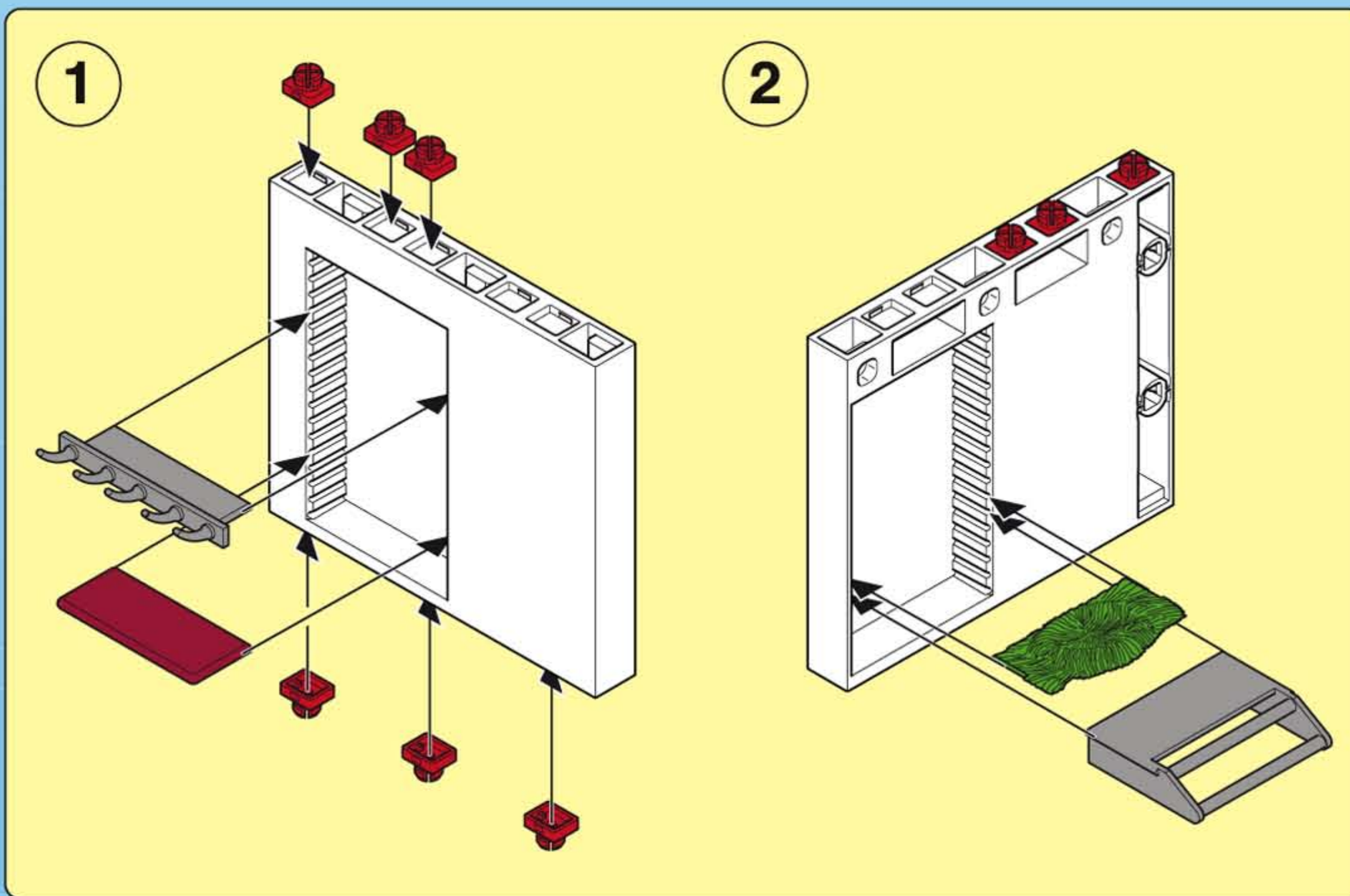
WARNING:
CHOKING HAZARD

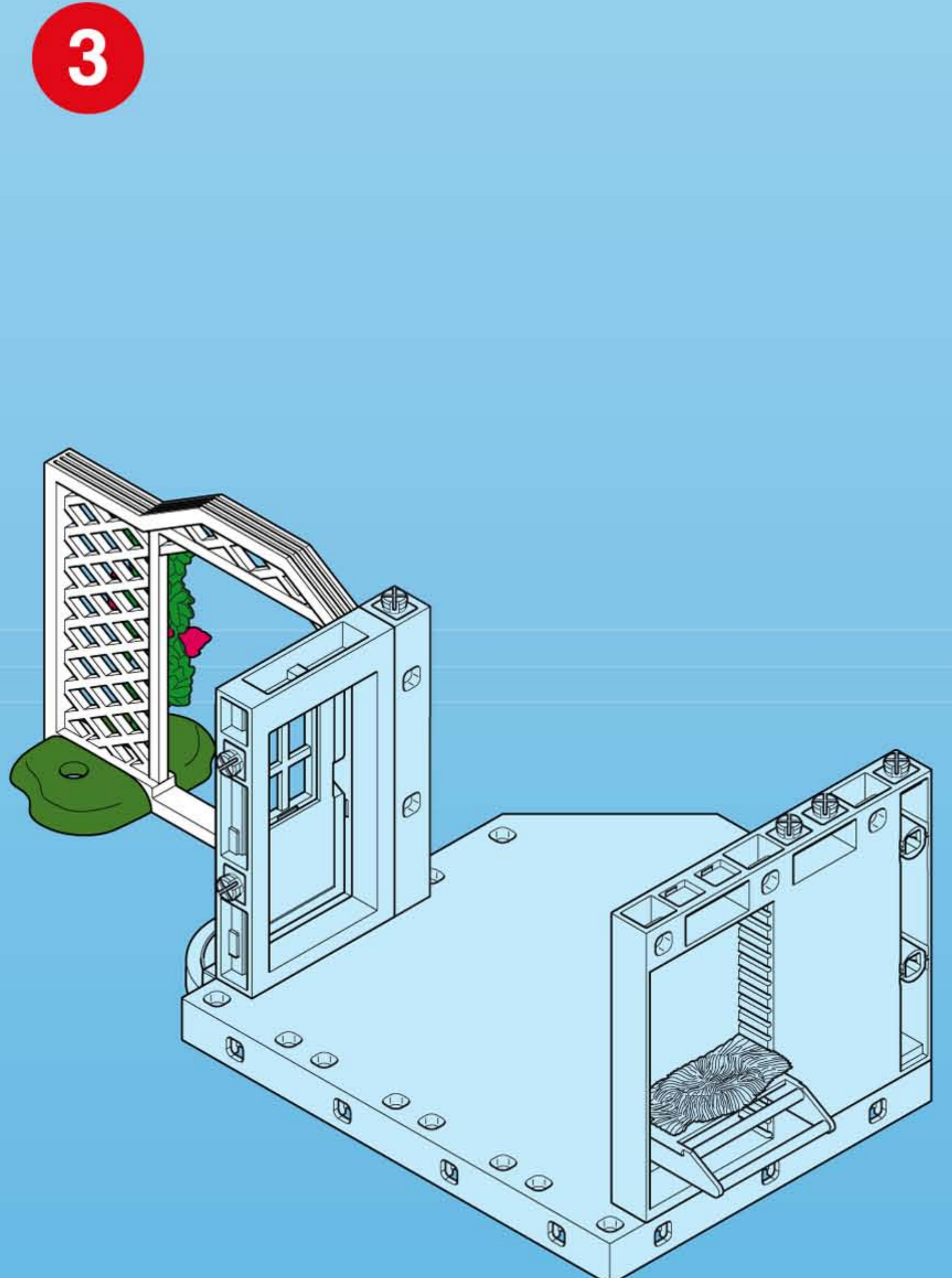
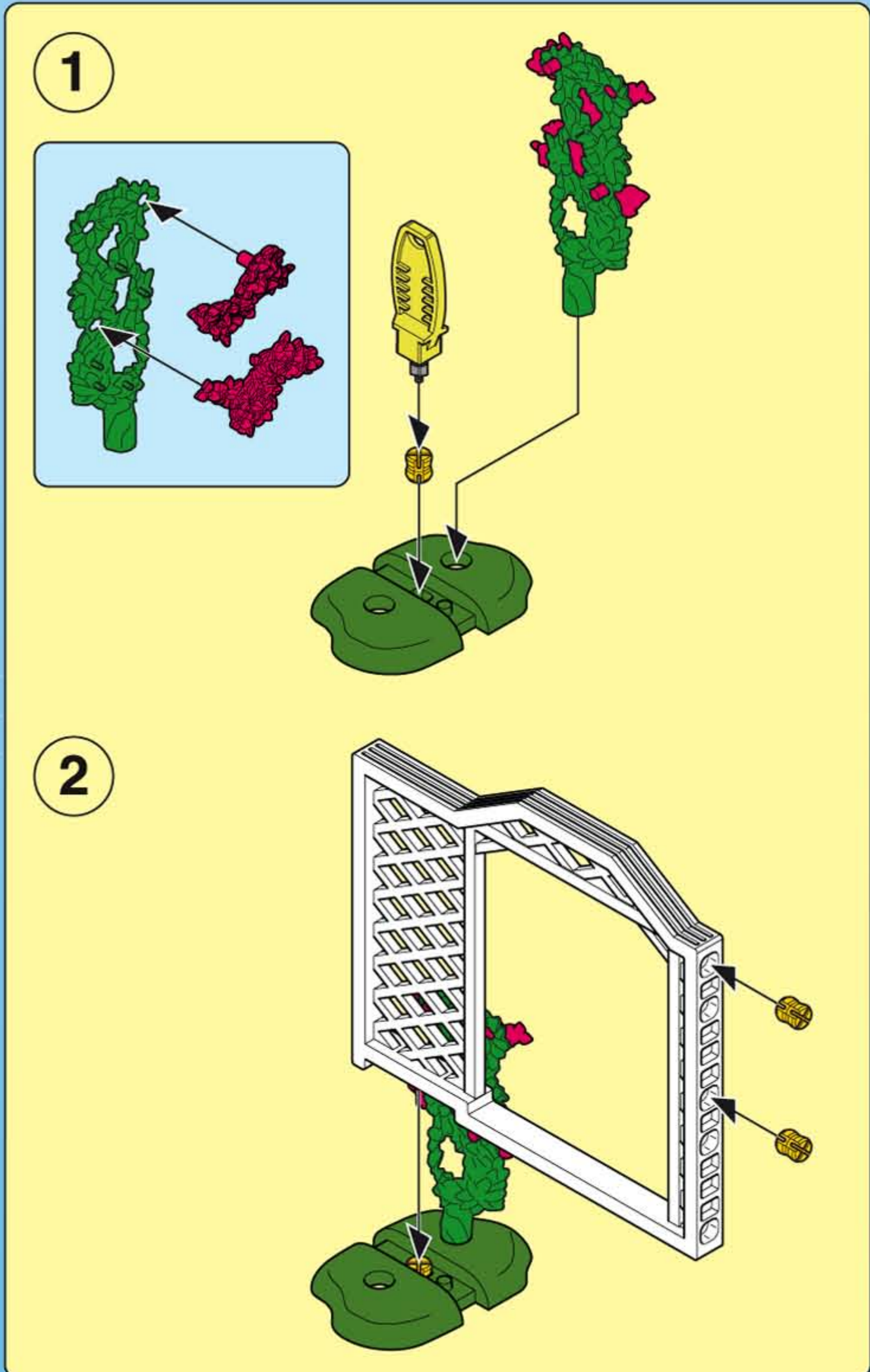
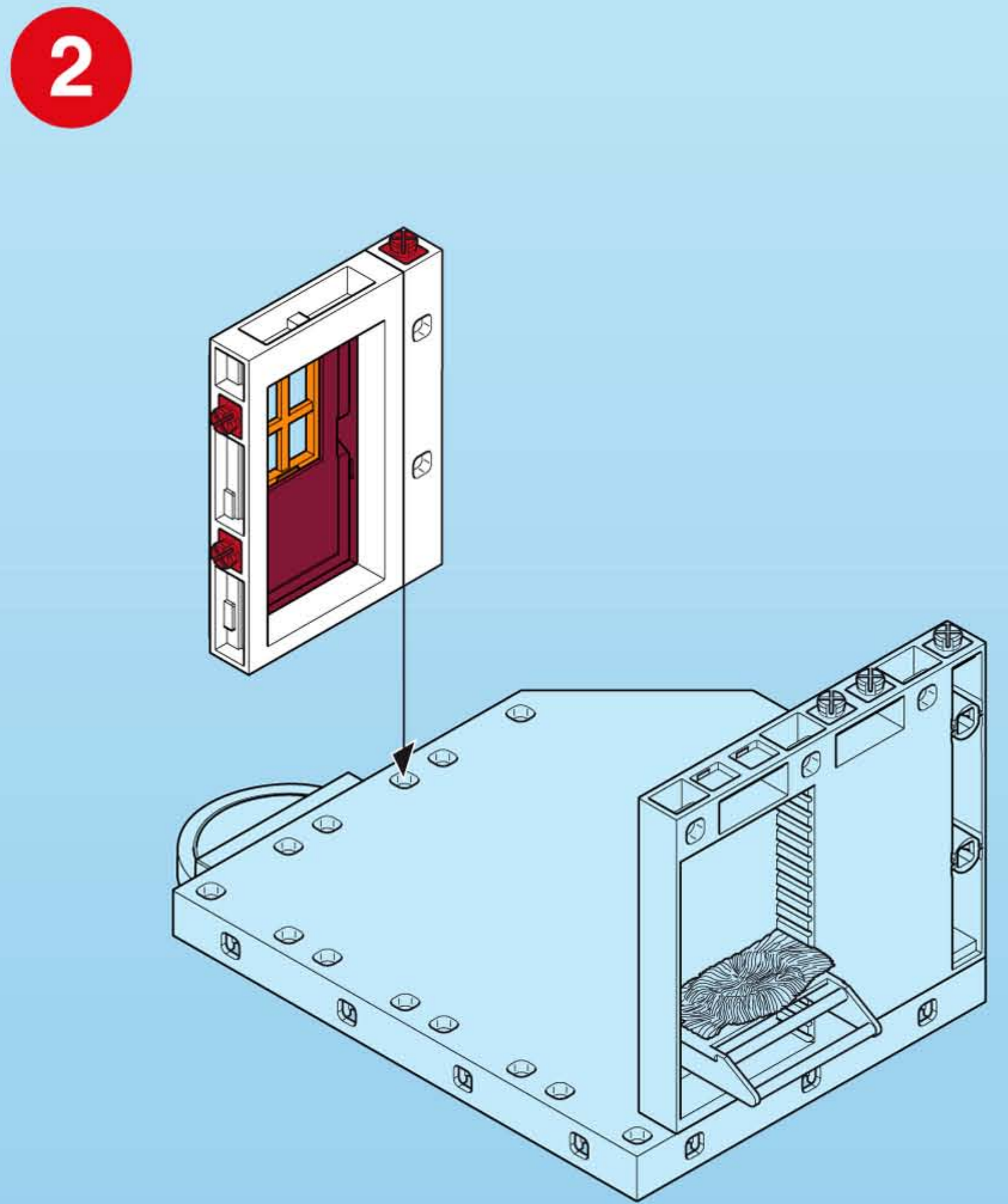
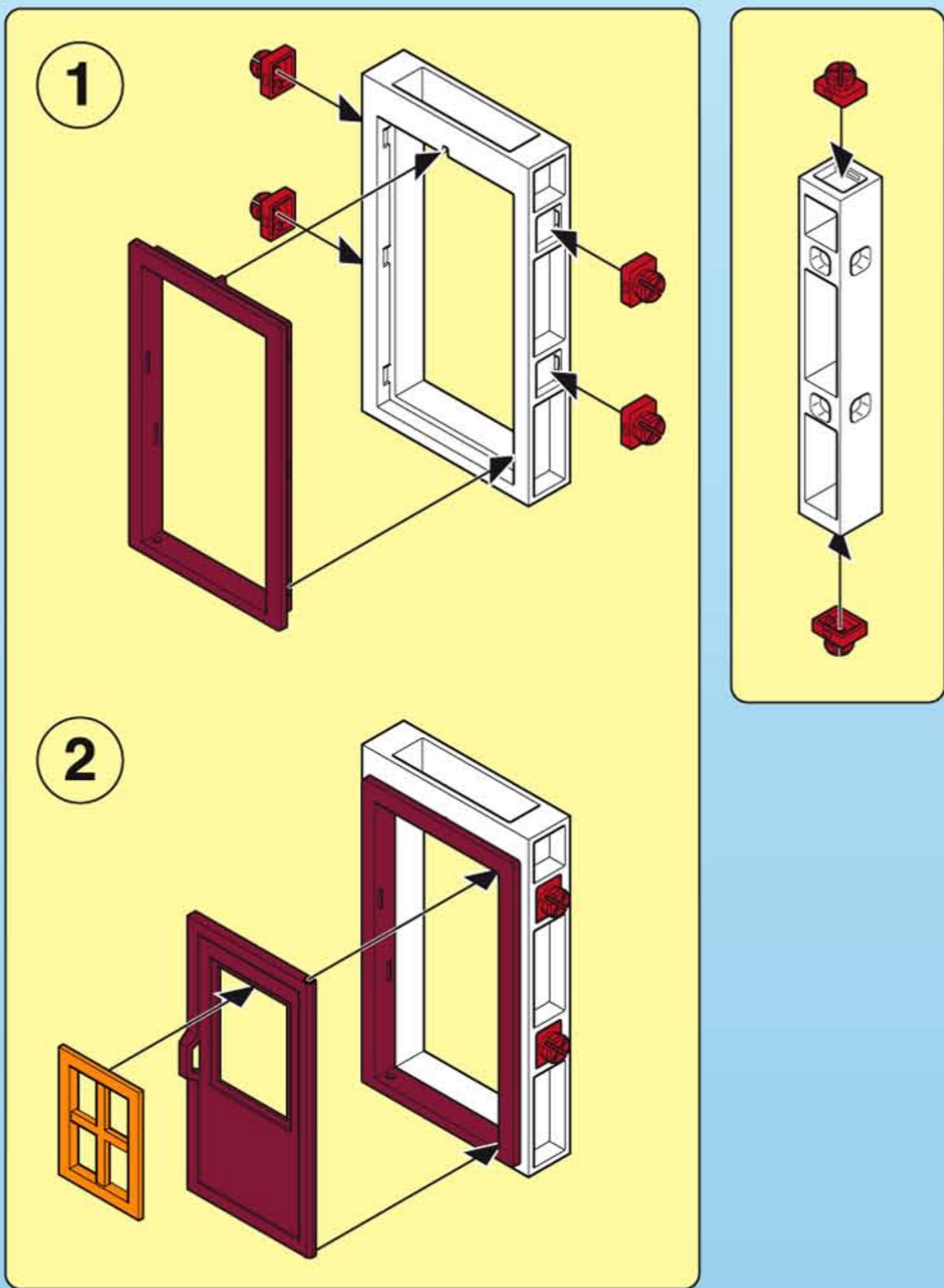
Small parts. Not for children under 3 years.

"Ne concerne que les USA"

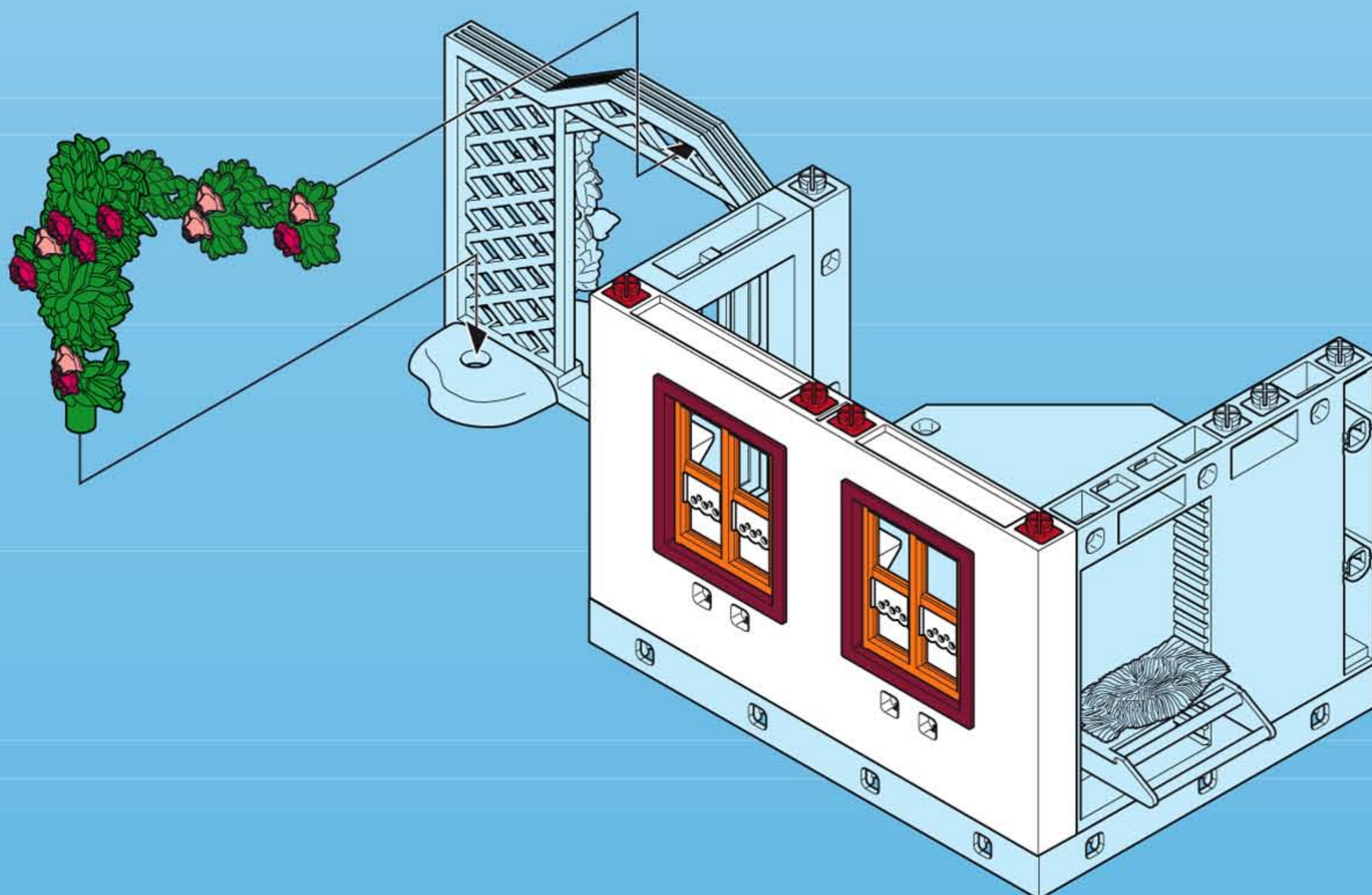
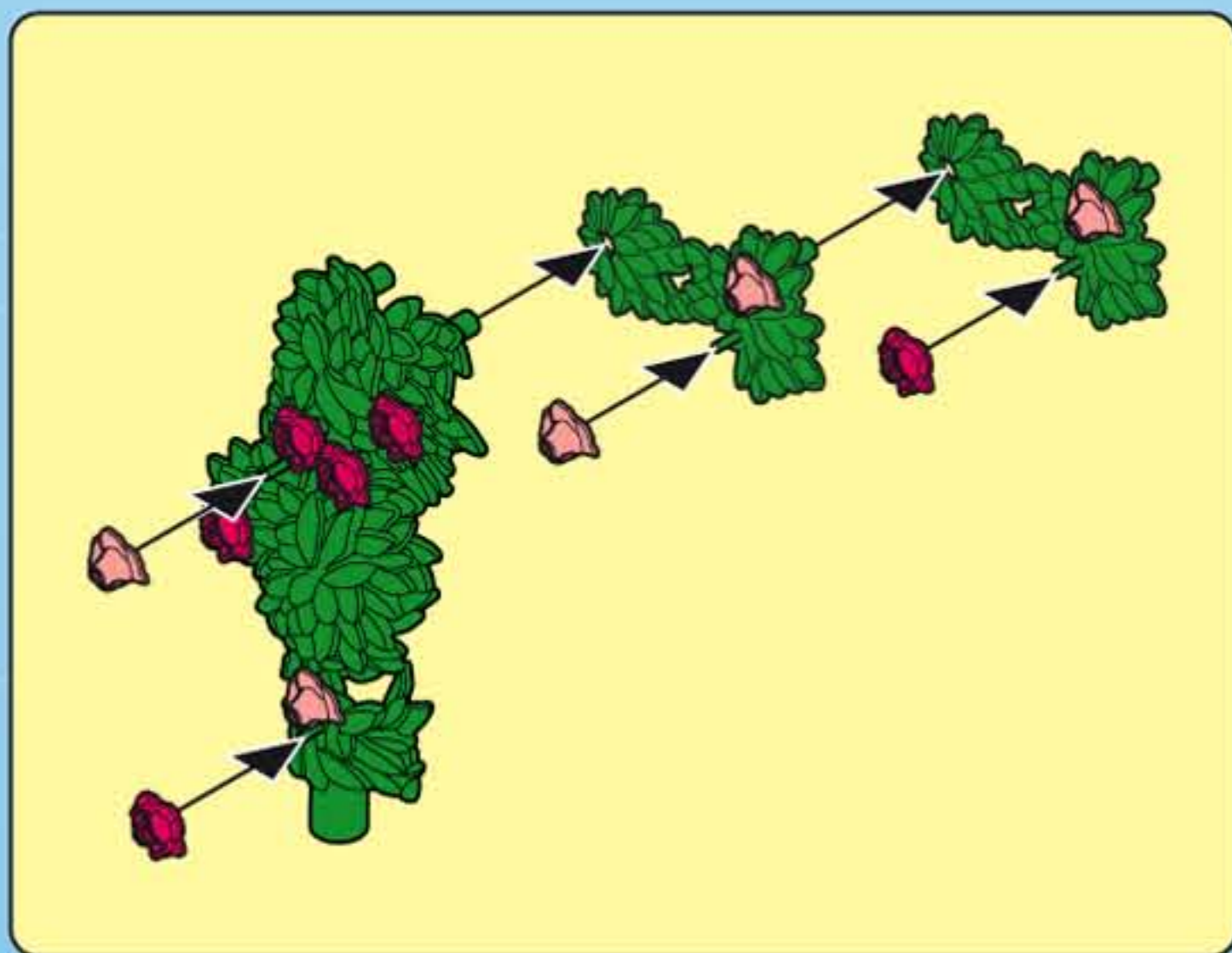
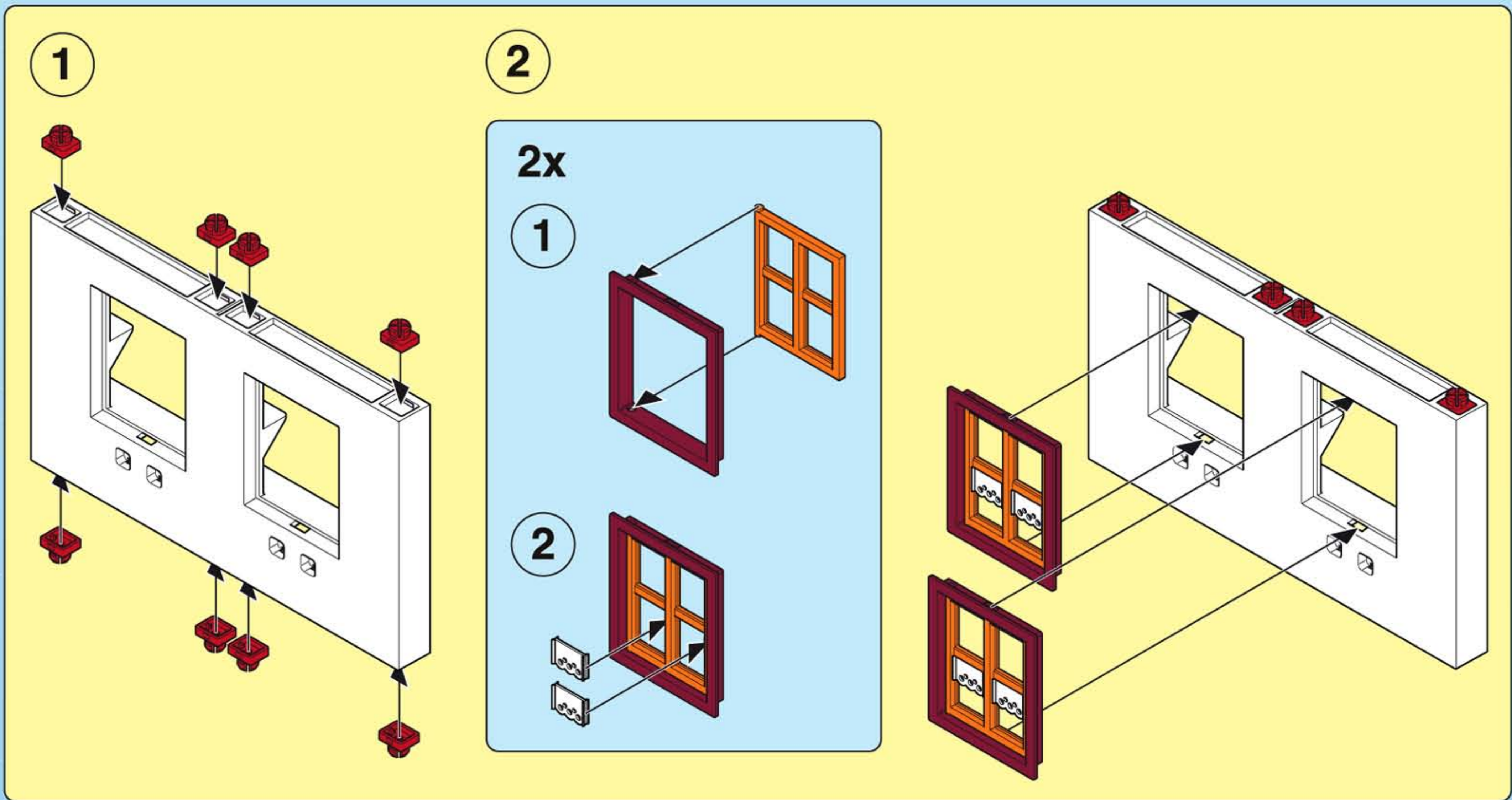


1

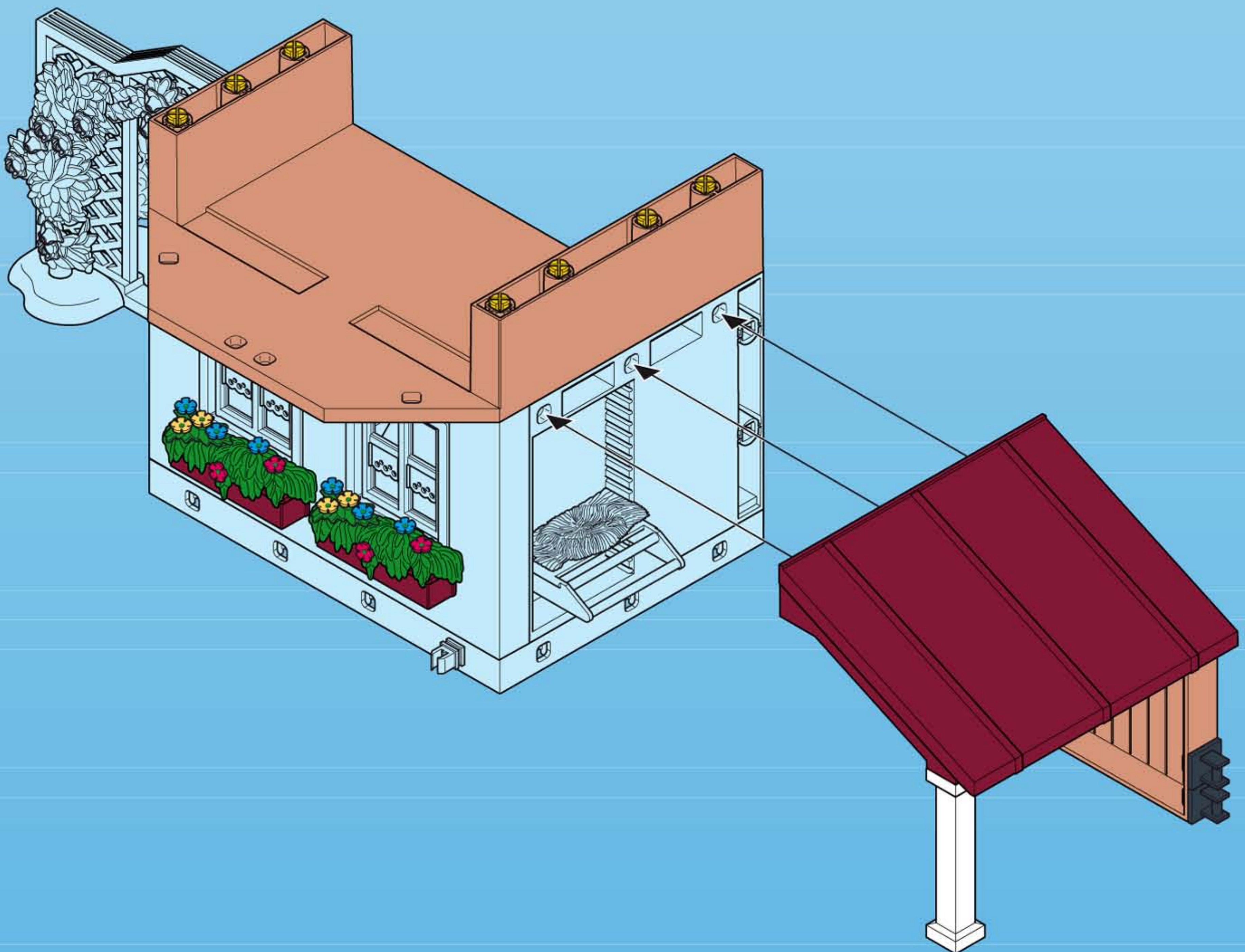
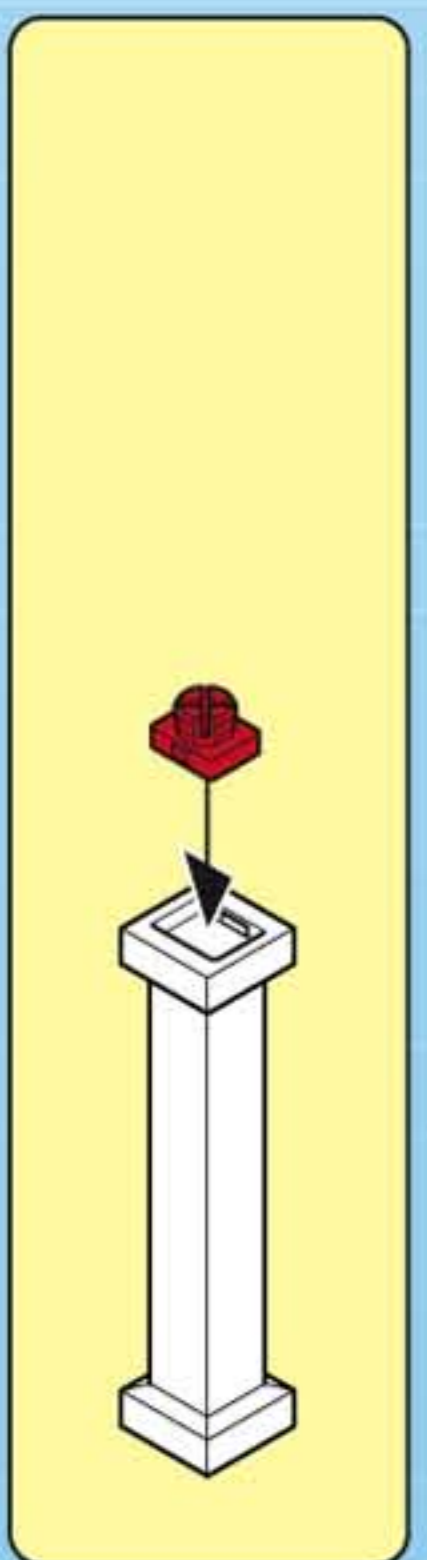
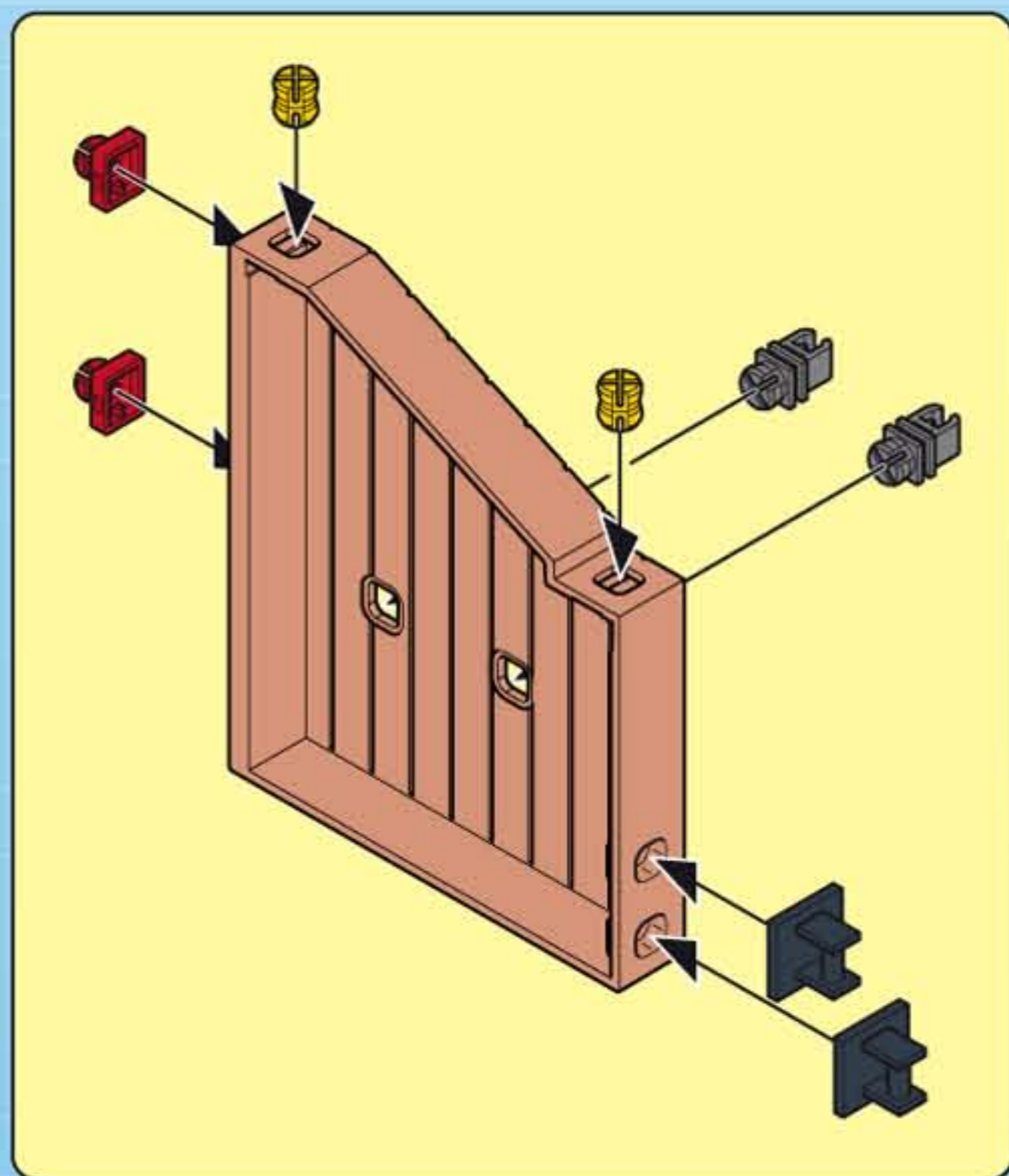
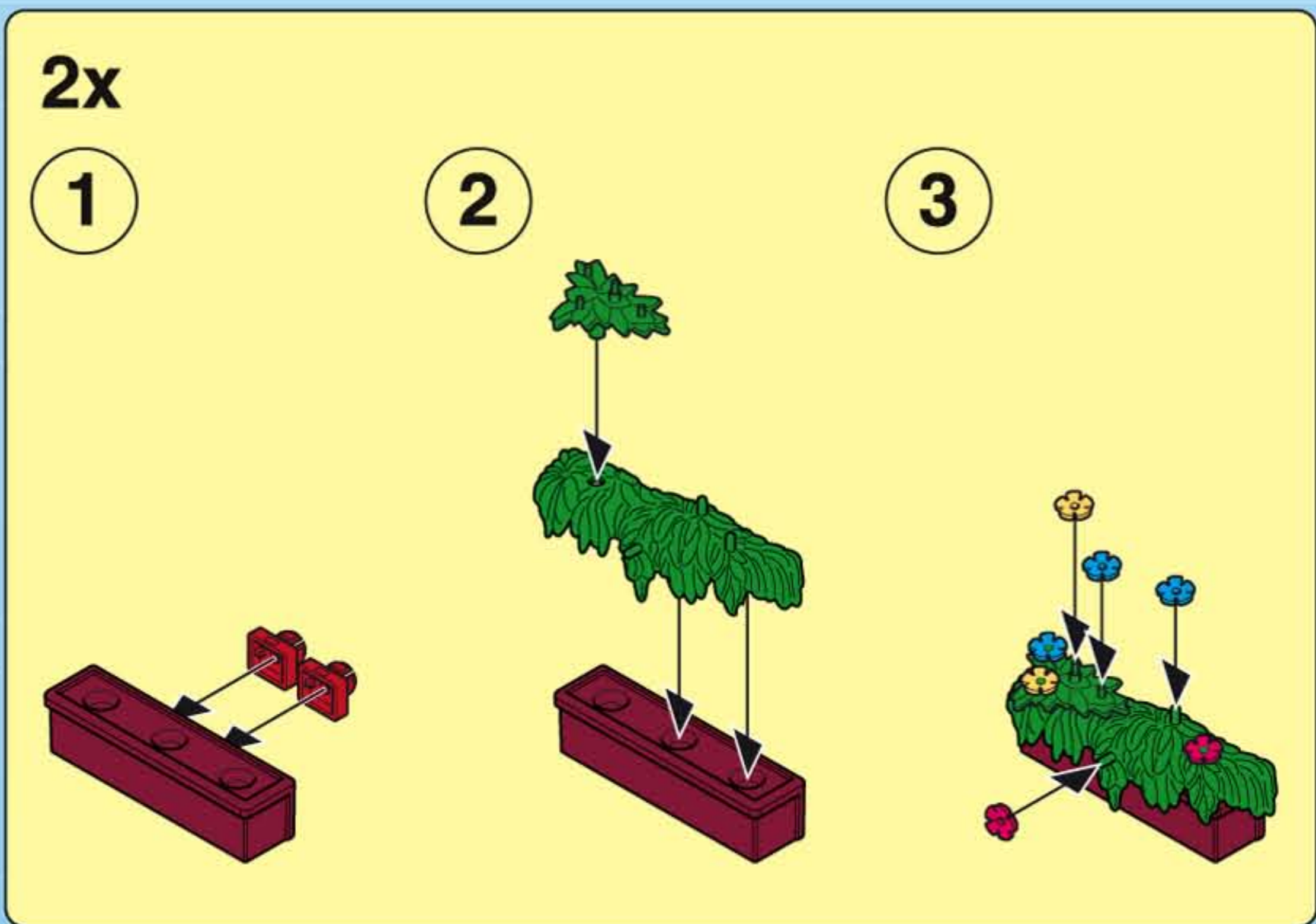
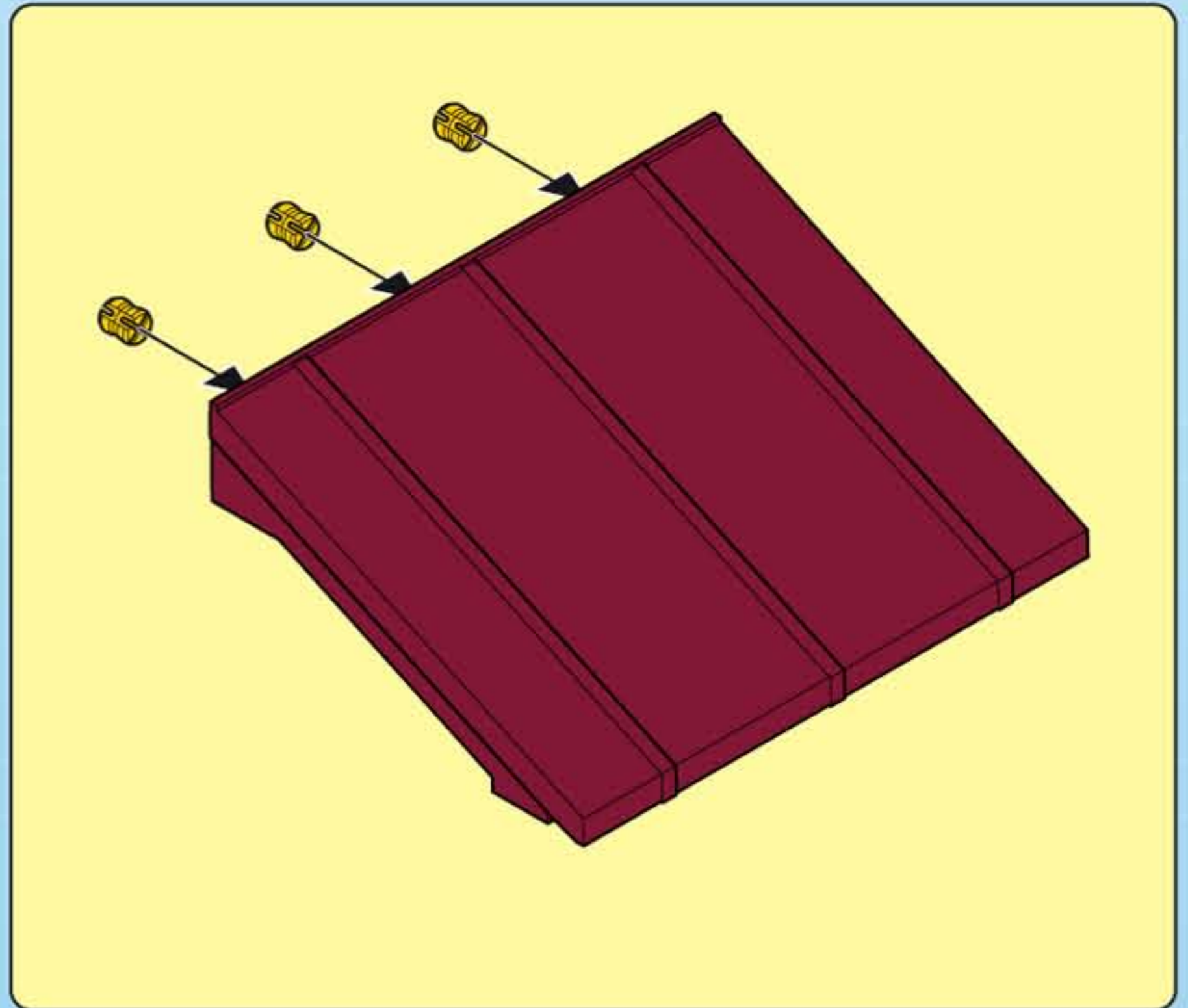
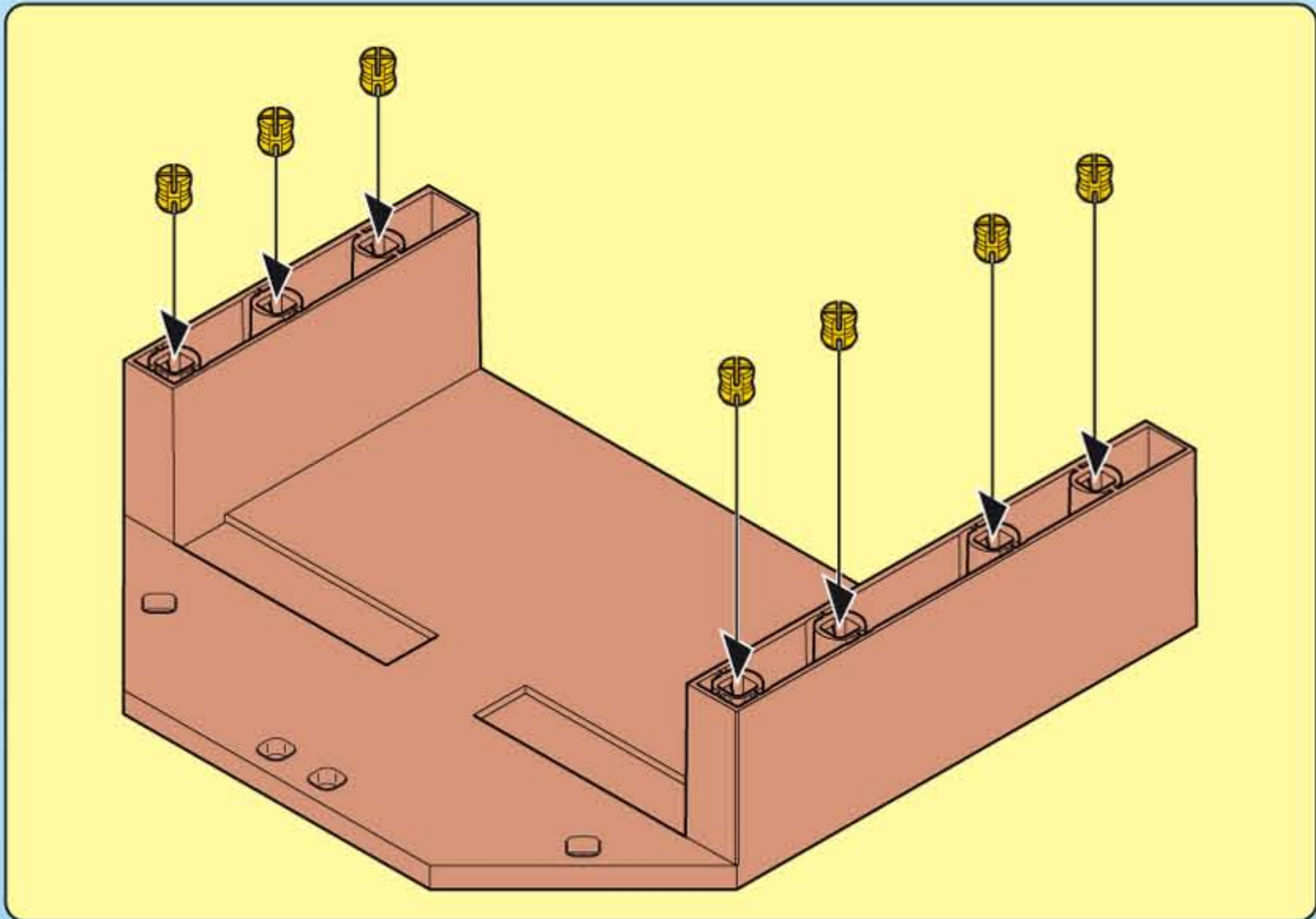




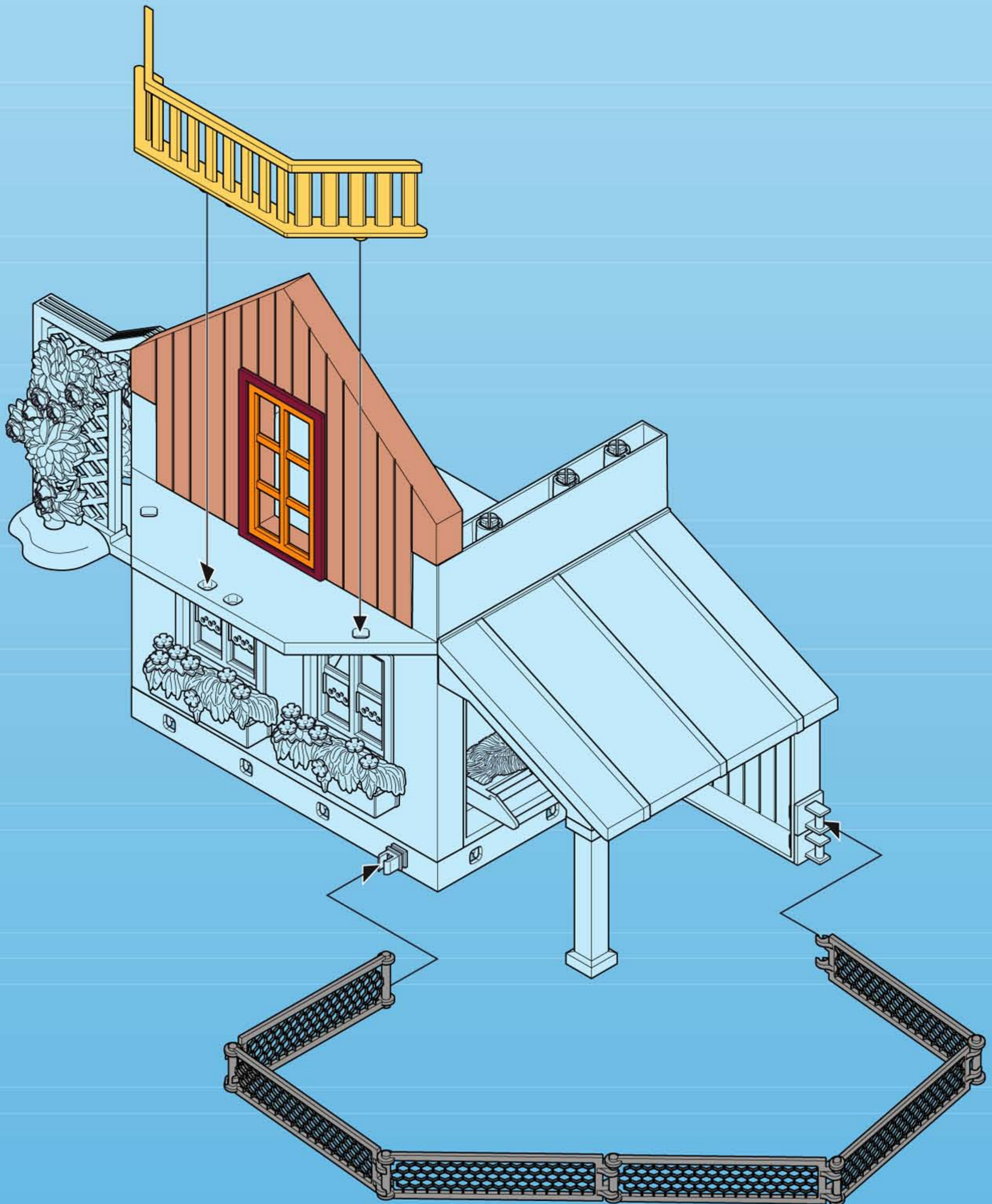
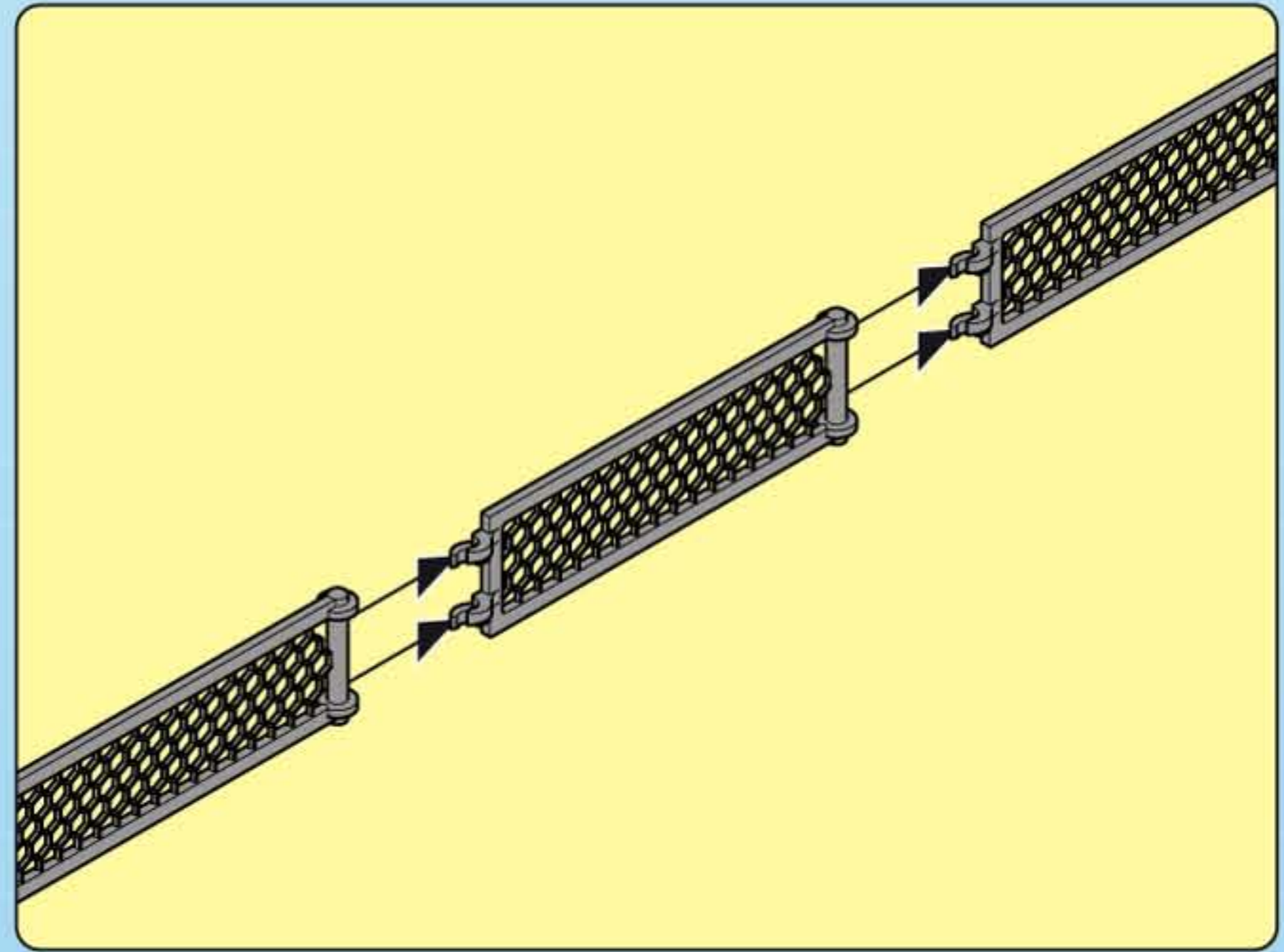
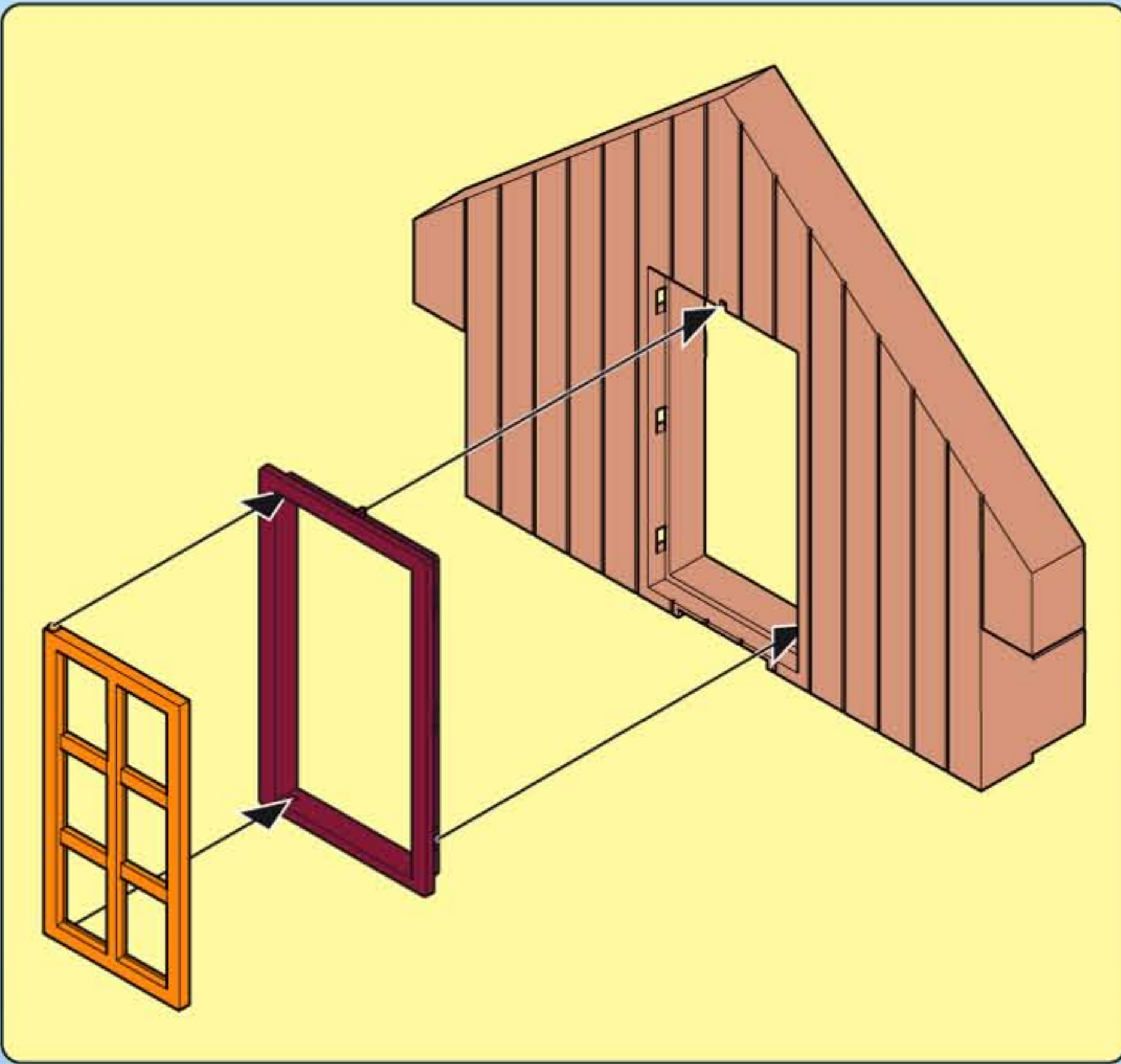
4

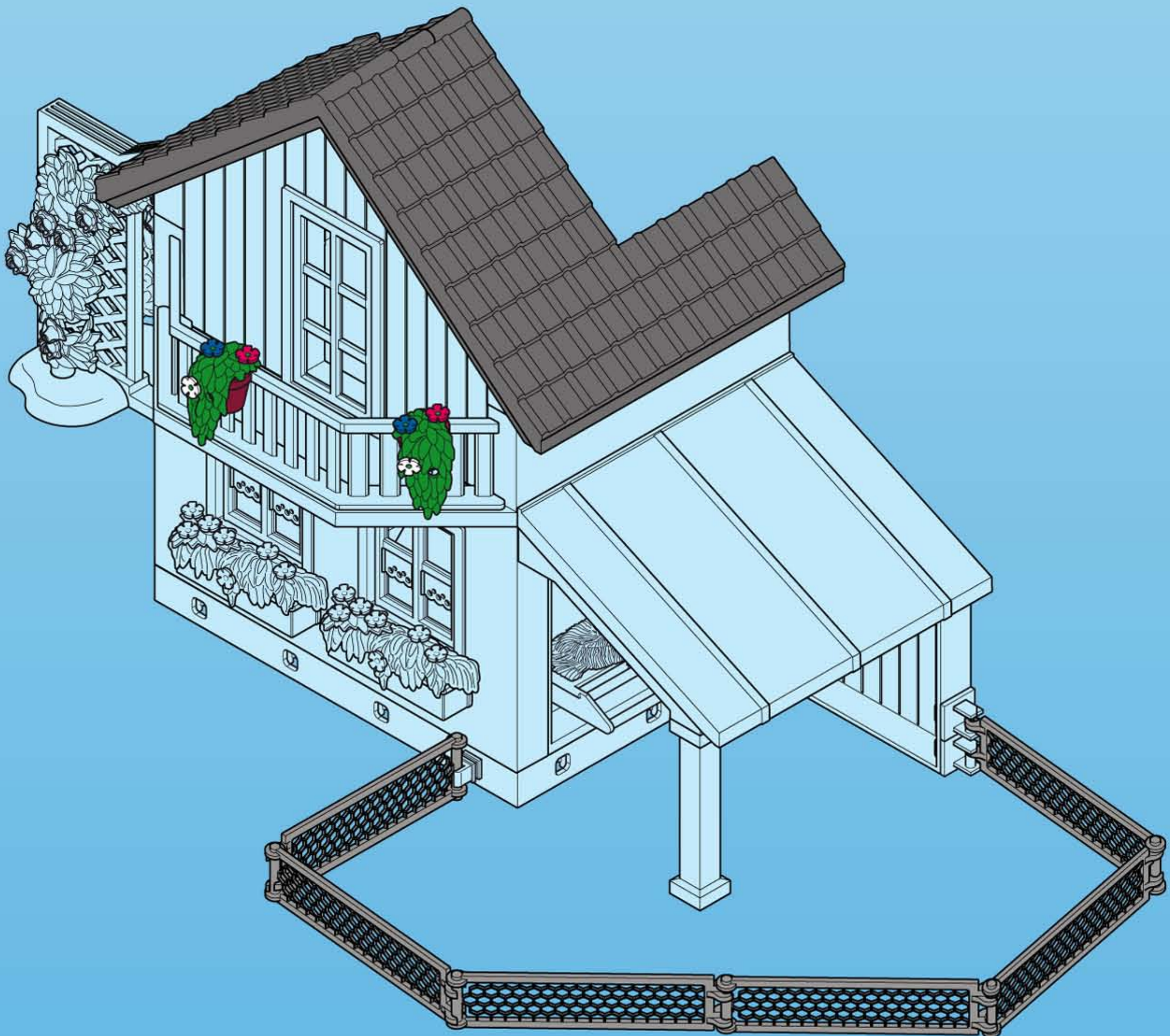
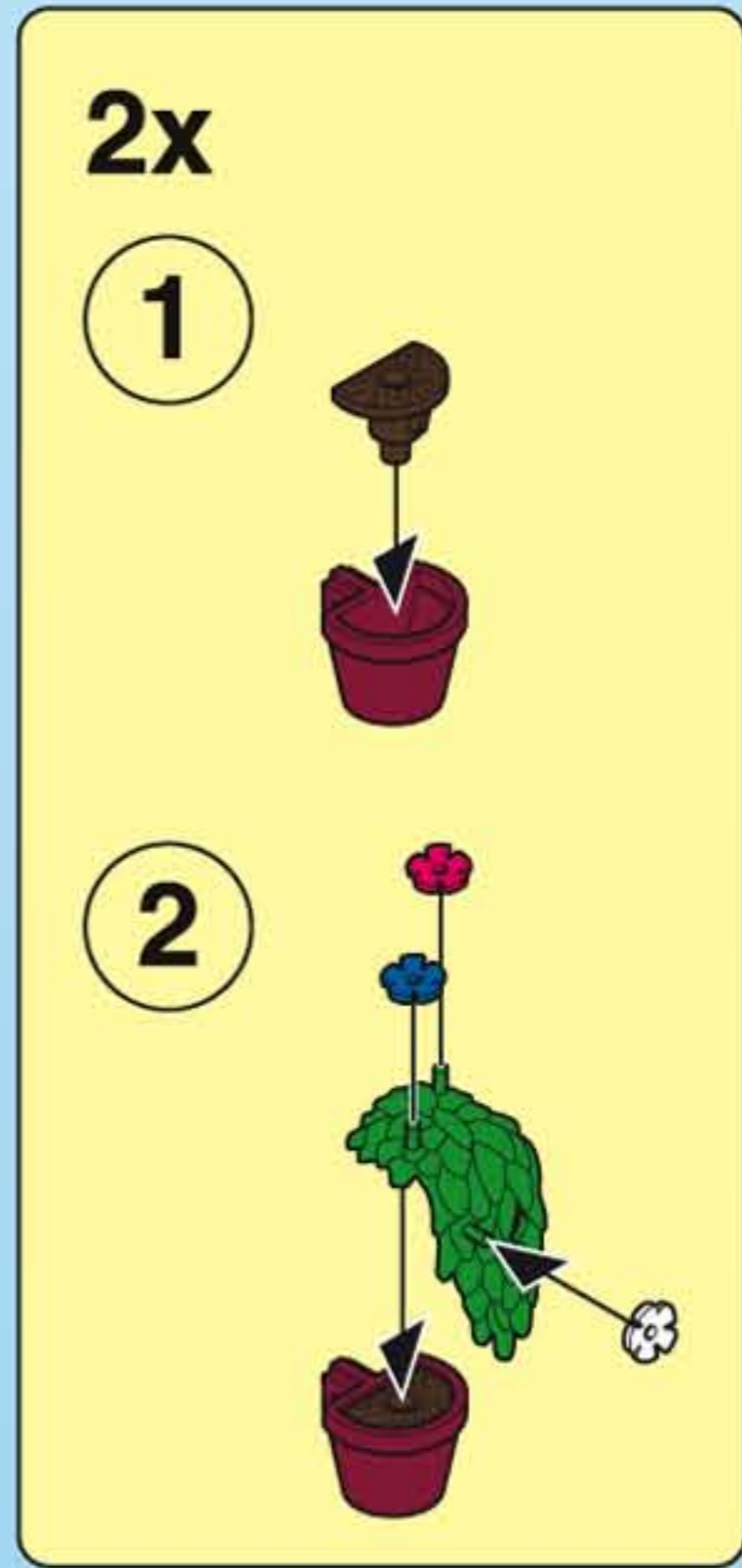
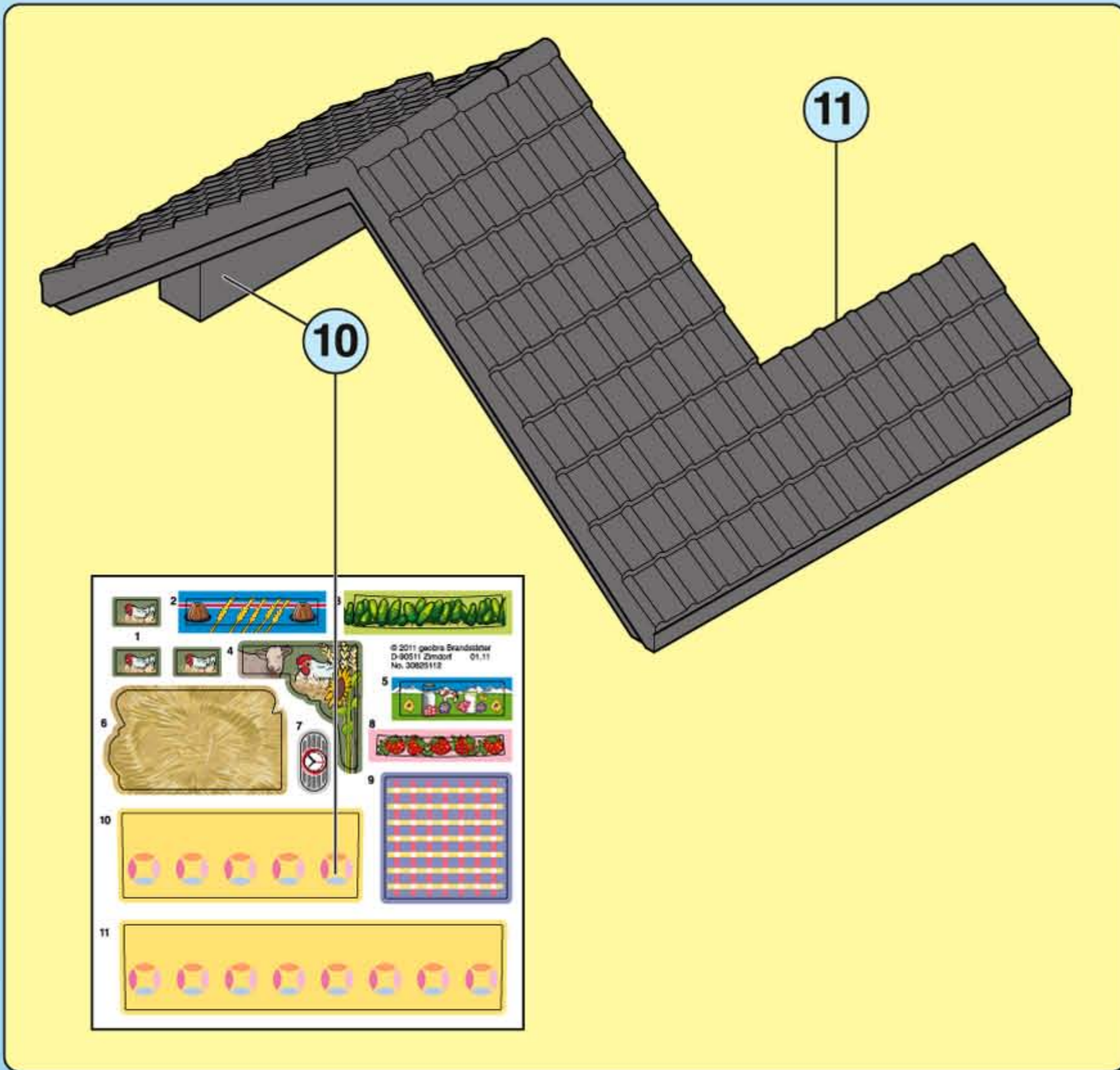


5

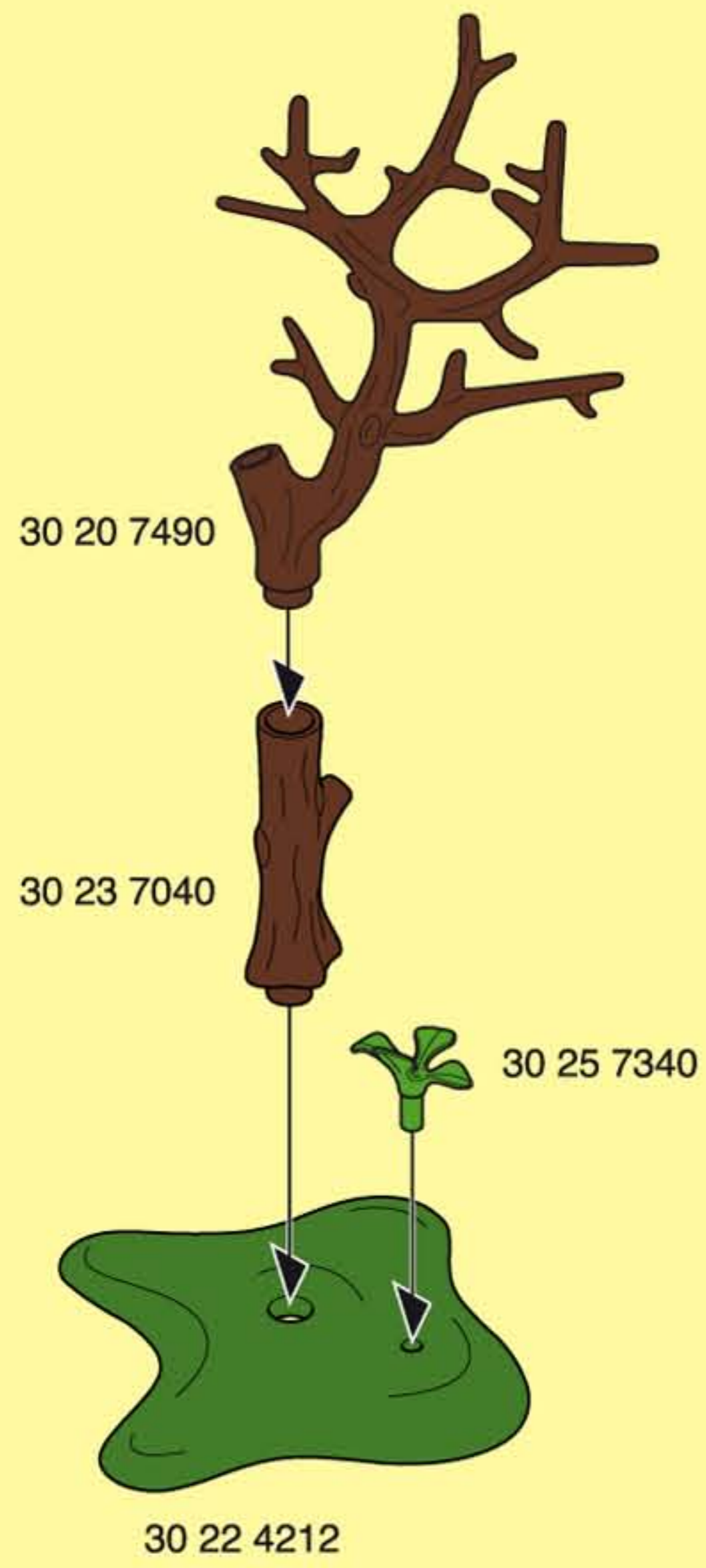


6

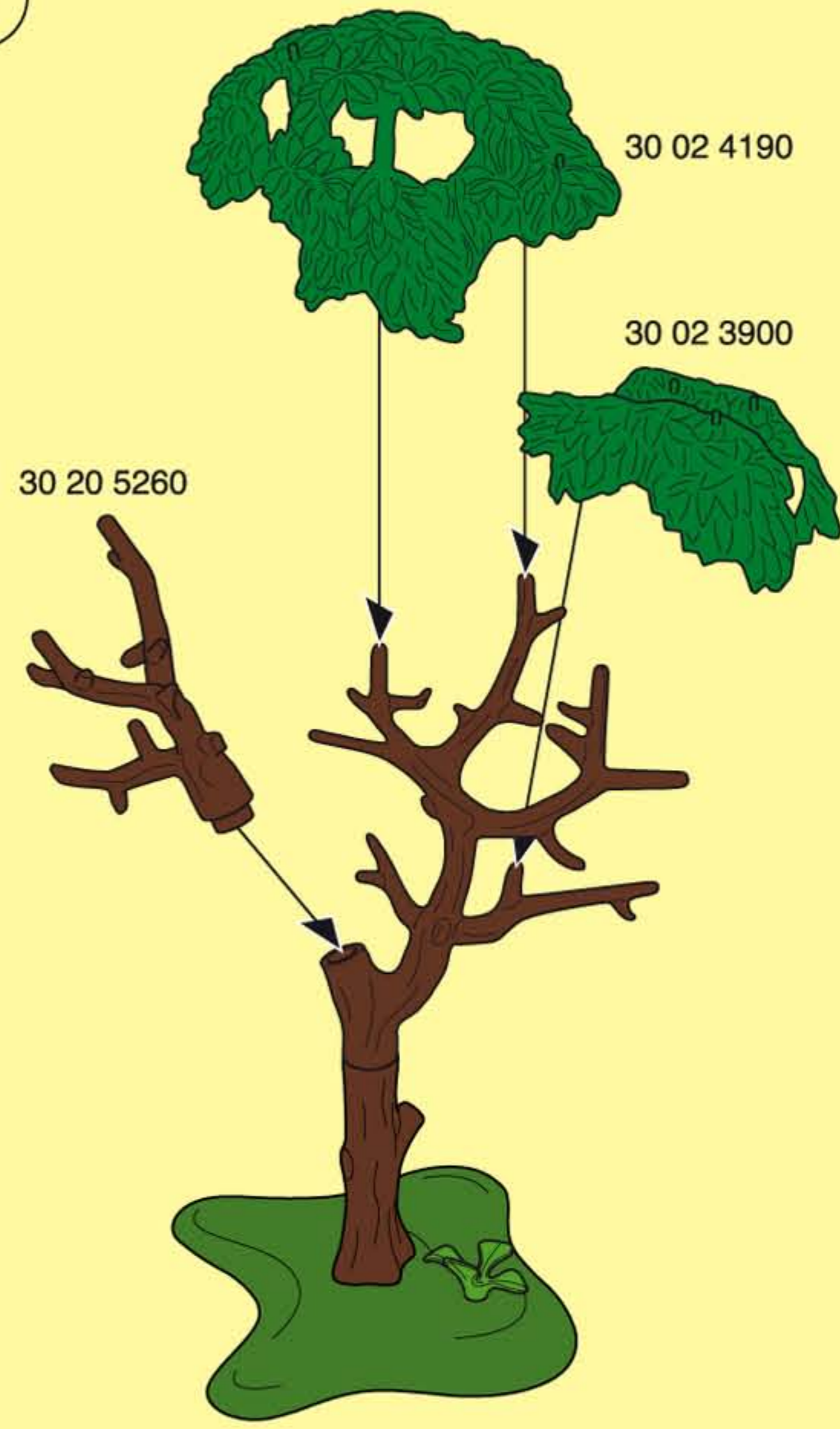




1



2



3

3x

1

30 20 6152

30 63 3042

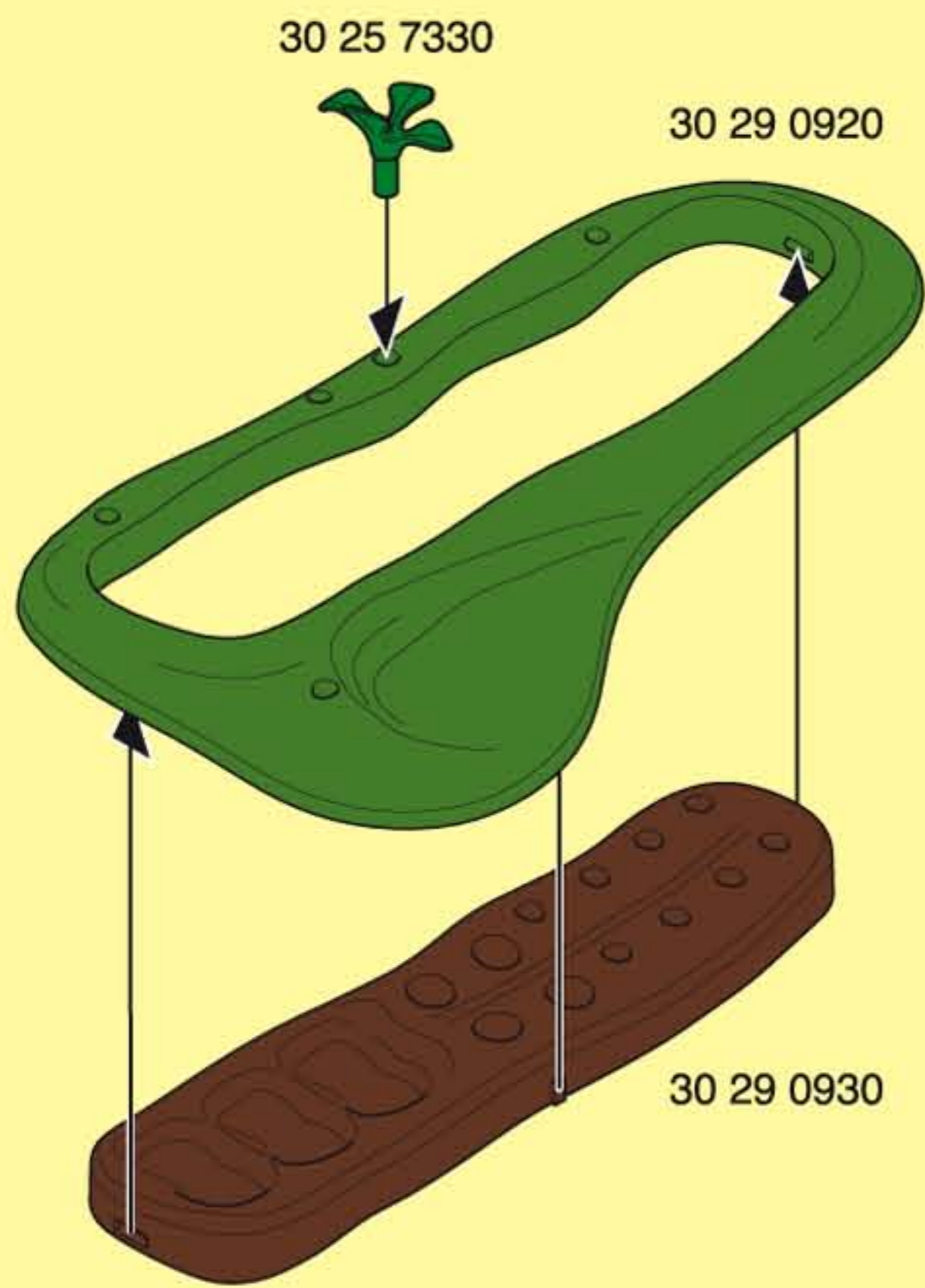
2

30 02 3900

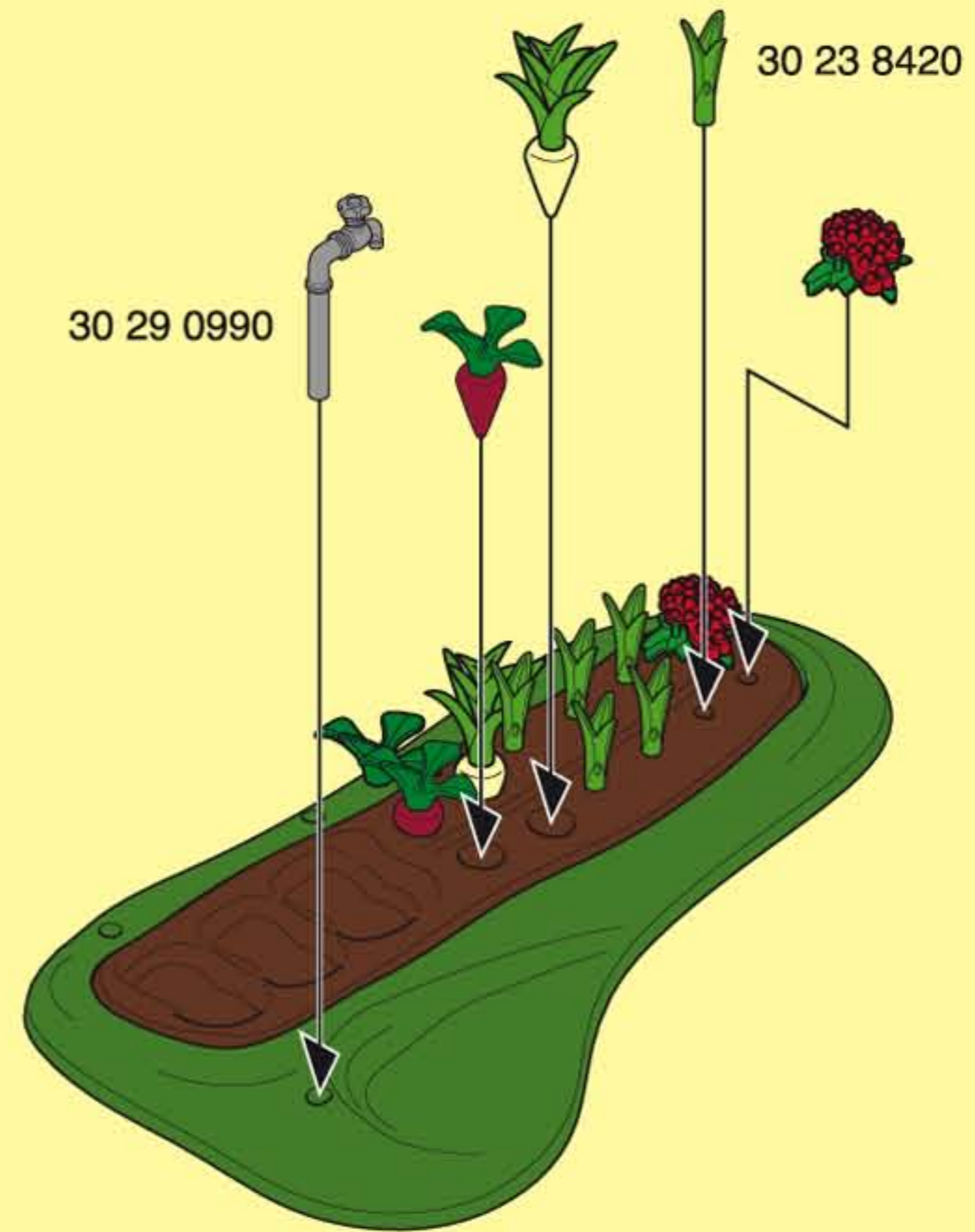
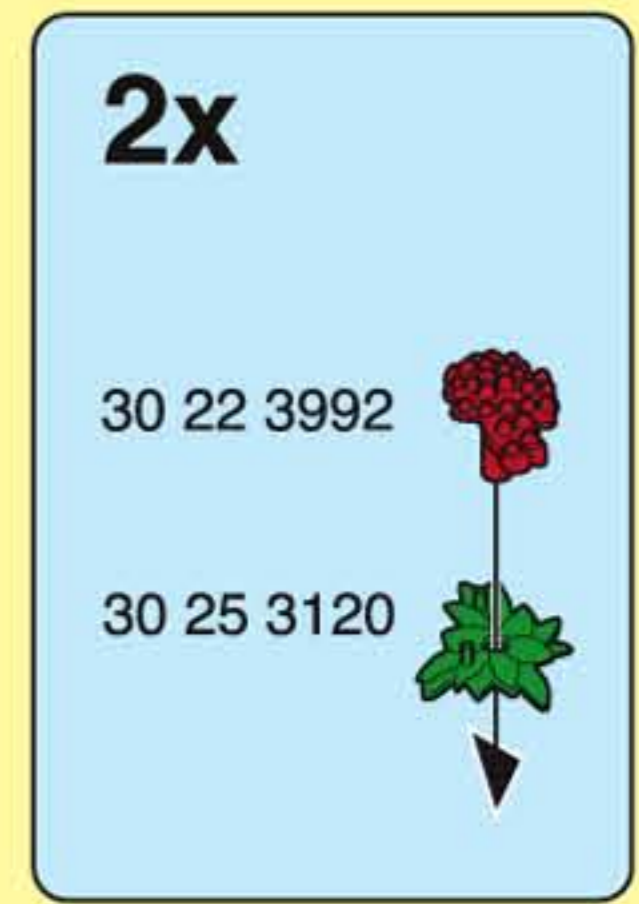
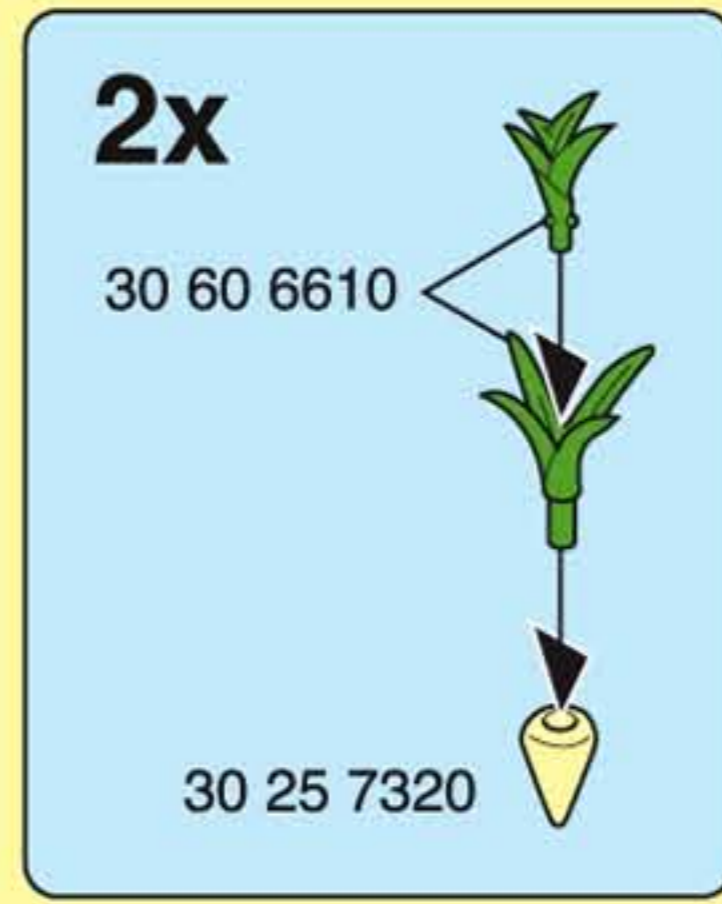
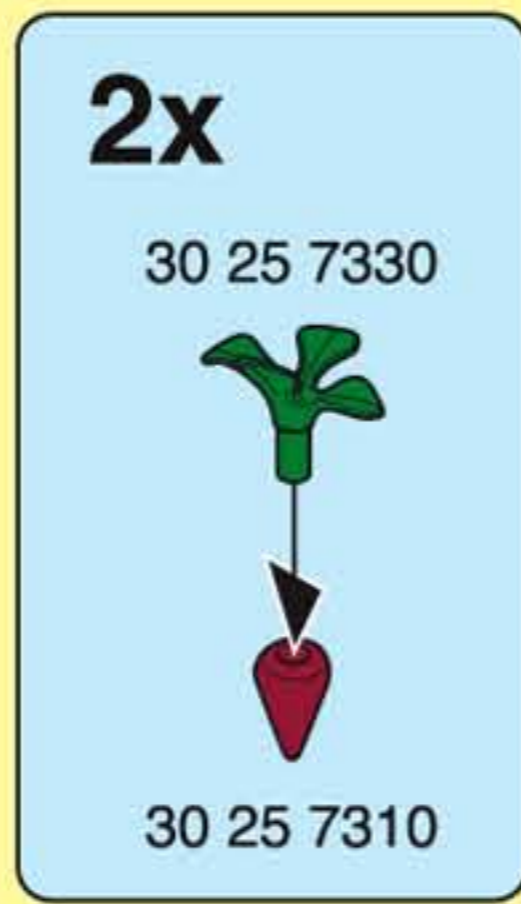
This inset box provides detailed instructions for adding fruit and leaves. Step 1 shows a branch with fruit (30 20 6152) and a leaf (30 63 3042) being attached. Step 2 shows a leaf (30 02 3900) being attached to a branch with fruit.



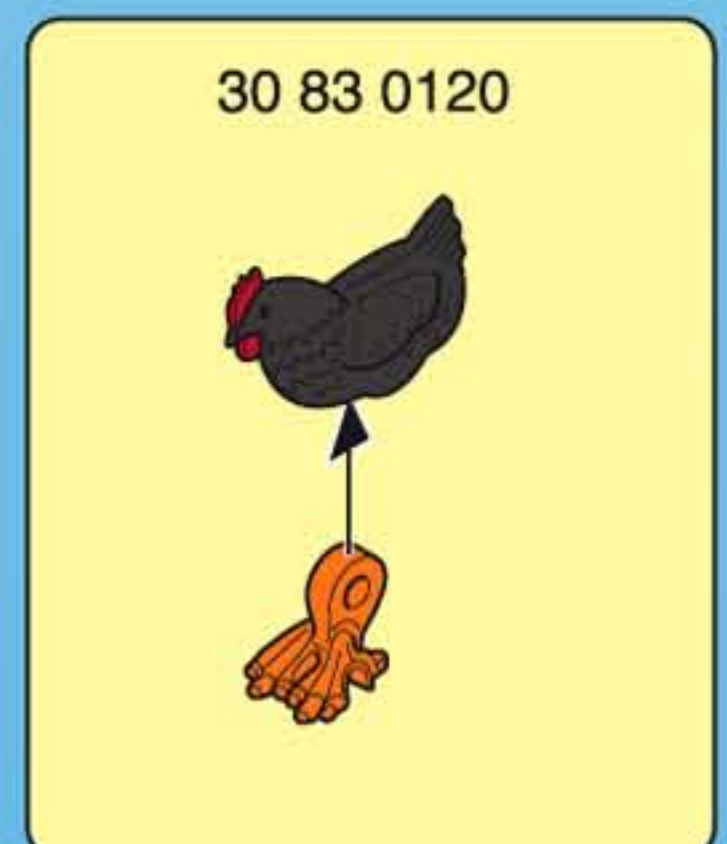
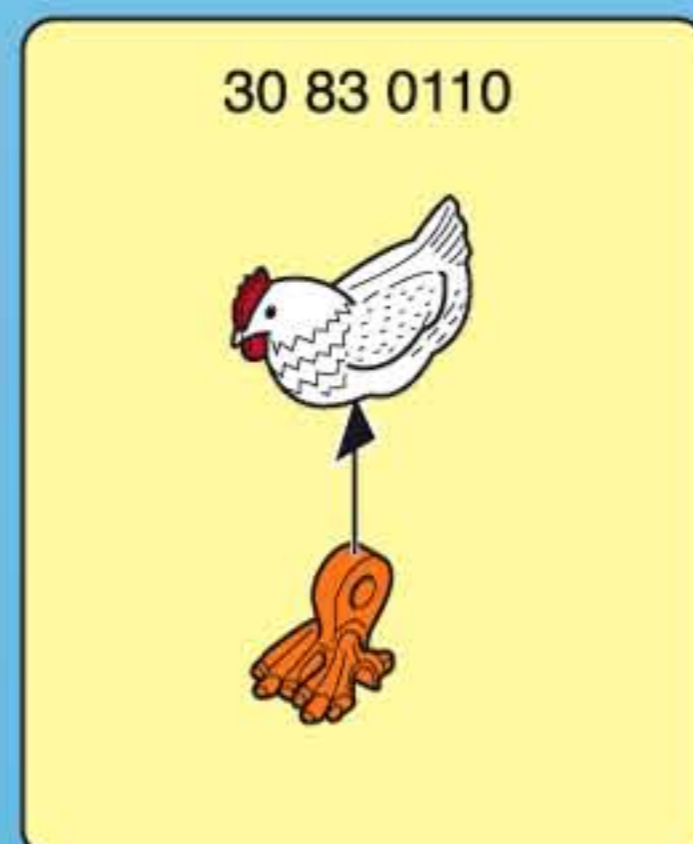
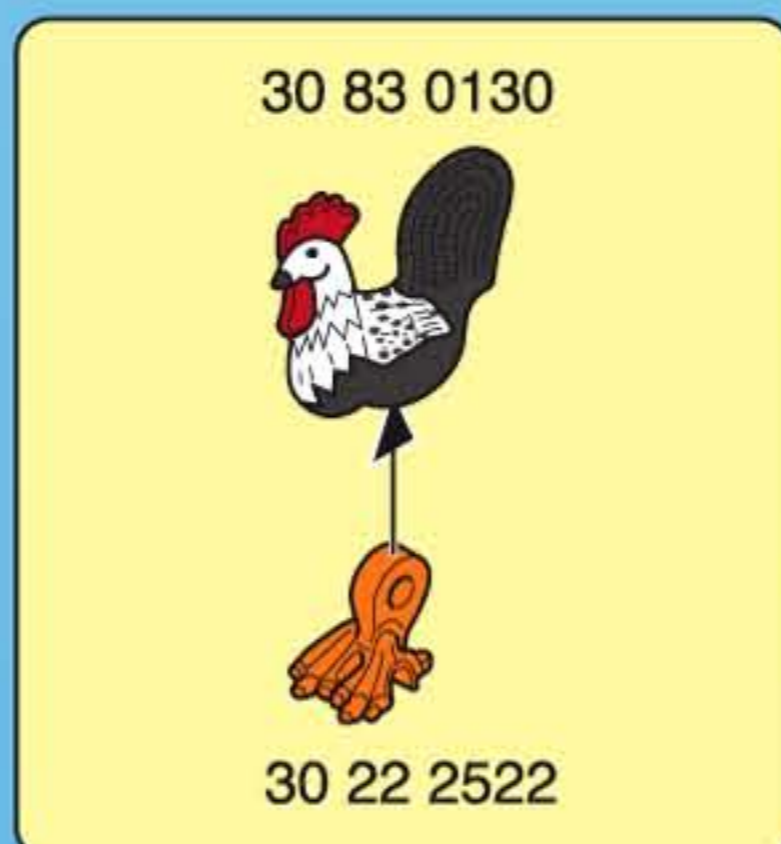
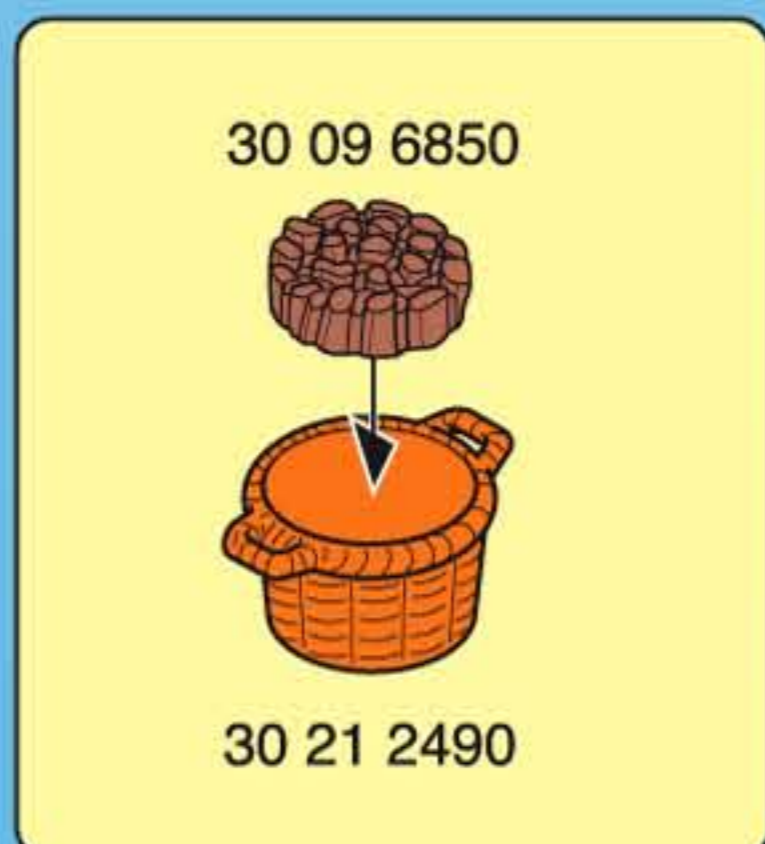
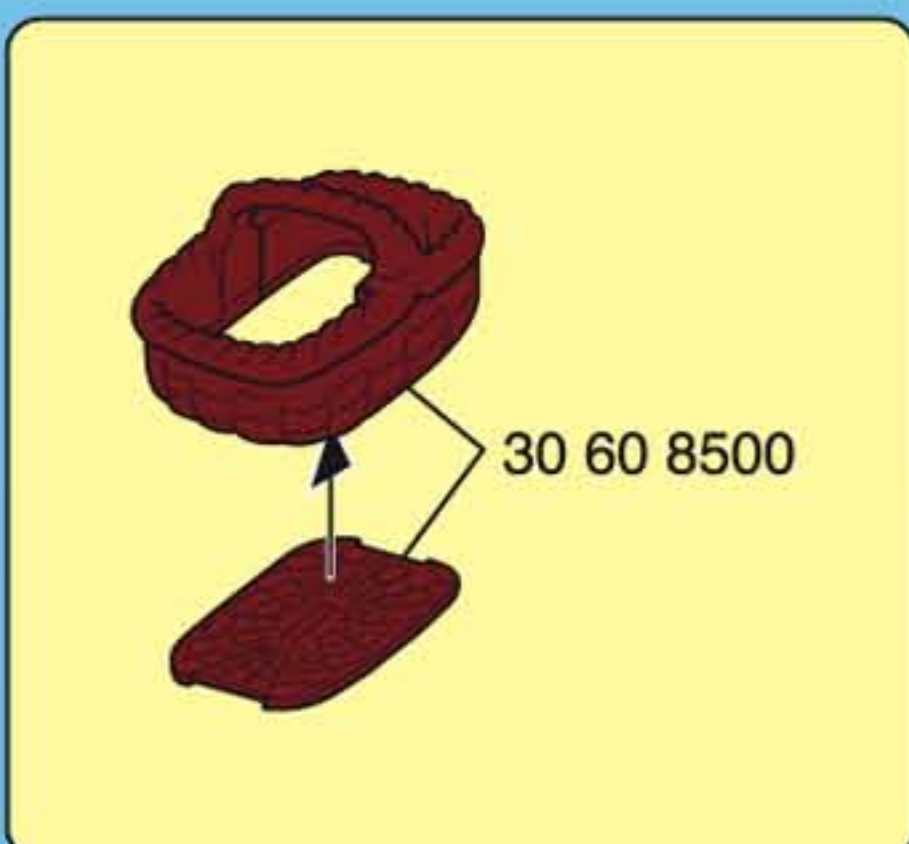
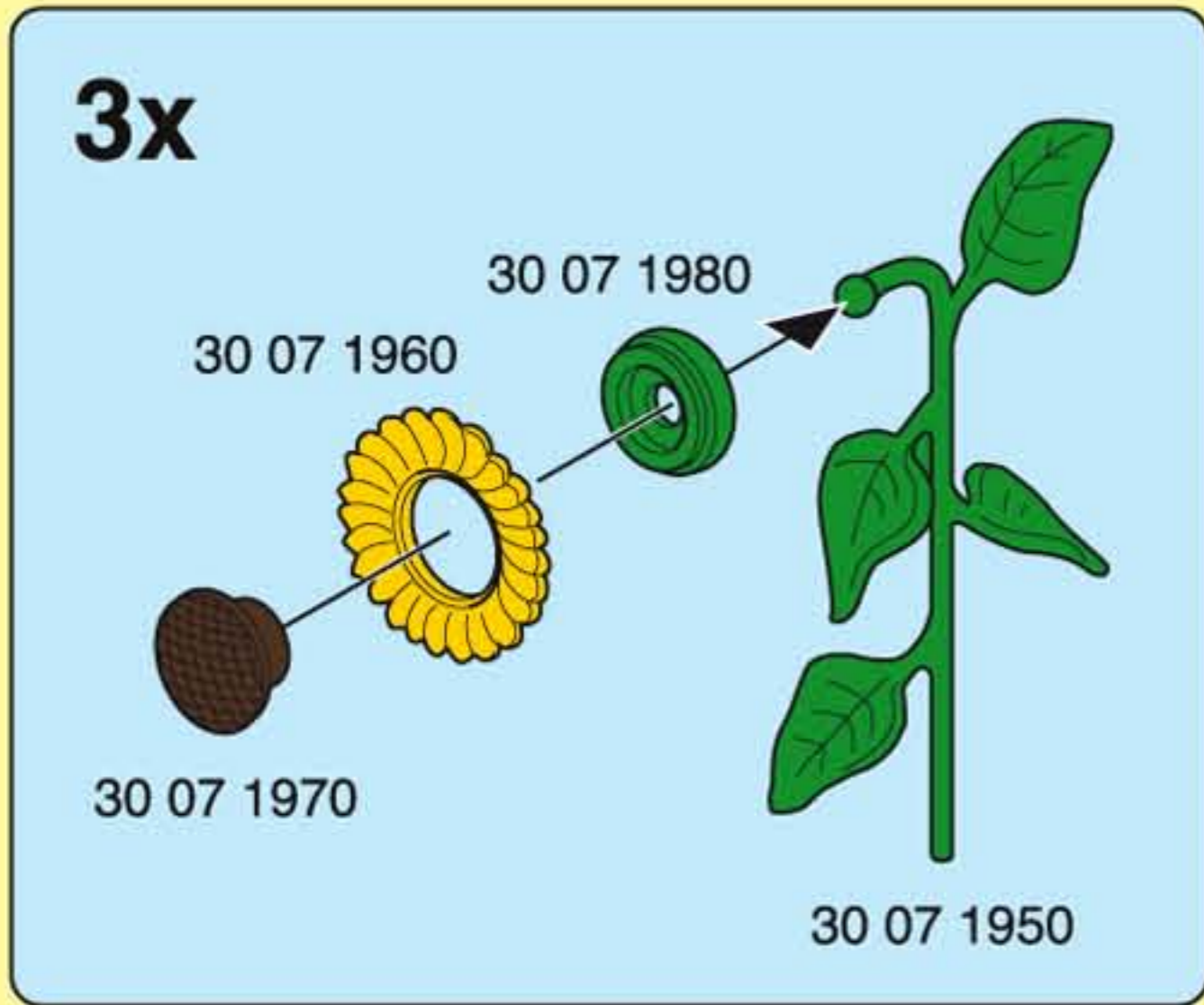
1

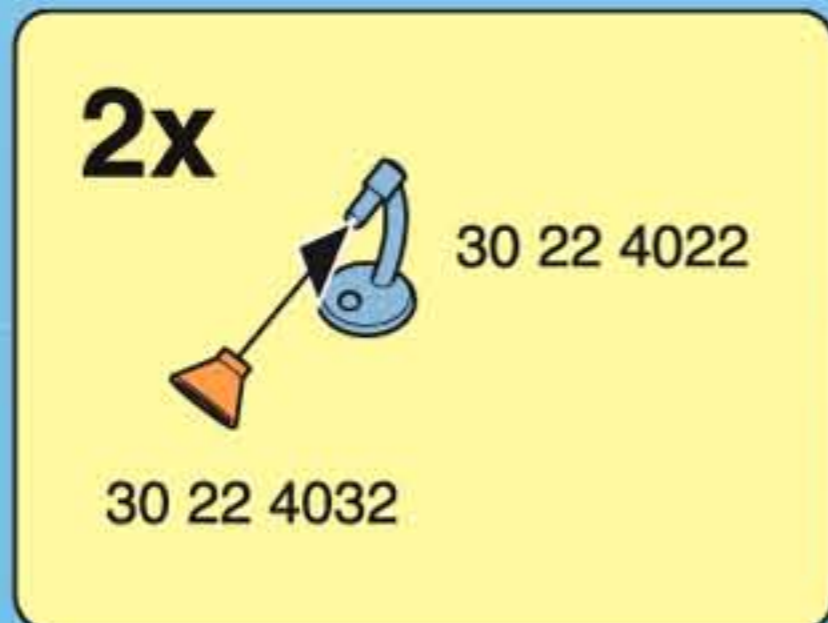
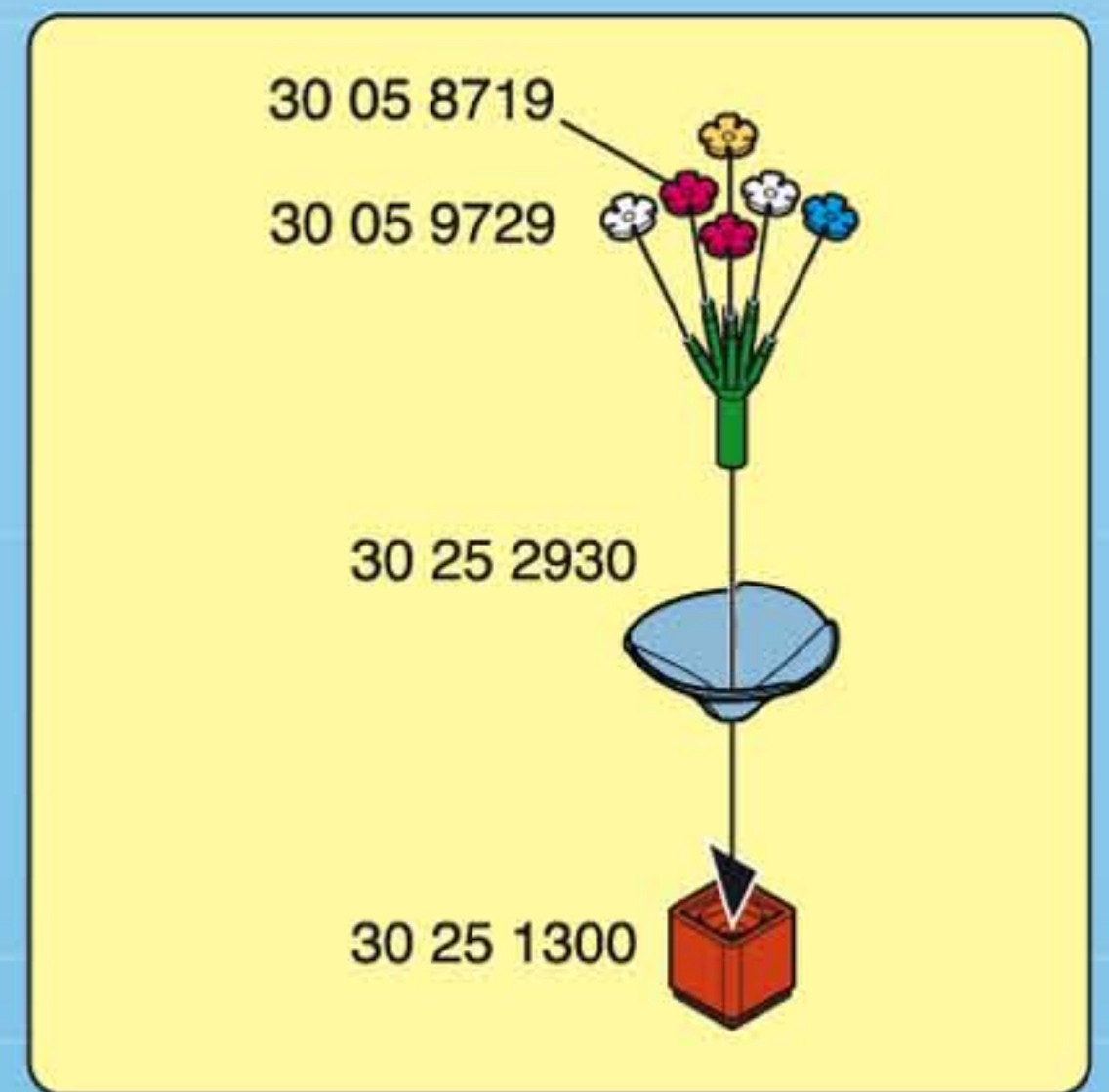
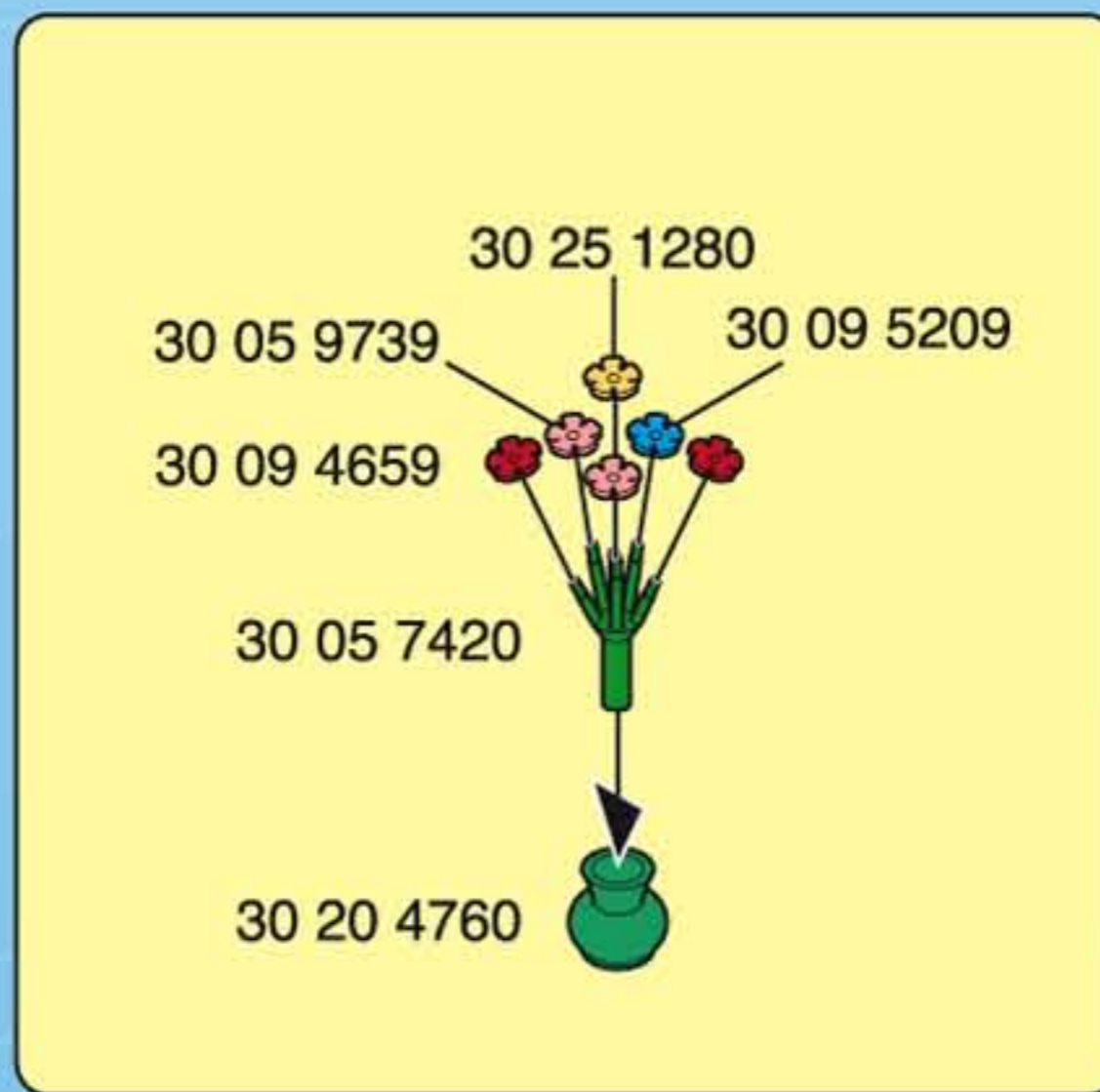
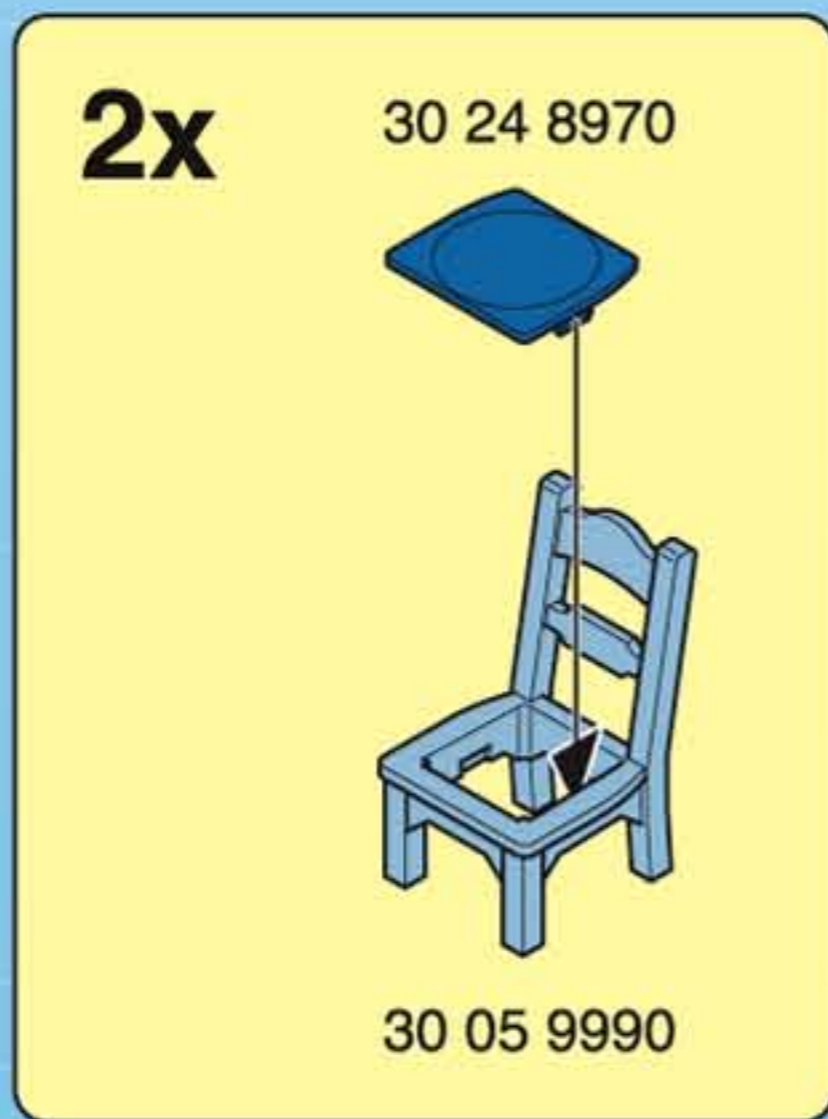
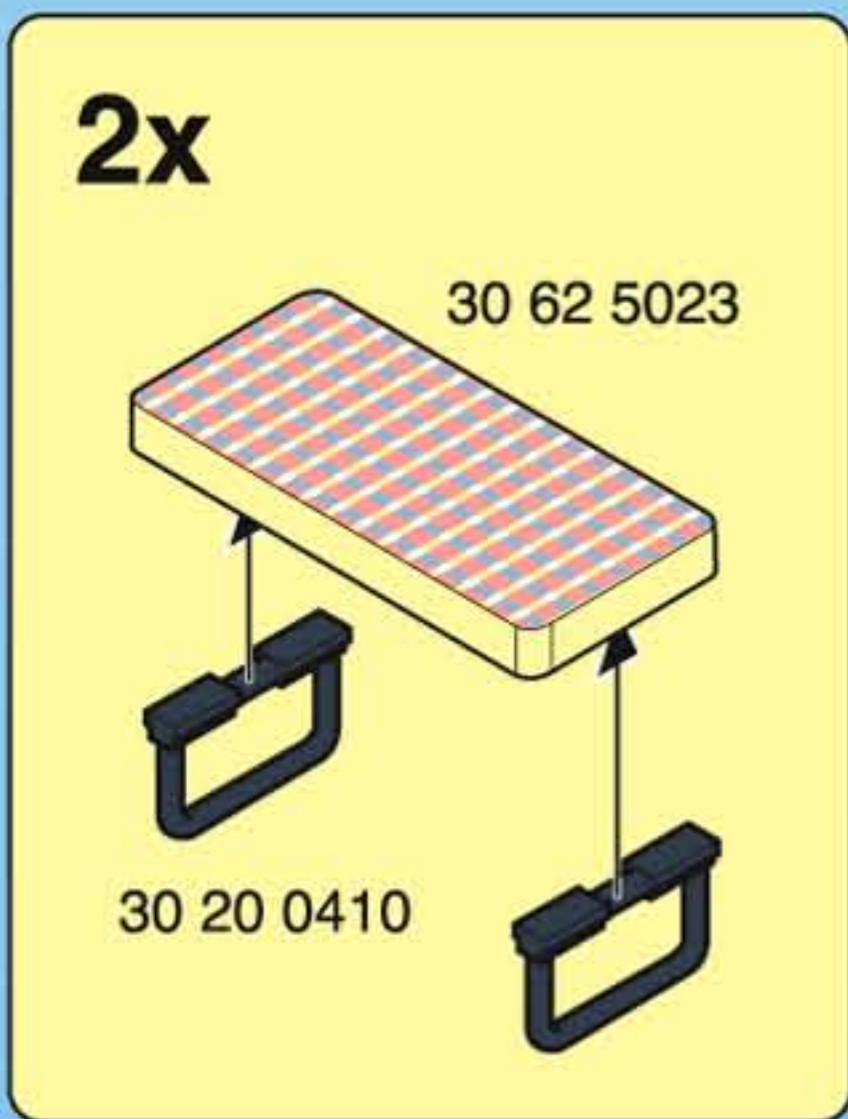
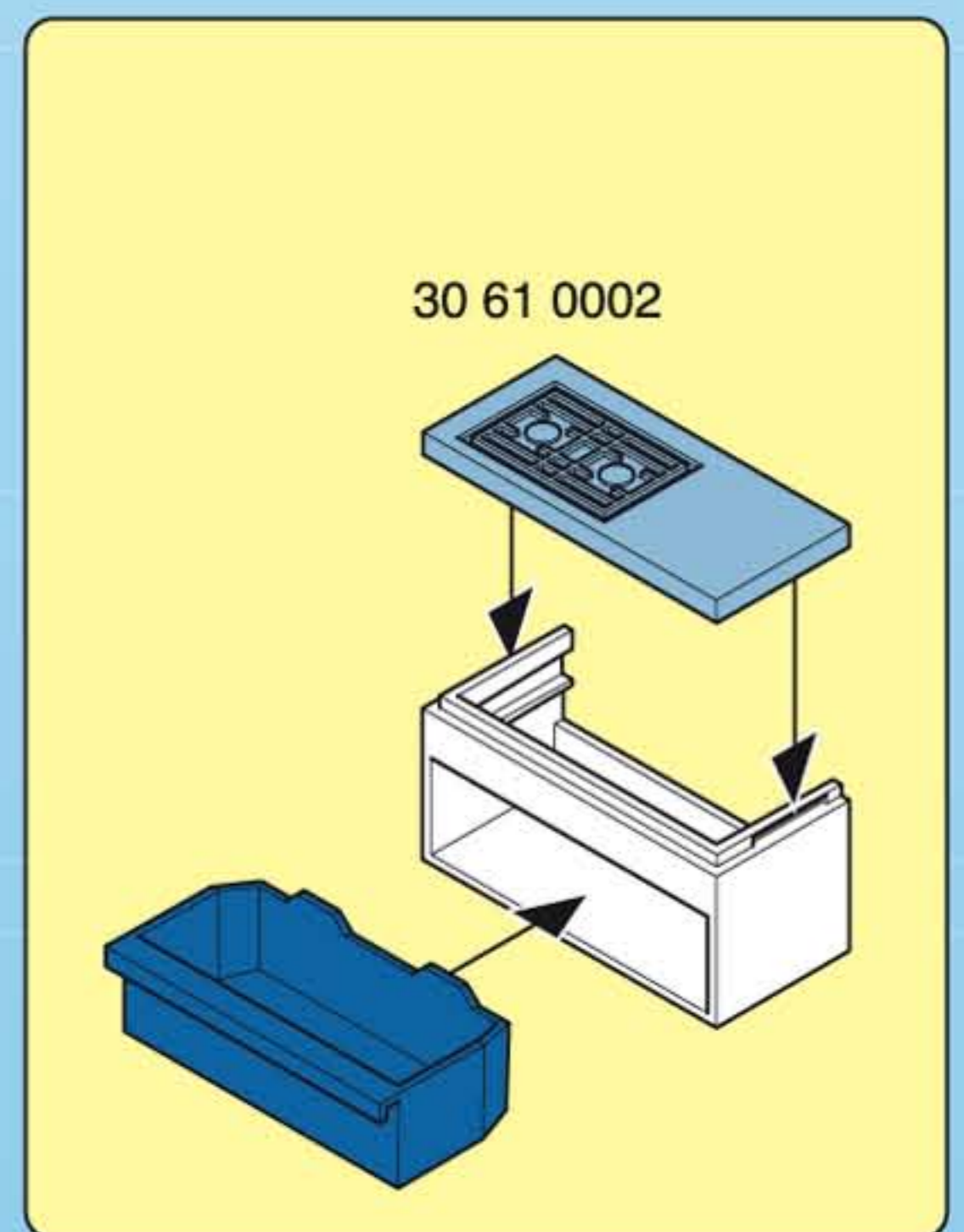
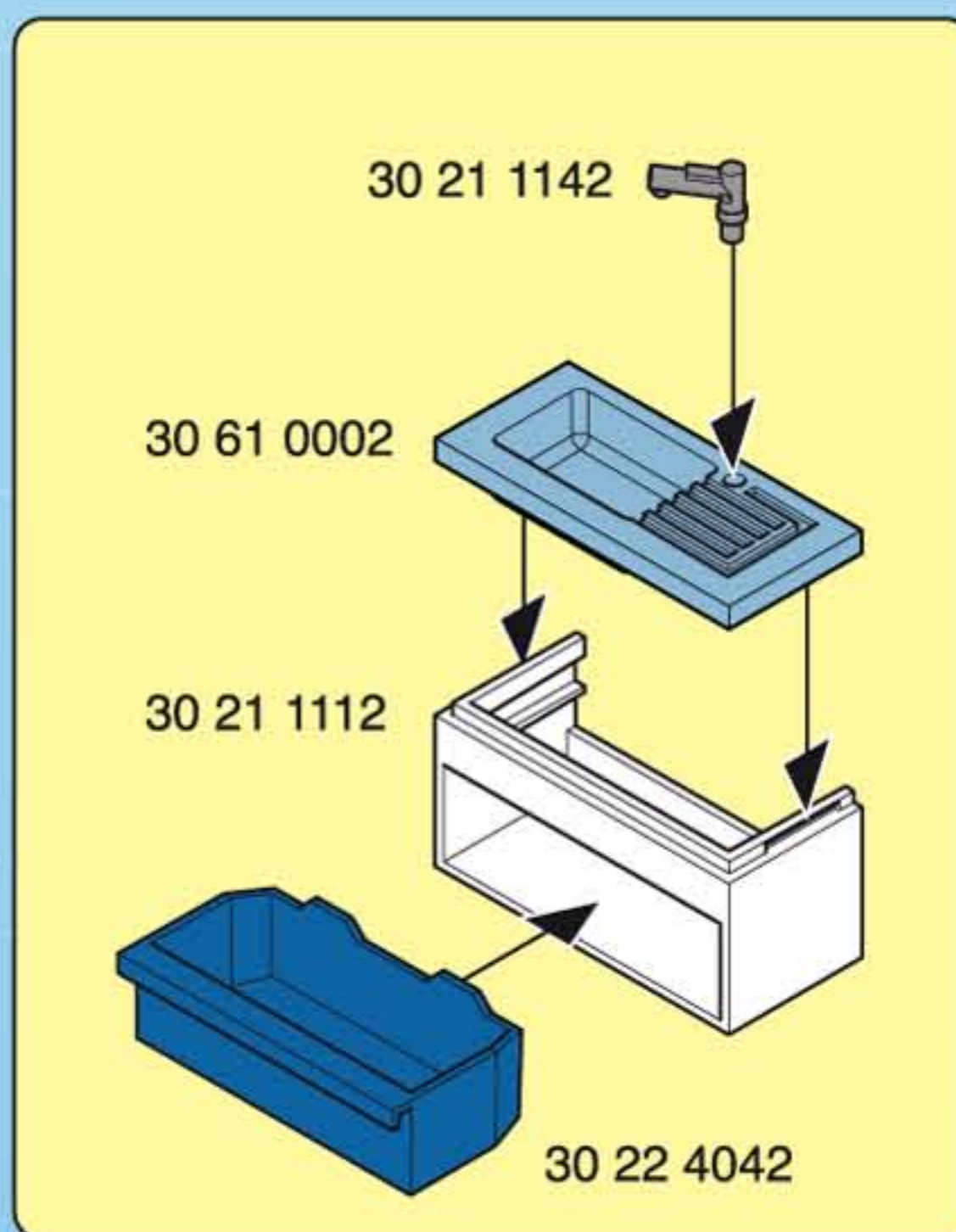
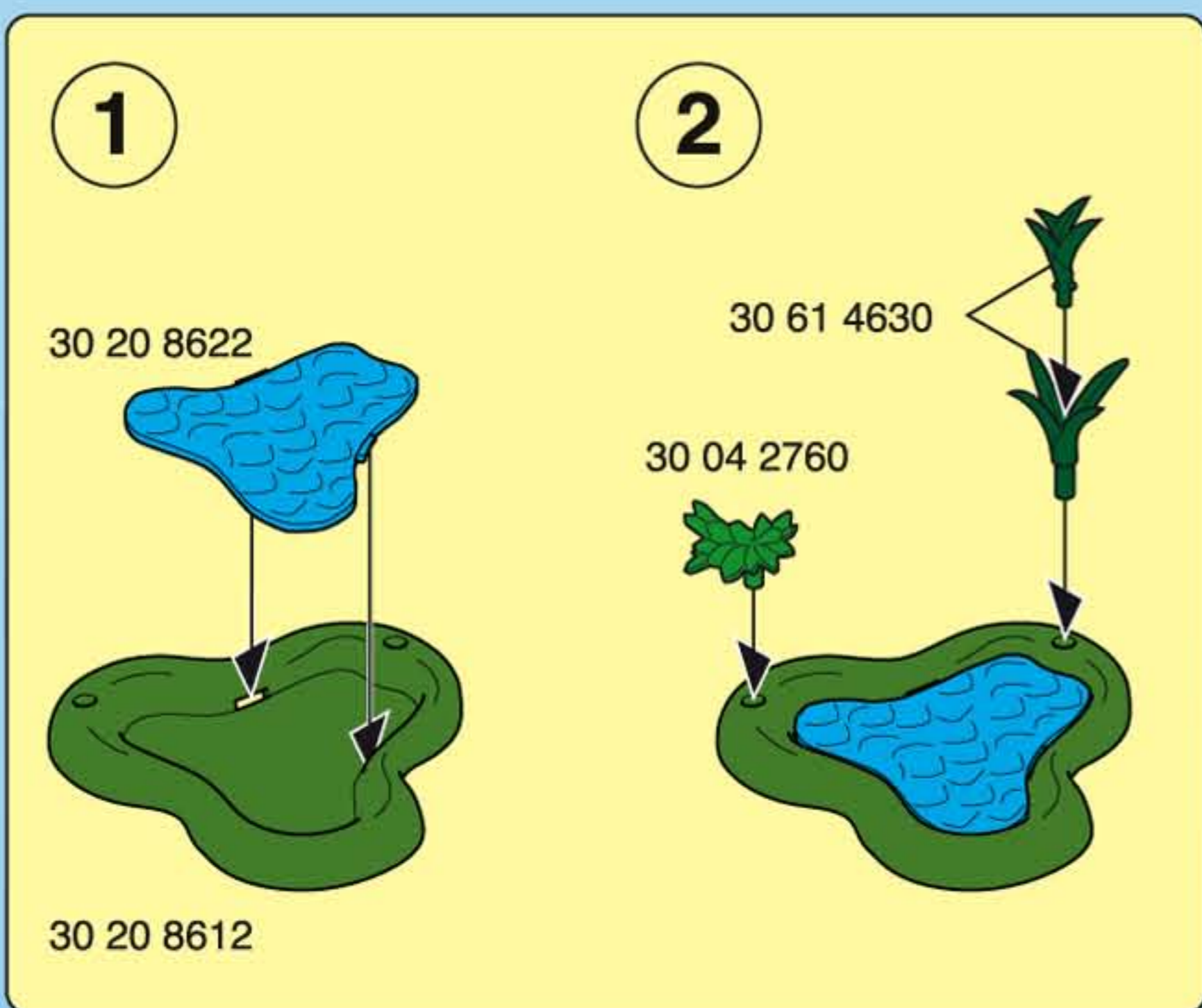
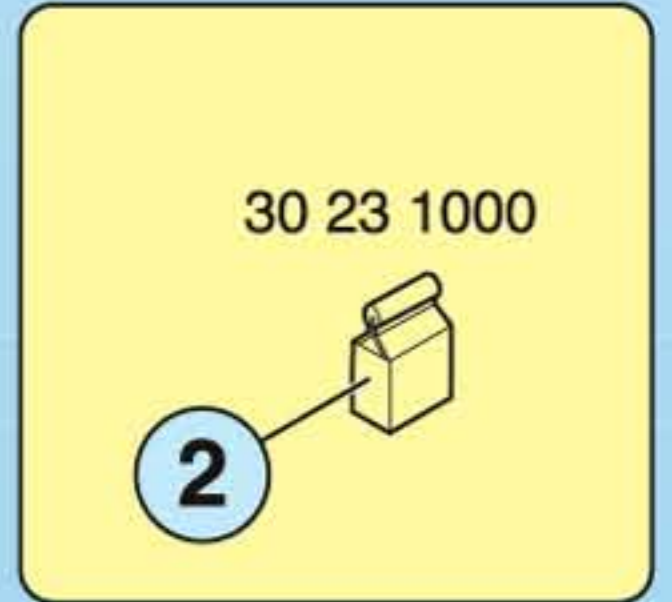
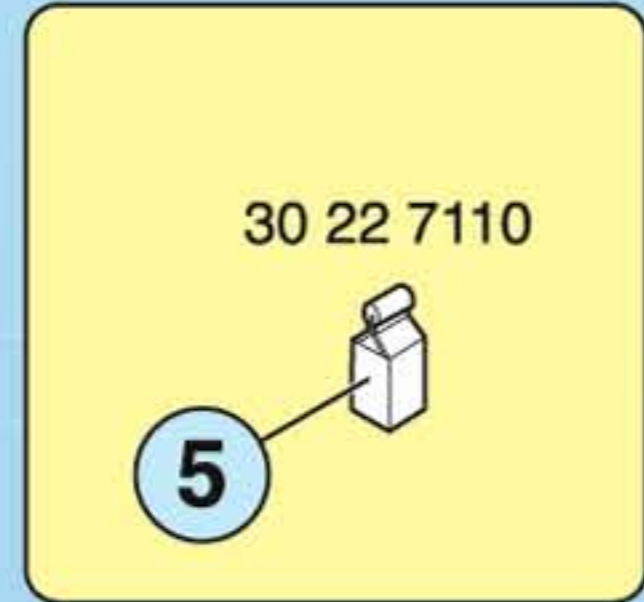
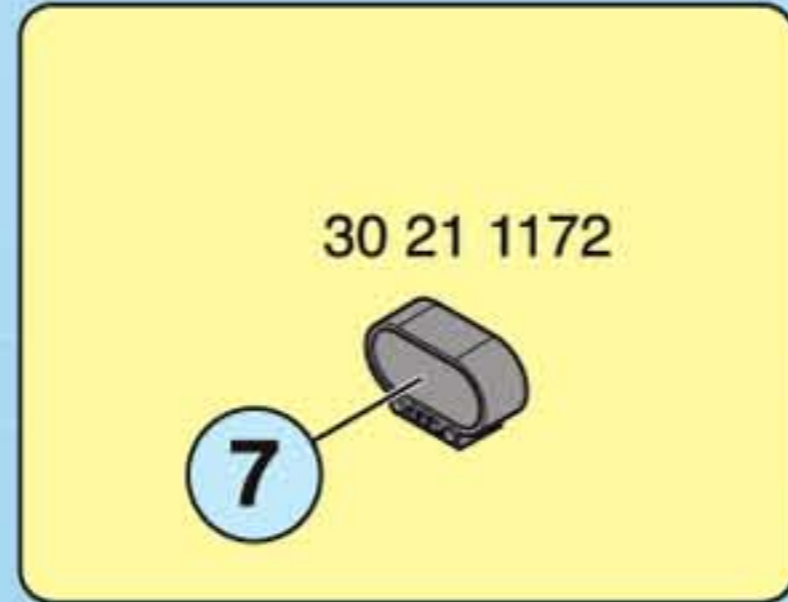
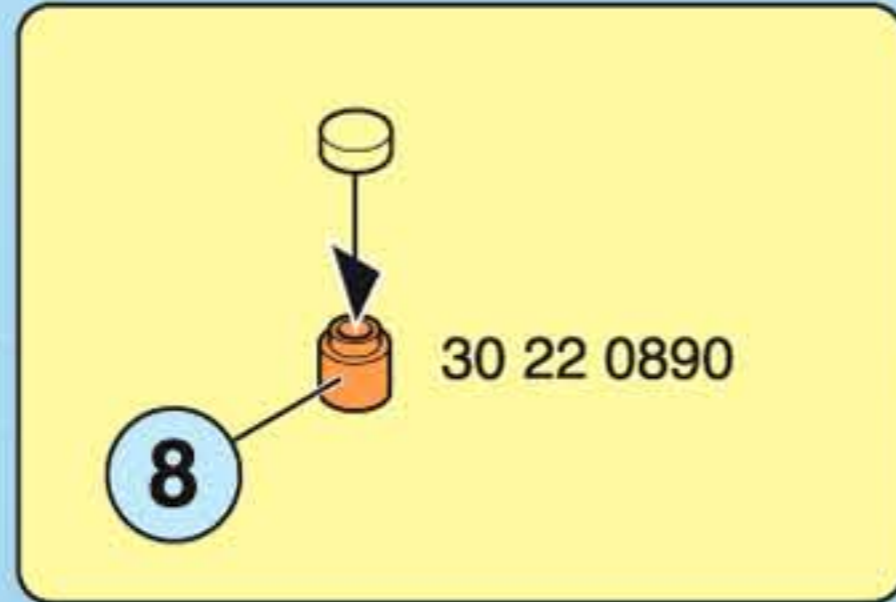
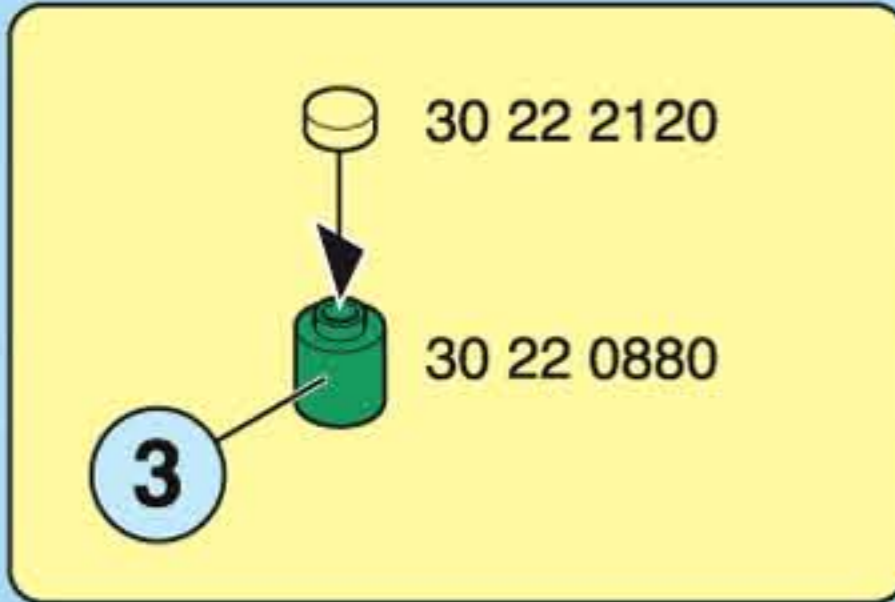
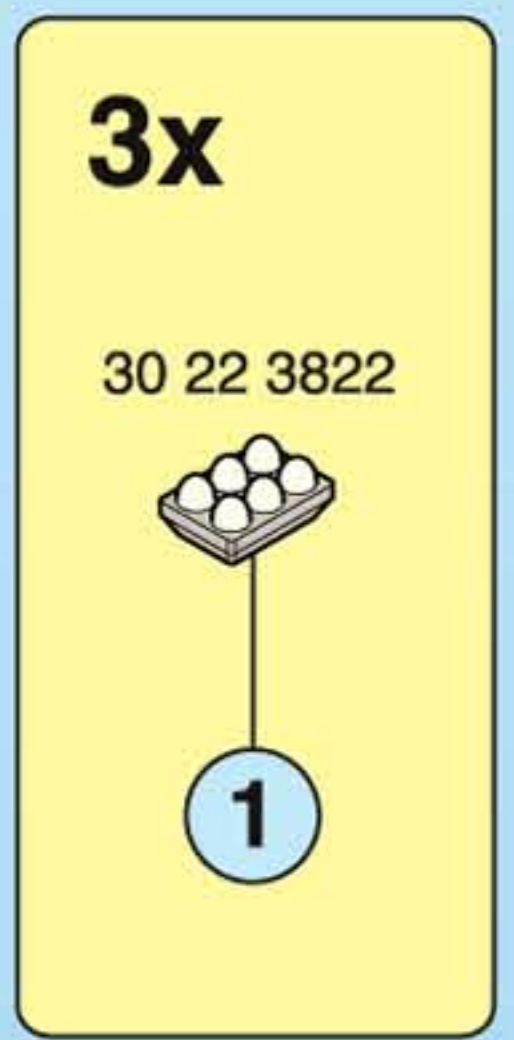
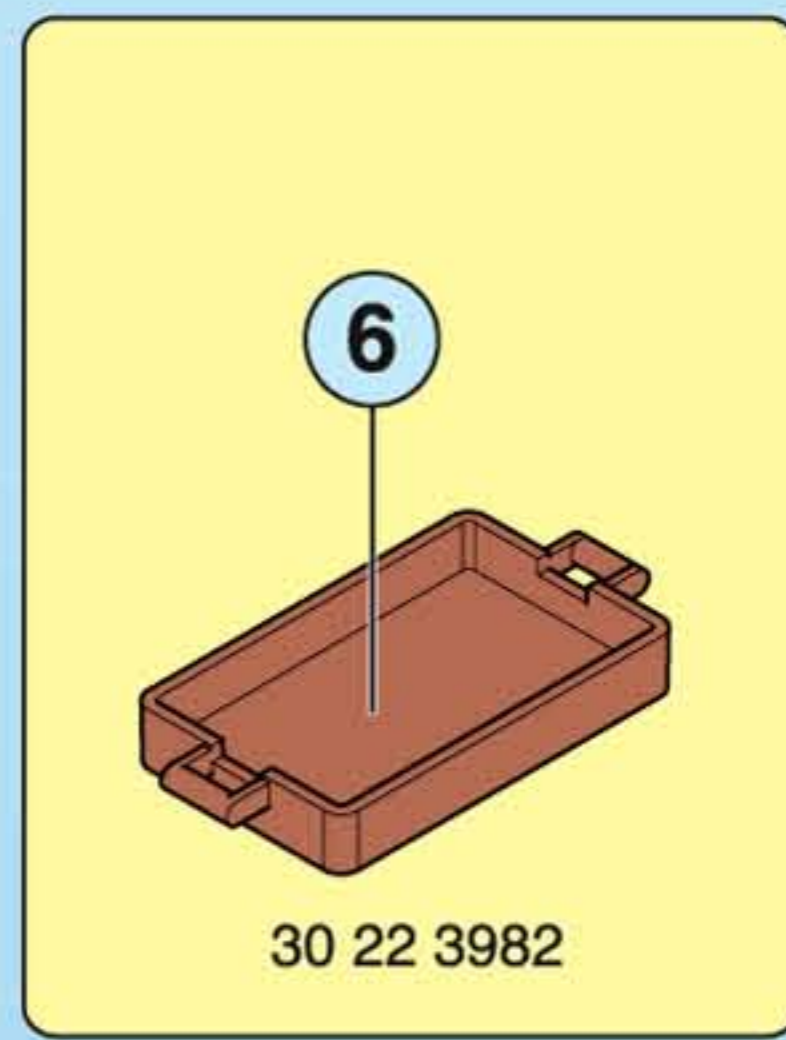
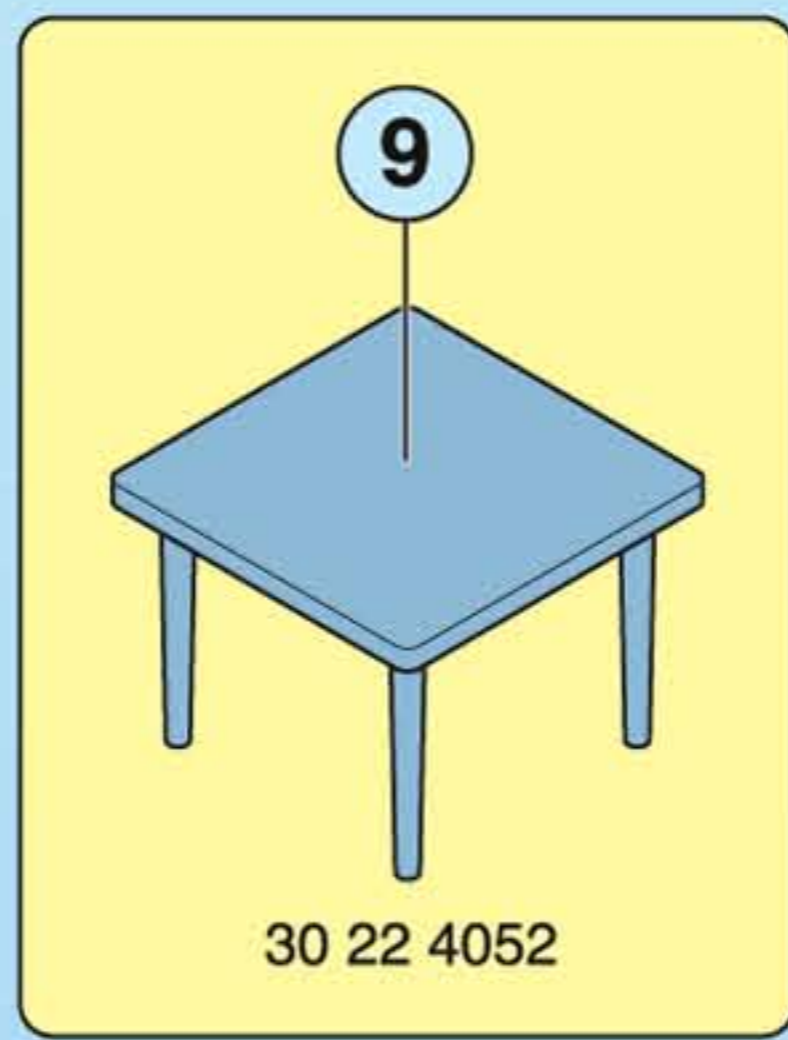
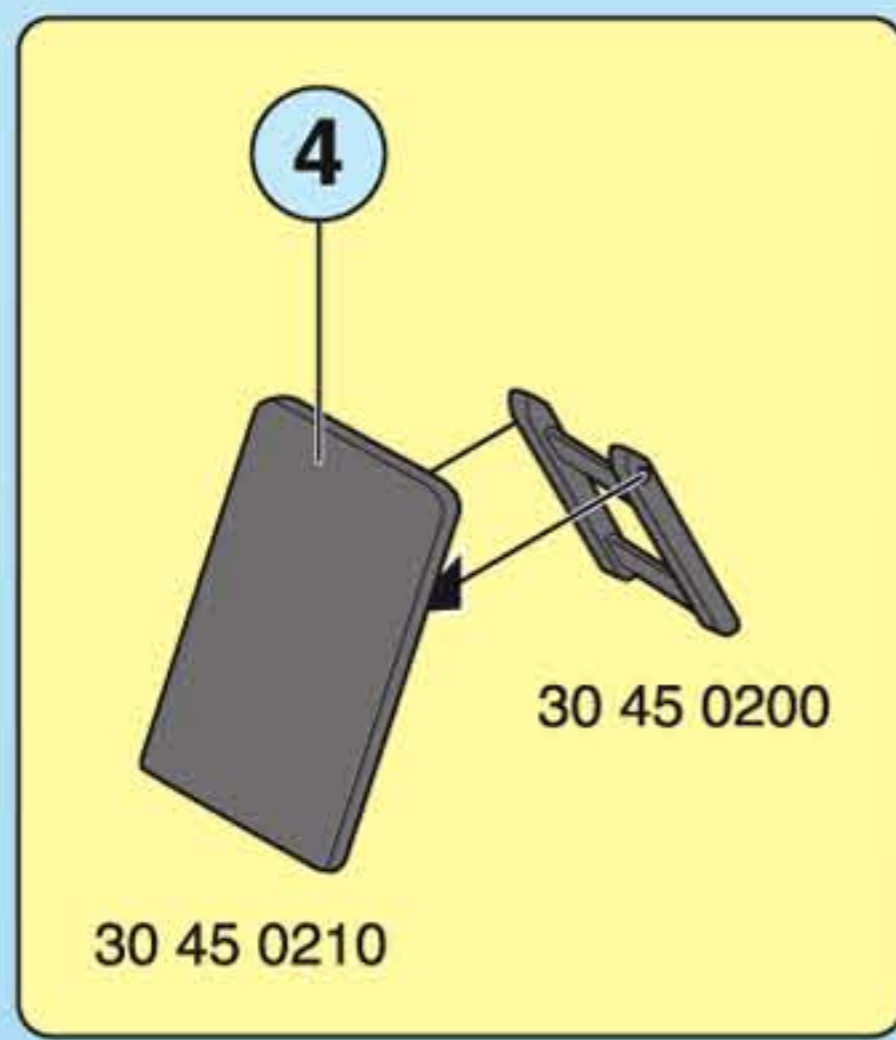


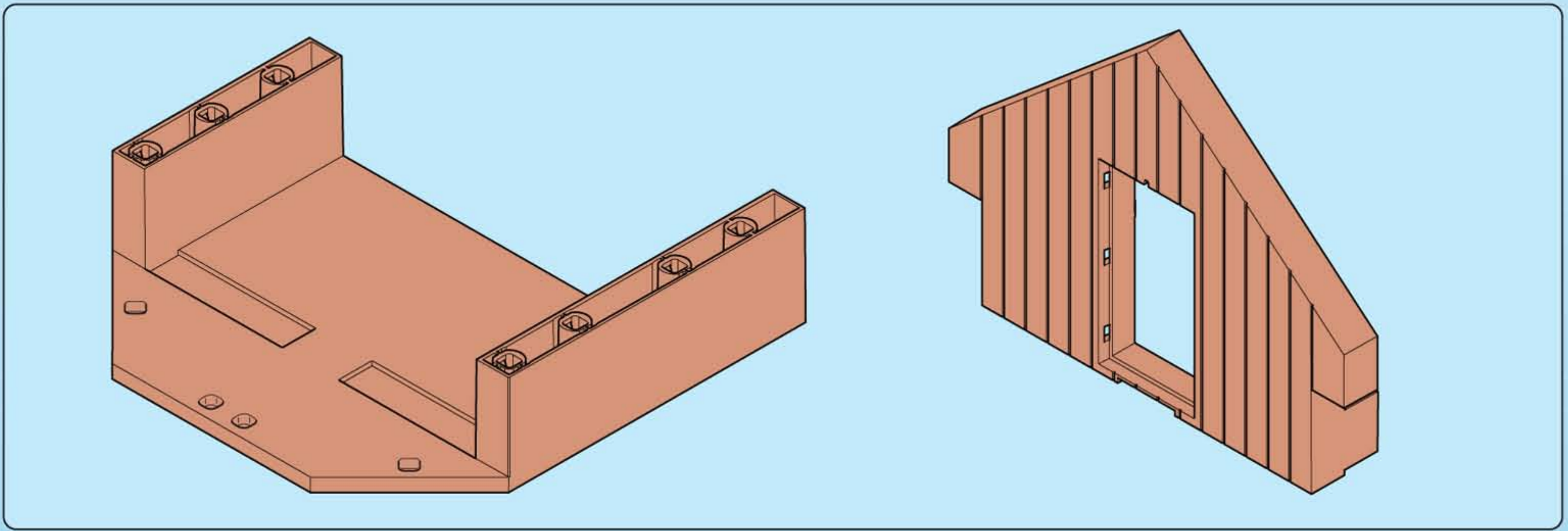
2



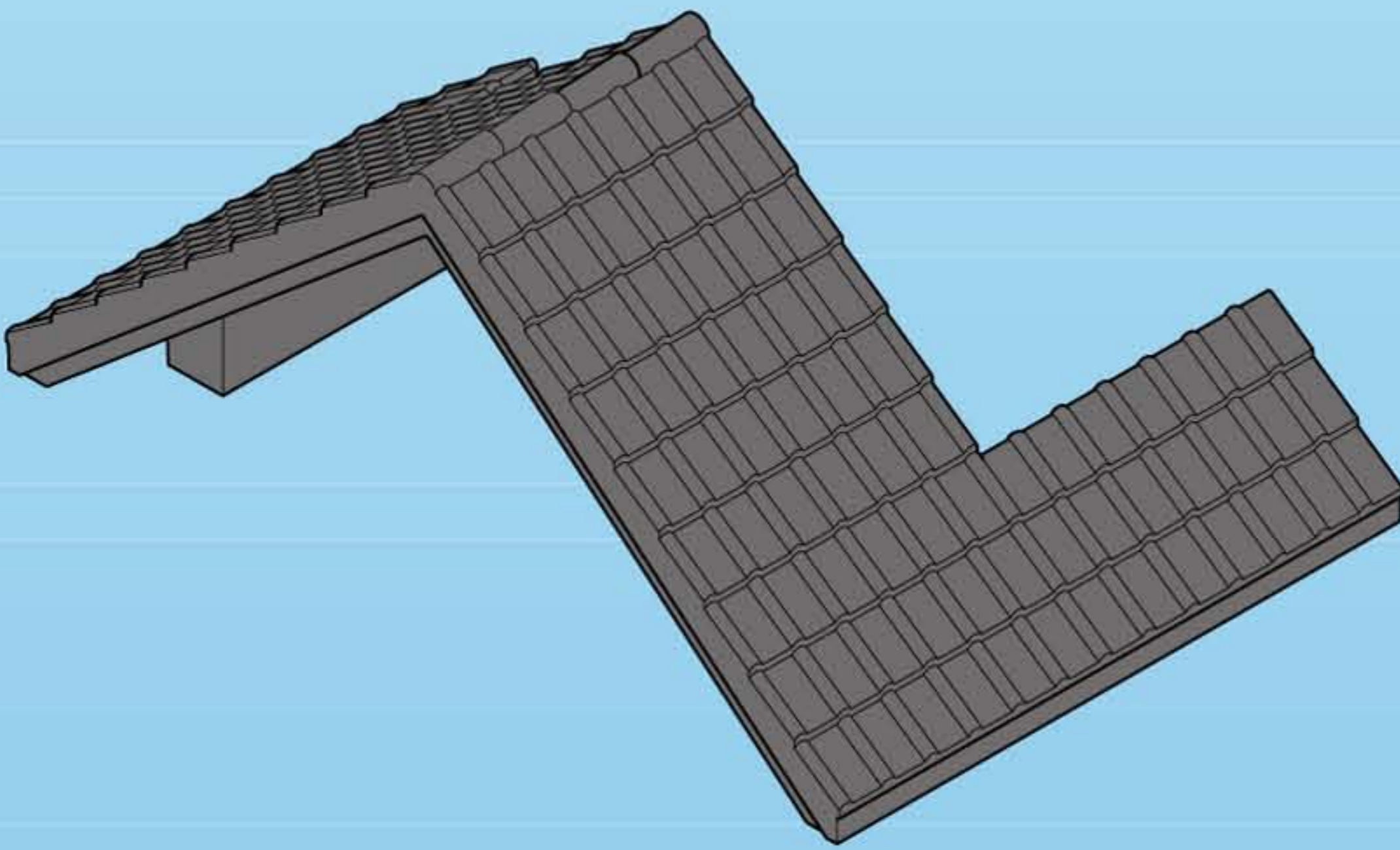
3



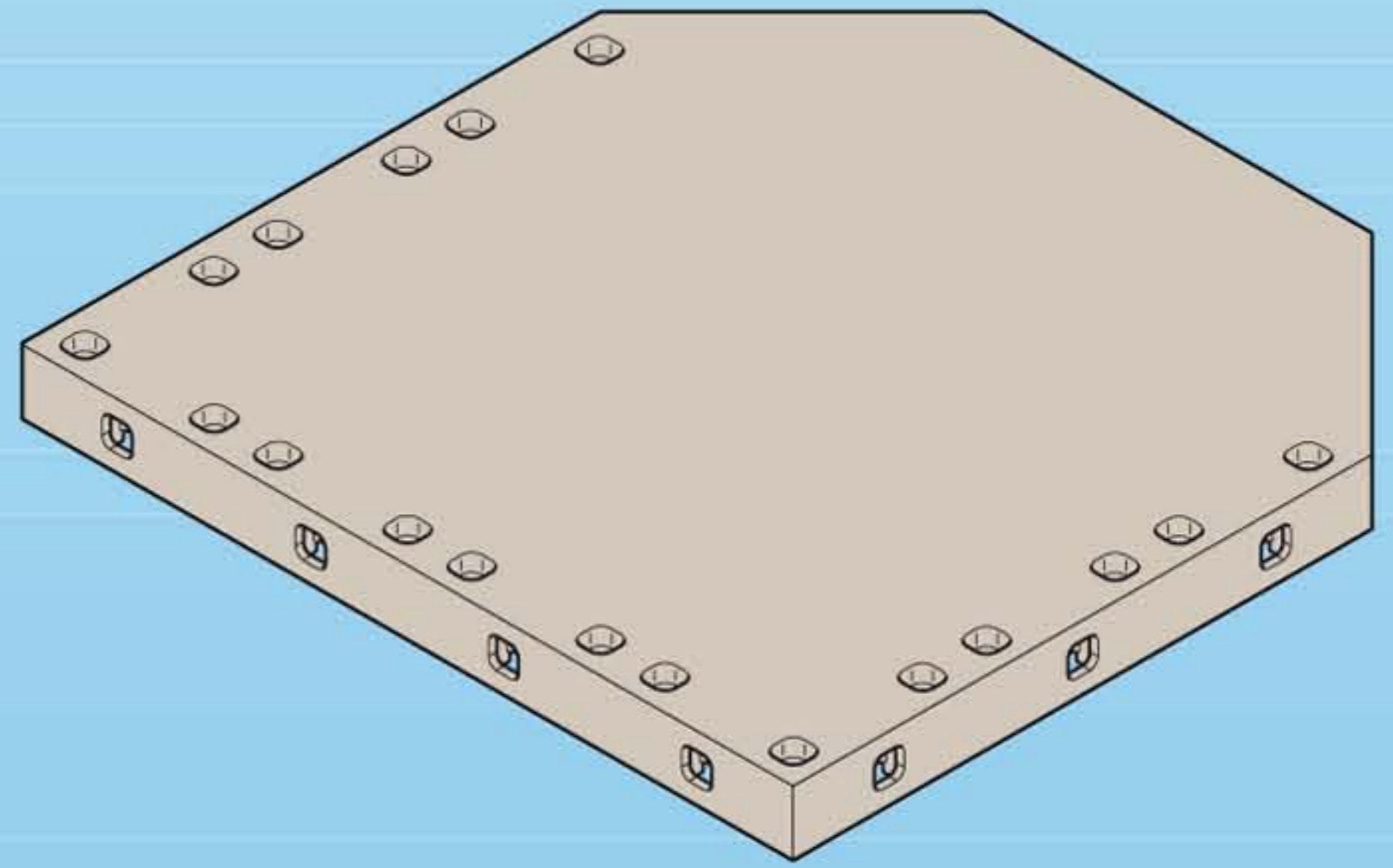




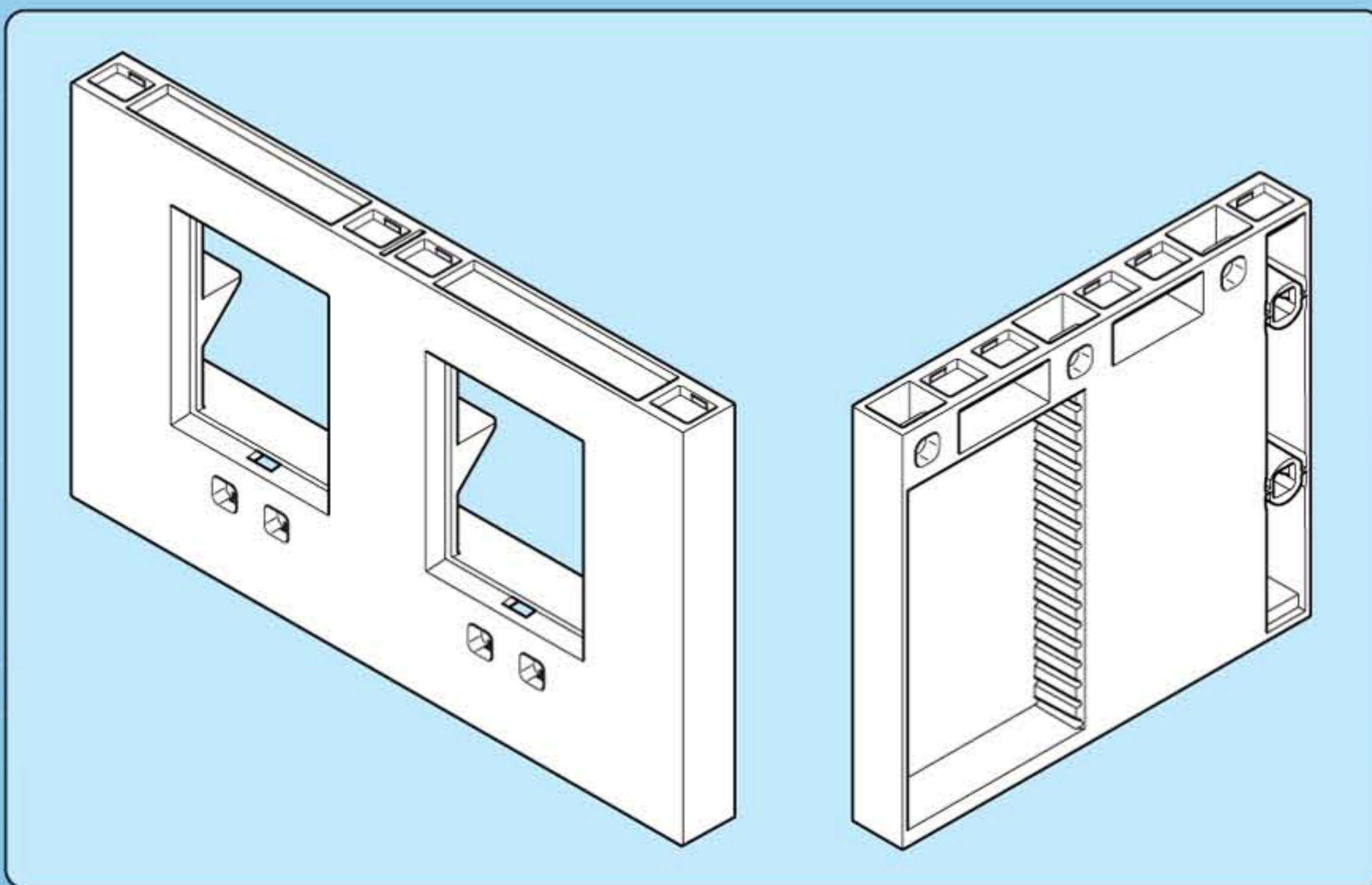
30 51 9120



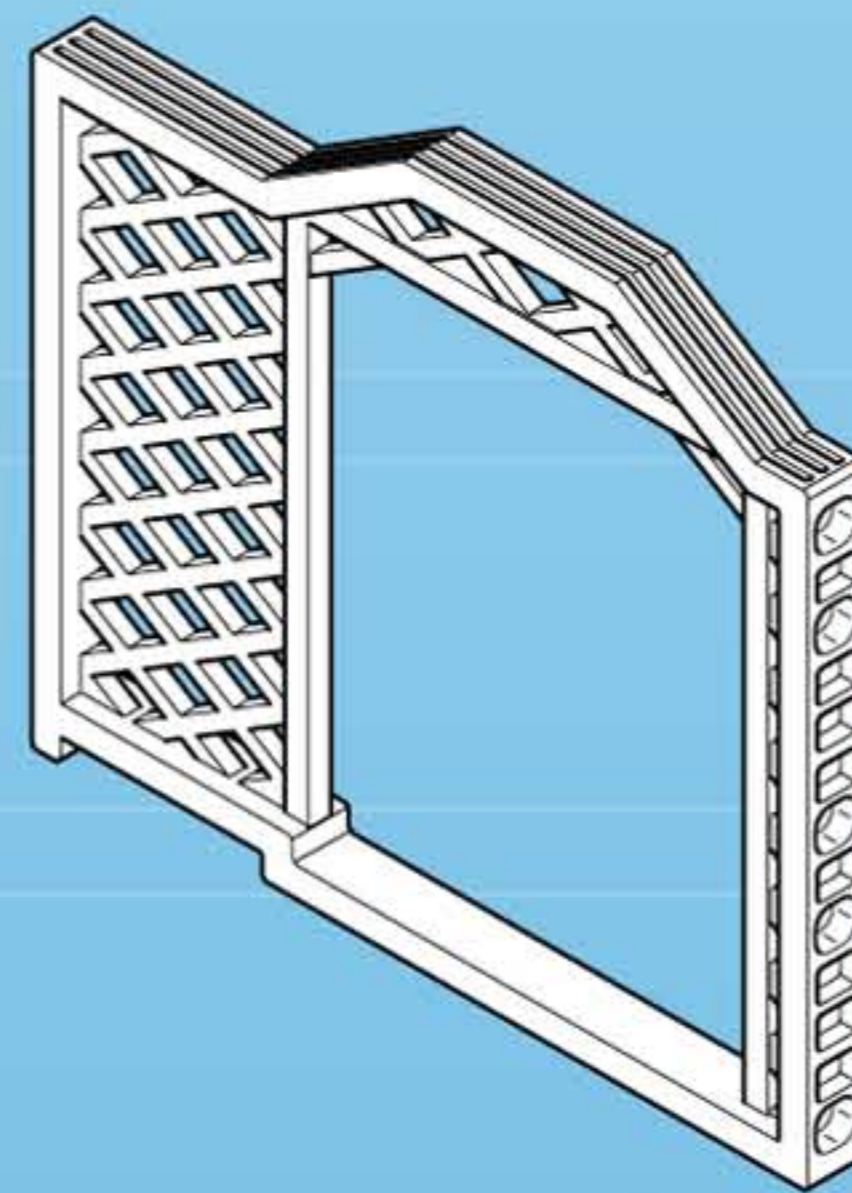
30 22 3902



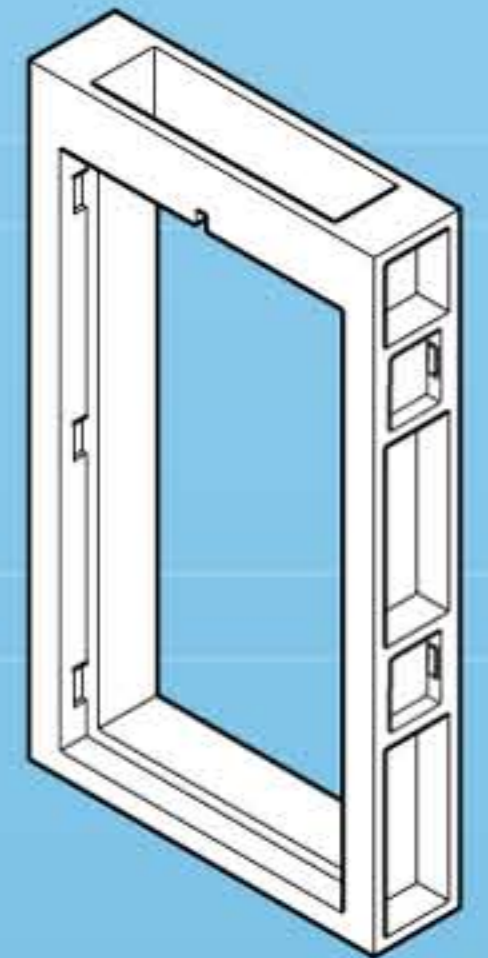
30 22 3882



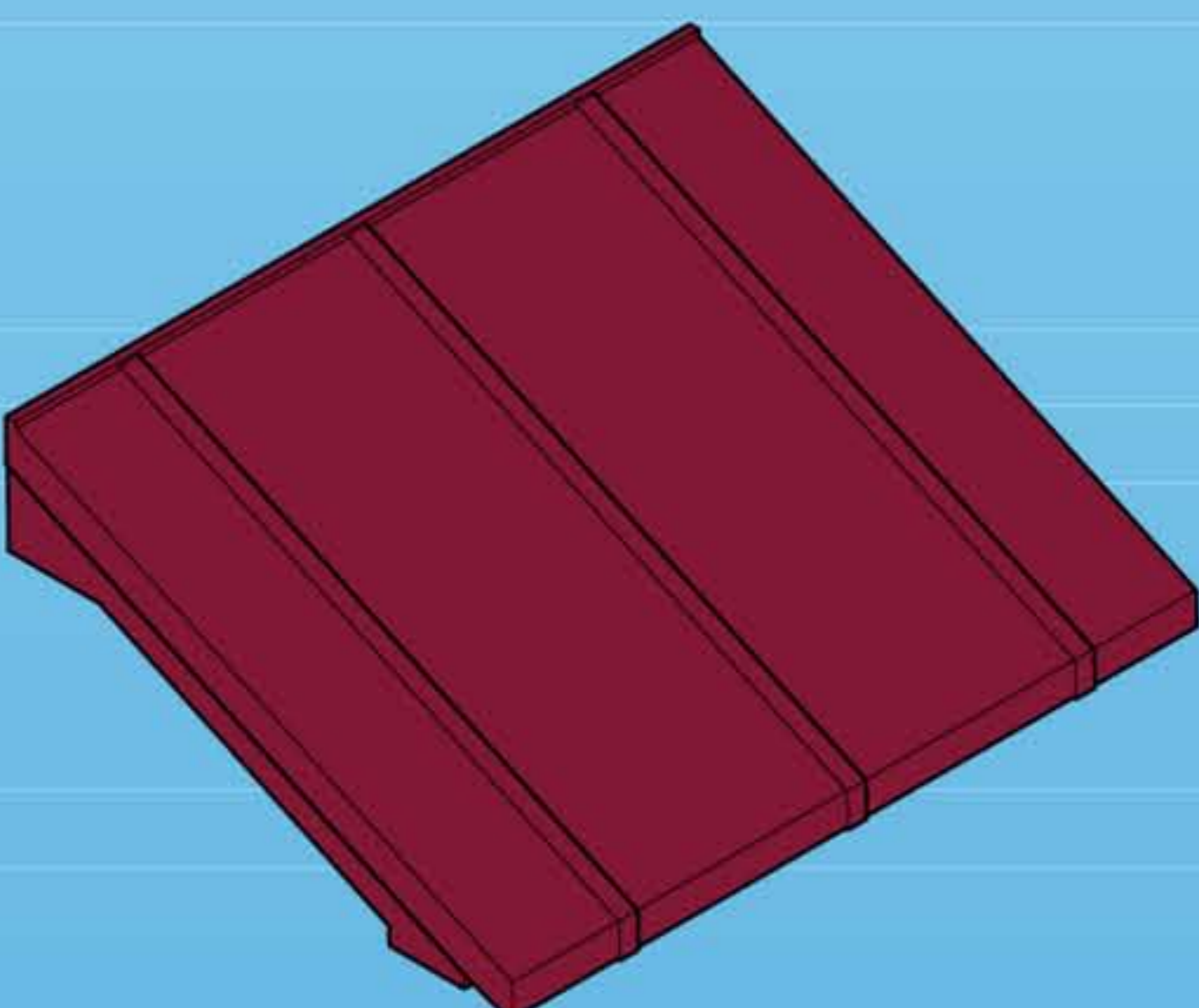
30 51 9130



30 22 3852



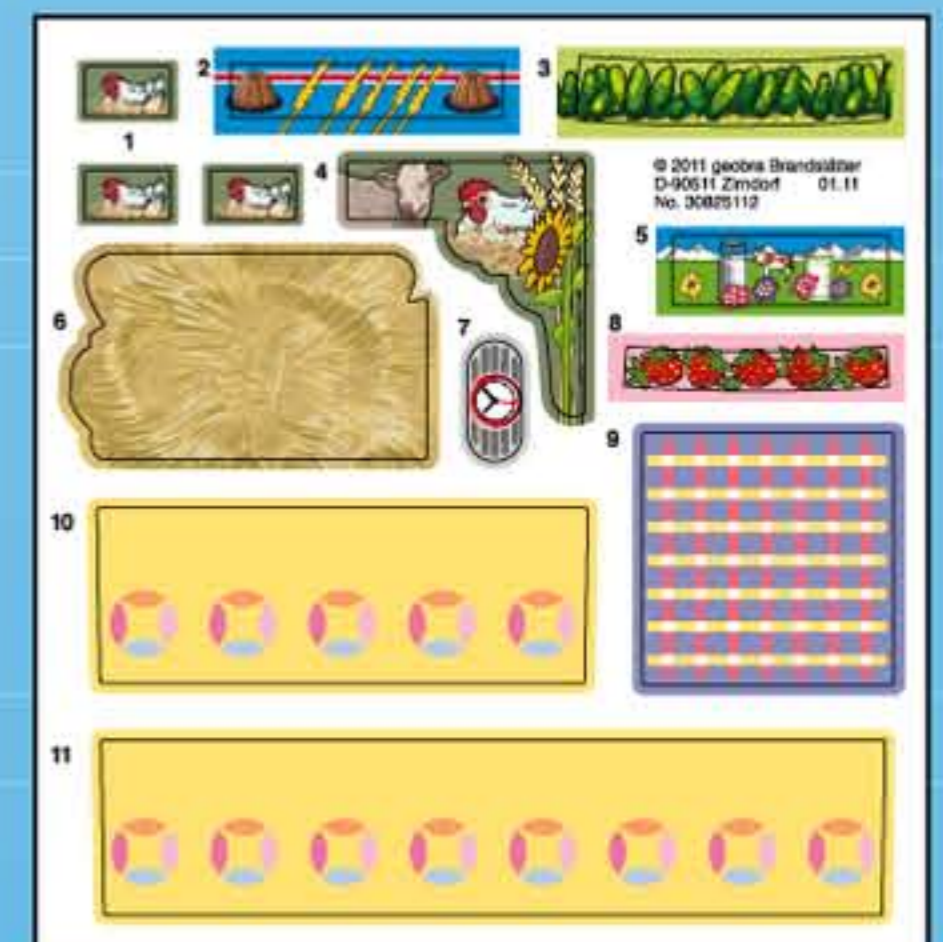
30 22 3932



30 22 4072



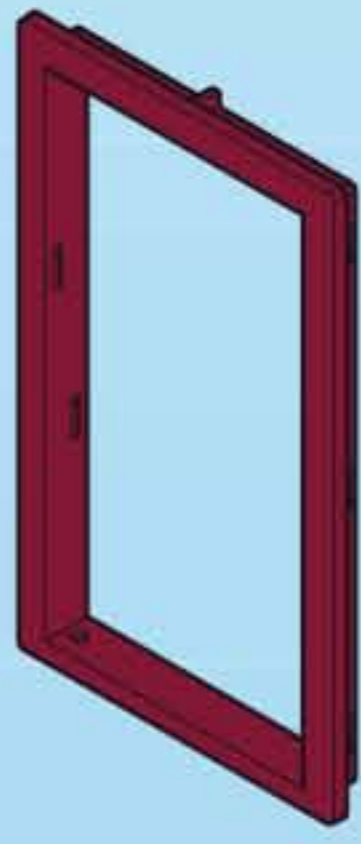
30 22 3912



30 82 5112



30 23 8630



30 22 4092



30 22 3952



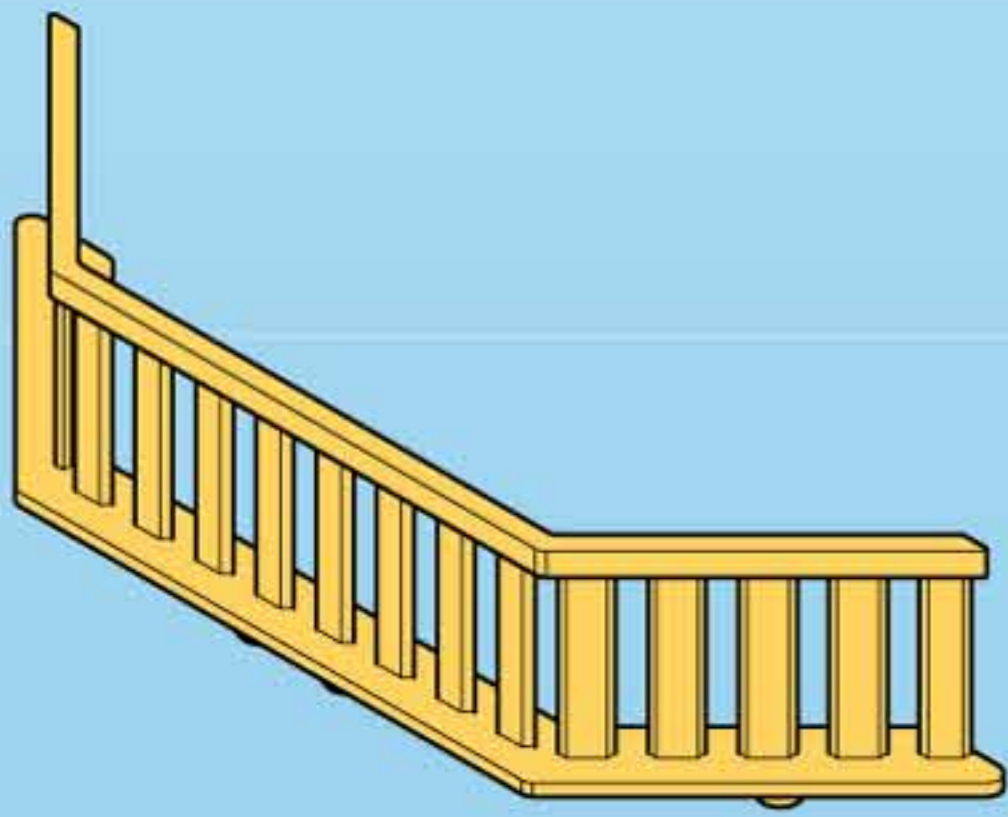
30 22 4182



30 22 3972



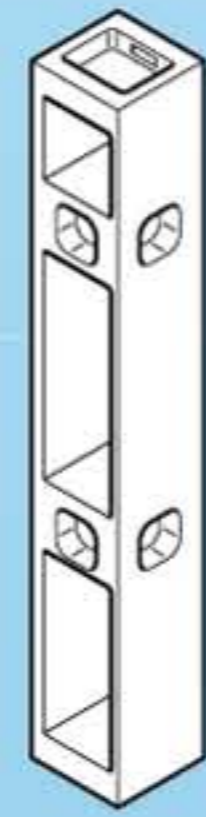
30 25 6550



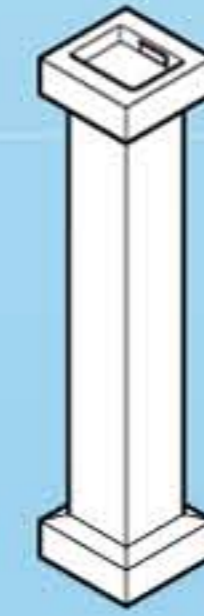
30 22 3892



30 28 8830



30 22 3922



30 29 5870



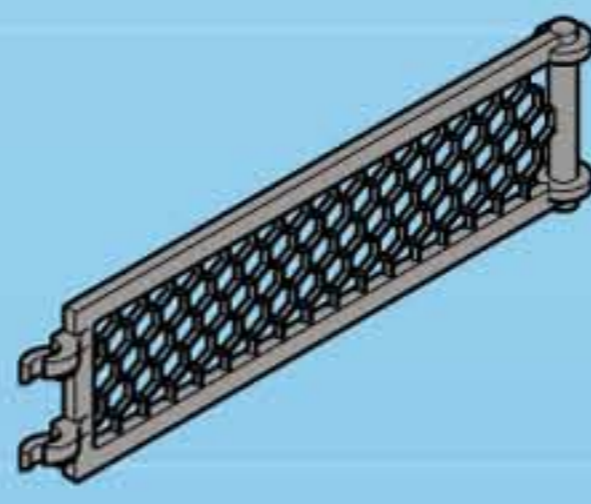
30 22 3862



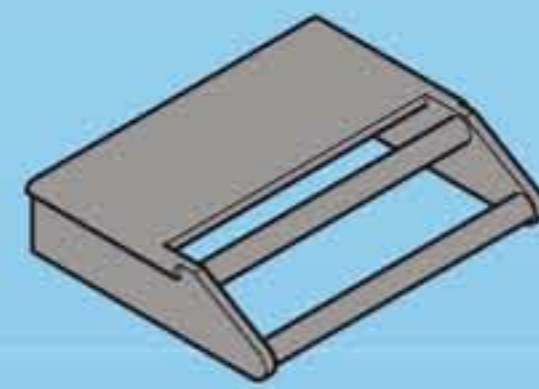
2x 30 22 4082



2x 30 22 4222



6x 30 22 4202



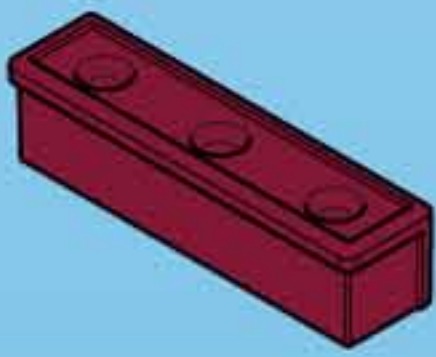
30 24 8300



30 24 8030



2x 30 21 4422



2x 30 22 3962



2x 30 28 7650



30 24 3640



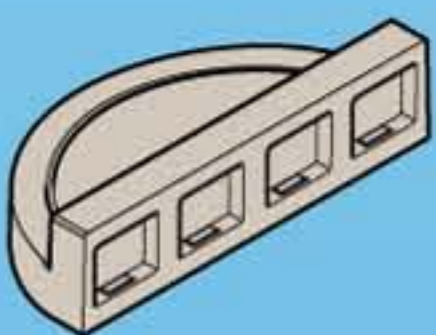
30 29 5950



2x 30 22 1290



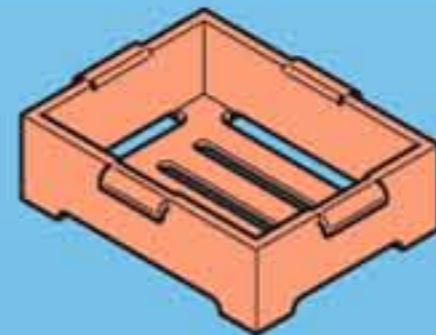
2x 30 21 1072



30 22 3872



30 22 3942



3x 30 23 1030



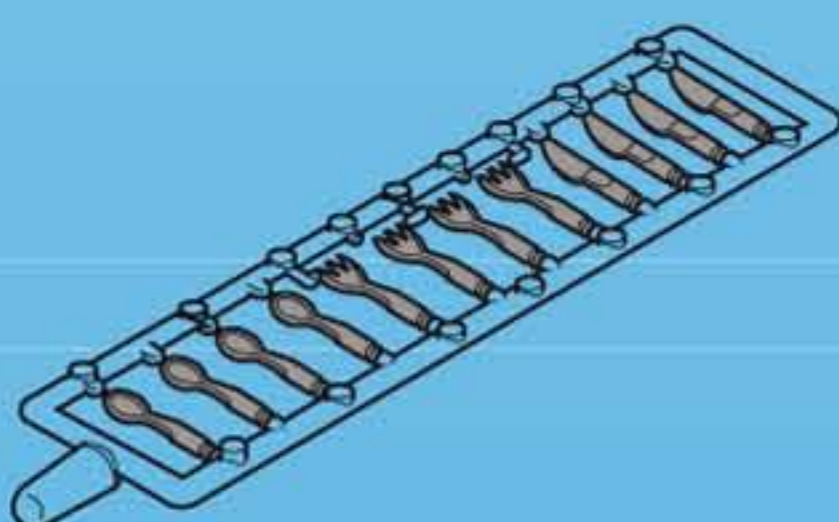
30 09 7050



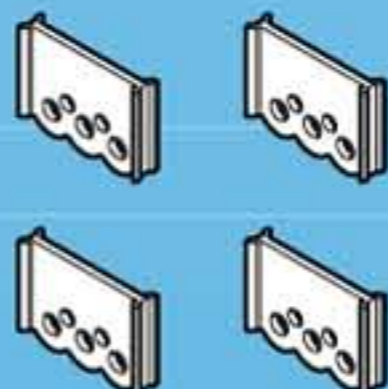
3x 30 23 1050



30 80 5350



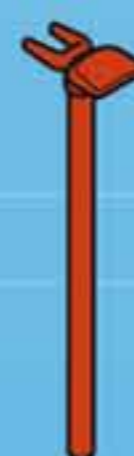
30 61 0420



30 51 9140



30 24 5430



30 25 2680



30 08 9730



30 89 5582



30 65 8822



30 20 5030



2x 30 22 4002



30 89 5492



30 89 5412



30 67 1830



2x 30 03 2920



30 09 6820



30 09 6790



2x 30 09 6770



2x 30 09 6830



30 09 6840



2x 30 05 4980



30 61 2170



2x 30 21 4402



30 89 5592



30 22 2192



30 21 2060



30 61 7620



30 23 1730



30 22 4012



30 83 0140



30 05 8610



30 29 2130



30 26 7950



3x 30 20 9960



2x 30 63 3042



30 25 0080



30 28 7180



4x 30 22 3832



16x 30 03 6600



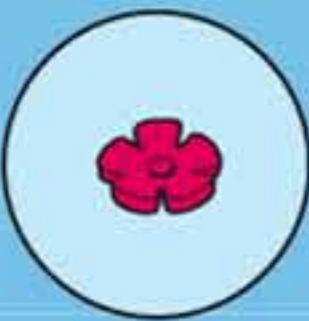
32x 30 09 6900



4x 30 05 9729



6x 30 09 5209



6x 30 05 8719



2x 30 22 5859



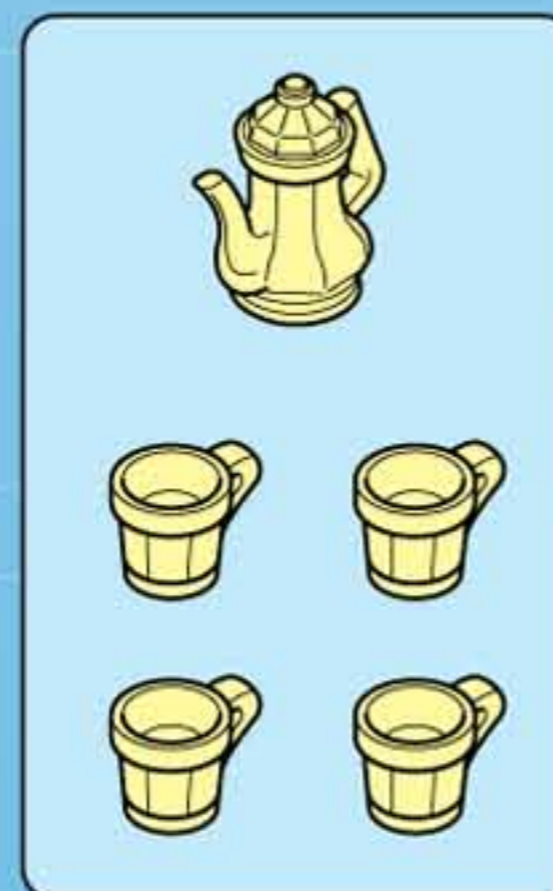
6x 30 25 1280



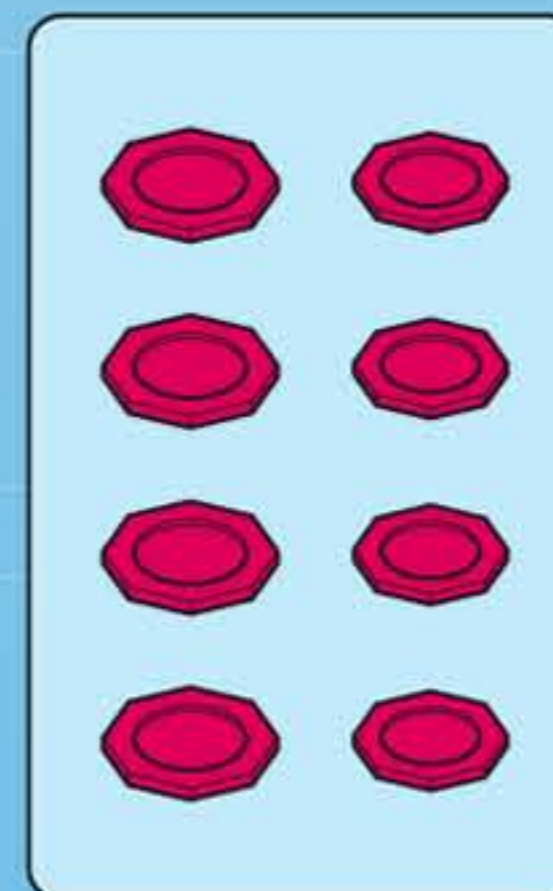
6x 30 25 0010



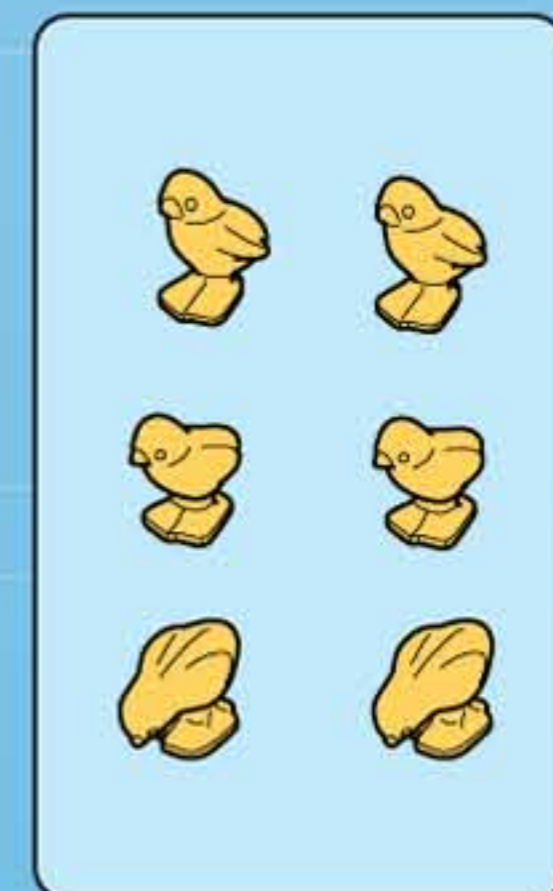
6x 30 25 0020



30 61 9980



30 61 4610



30 51 9150

Serviceadressen finden Sie in allen Playmobil-Prospekten

Addresses of Customer Service Departments are shown in all Playmobil catalogues

L'adresse du service consommateurs est indiquée dans tous les catalogues Playmobil

Troverete gli indirizzi dei centri di assistenza in tutti i cataloghi Playmobil

In alle PLAYMOBIL catalogi vindt u het adres van onze klantendienst.

Las Direcciones de los Departamentos de Servicio al Consumidor se encuentran en todos los catálogos Playmobil

Η διεύθυνση του Γραφείου Εξυπηρέτησης Πελατών είναι καταχωρημένη σε όλους τους καταλόγους Playmobil

pronounce: plāy-mō-bēēl