

playmobil®

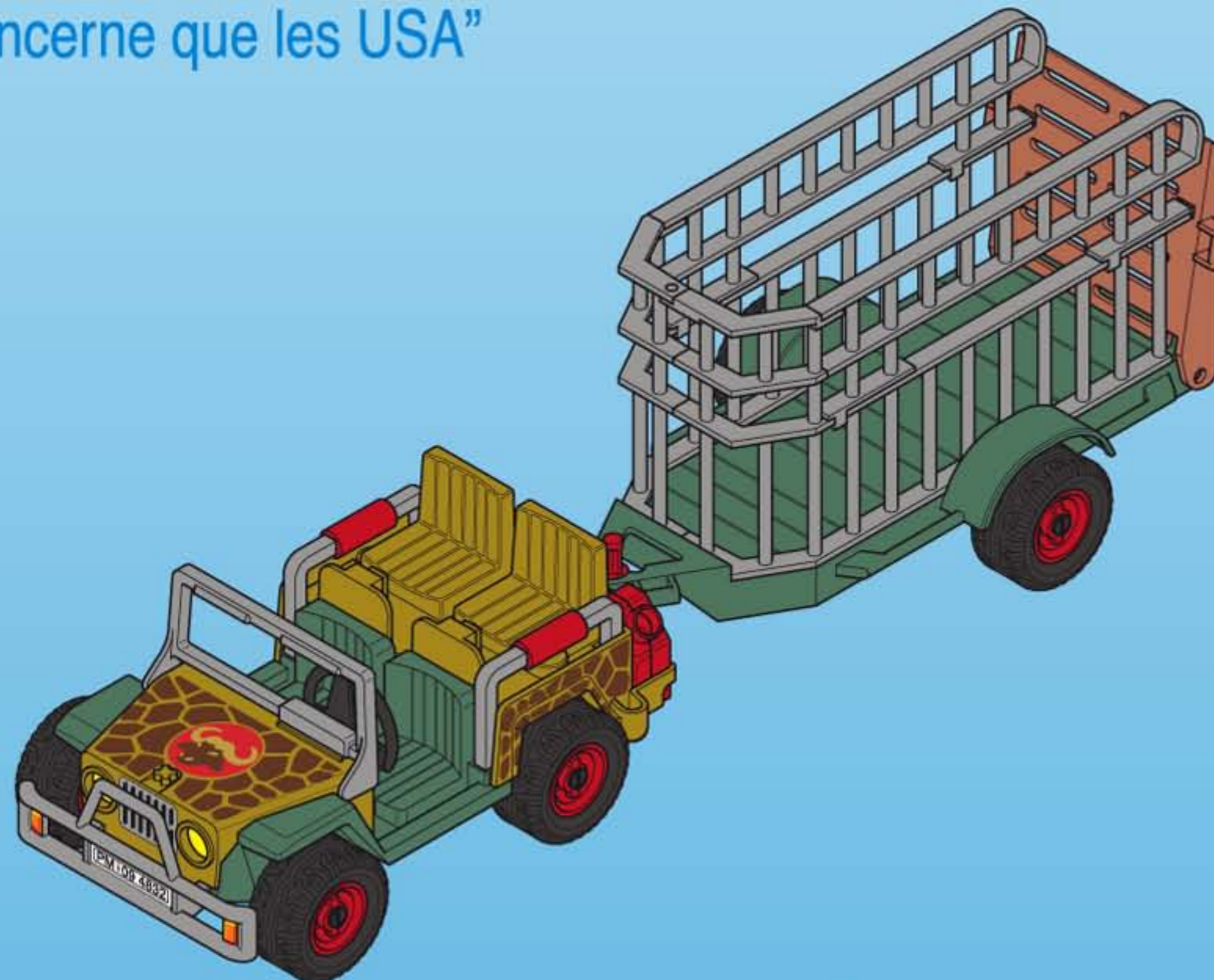
4832



WARNING: CHOKING HAZARD

Small parts. Not for children under 3 years.

"Ne concerne que les USA"



Wichtige Unterlagen, bitte sorgfältig aufbewahren !
Important documents keep carefully !
Documents importants conservez avec soin !
Belangrijke documenten, bewaar deze zorgvuldig!

Serviceadressen finden Sie in allen Playmobil-Prospekten

Addresses of Customer Service Departments are shown in all Playmobil catalogues

L'adresse du service consommateurs est indiquée dans tous les catalogues Playmobil

Troverete gli indirizzi dei centri di assistenza in tutti i cataloghi Playmobil

In alle PLAYMOBIL catalogi vindt u het adres van onze klantendienst.


Las Direcciones de los Departamentos de Servicio al Consumidor se encuentran en todos los catálogos Playmobil

Η διεύθυνση του Γραφείου Εξυπηρέτησεως Πελατών είναι καταχωρημένη σε όλους τους καταλόγους Playmobil

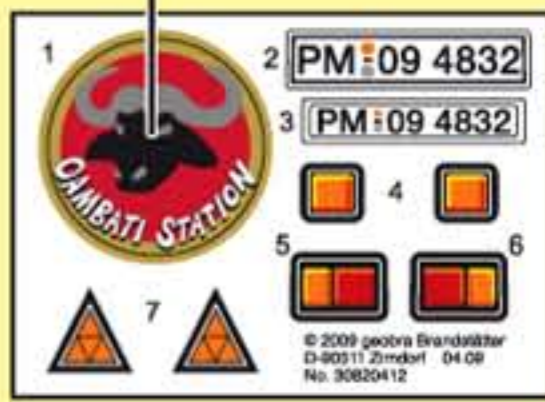
pronounce: plāy-mō-bēēl

1

30 09 5040




1



30 82 0412

Detailed description: This panel shows the first step of assembly. At the top, a red circular disc (part 30 09 5040) is shown with a line pointing to a circled '1'. Below it is a LEGO parts list for 'COMBAT STATION' with various colored and shaped pieces. At the bottom, a red circular disc (part 30 82 0412) is shown.

5x

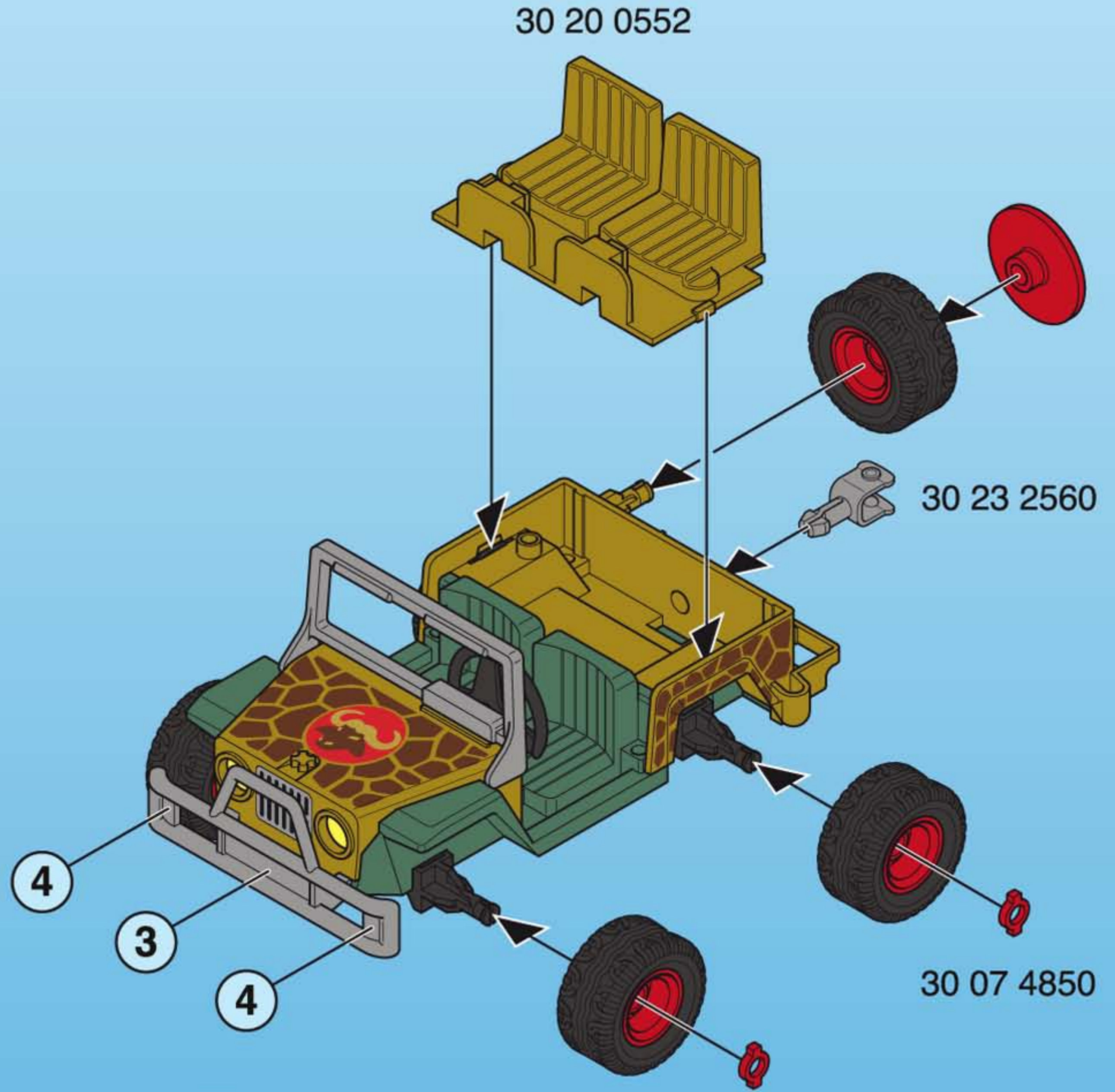


30 82 2130

30 20 2380

Detailed description: This panel shows the assembly of the wheels. It features a red axle (part 30 20 2380) and a black tire (part 30 82 2130). The text '5x' indicates that five of these wheel assemblies are required.

30 20 0552



30 23 2560

30 07 4850

4

3

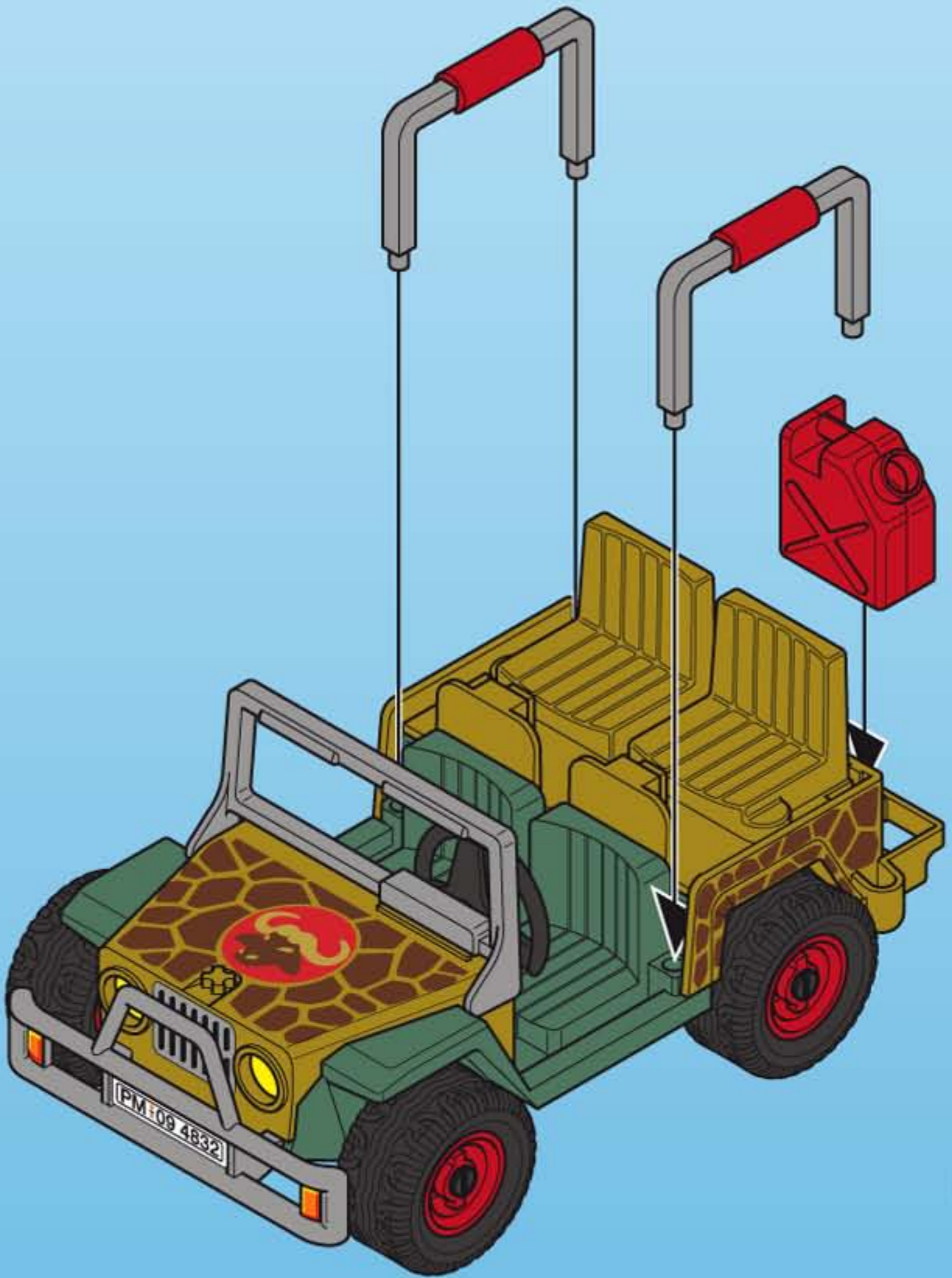
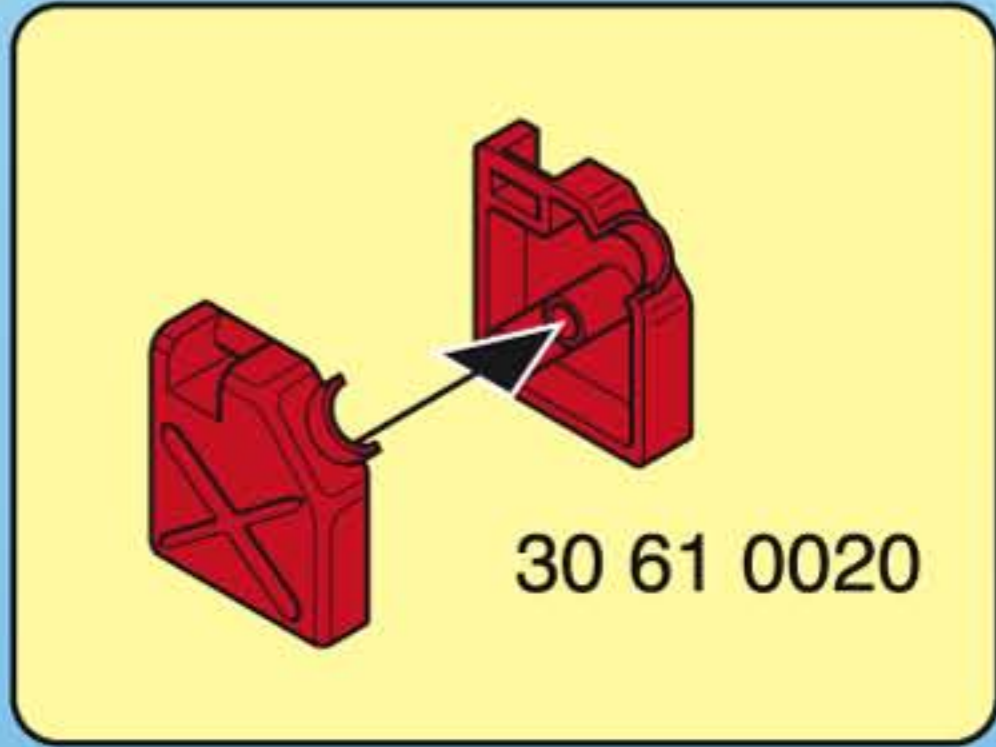
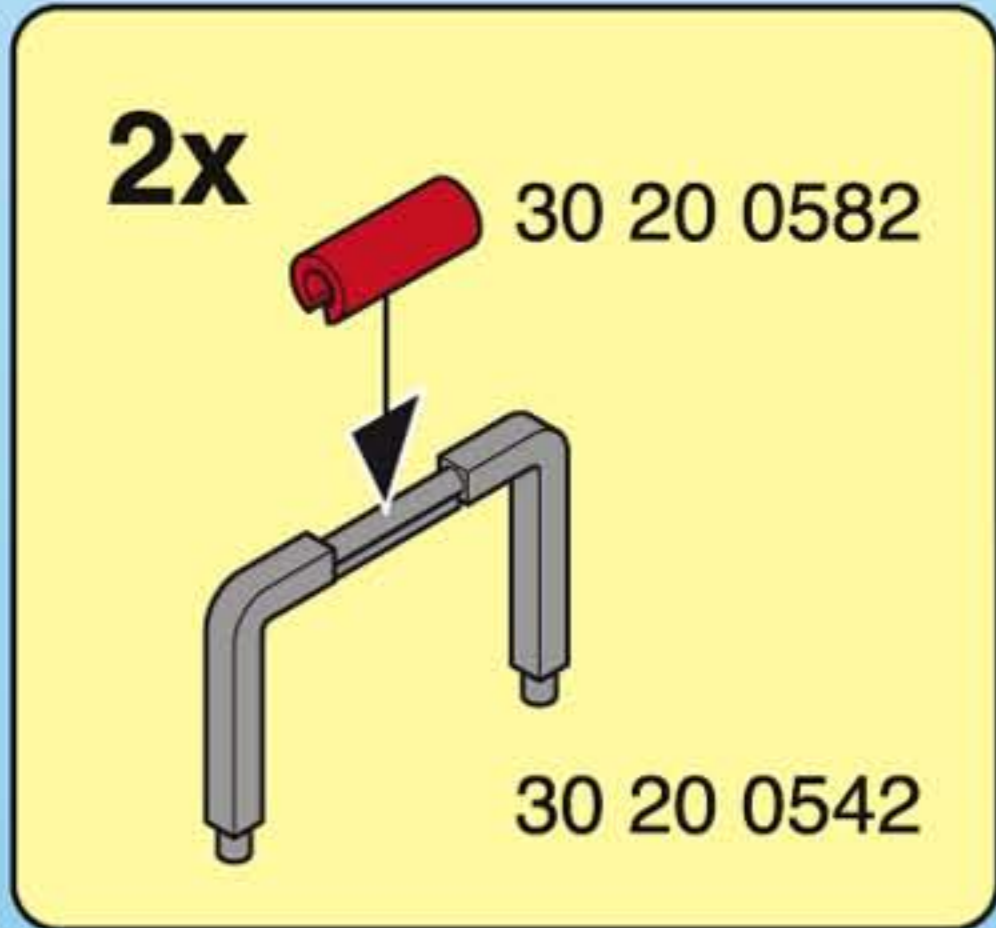
4

2

Detailed description: This is the main assembly diagram for step 2. It shows a yellow and green vehicle chassis with a red circular disc (part 30 09 5040) on top. A yellow seat assembly (part 30 20 0552) is being attached to the top. A grey connector (part 30 23 2560) is being inserted into the side. Four wheels (part 30 20 2380) with black tires (part 30 82 2130) are being attached to the bottom. A red ring (part 30 07 4850) is being attached to the end of the axle. Numbered callouts (1, 2, 3, 4) point to specific parts being assembled.

2

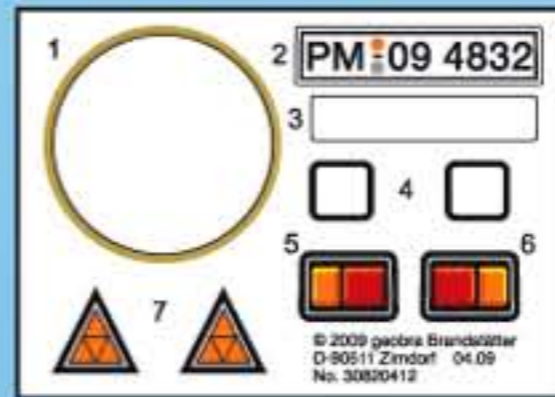
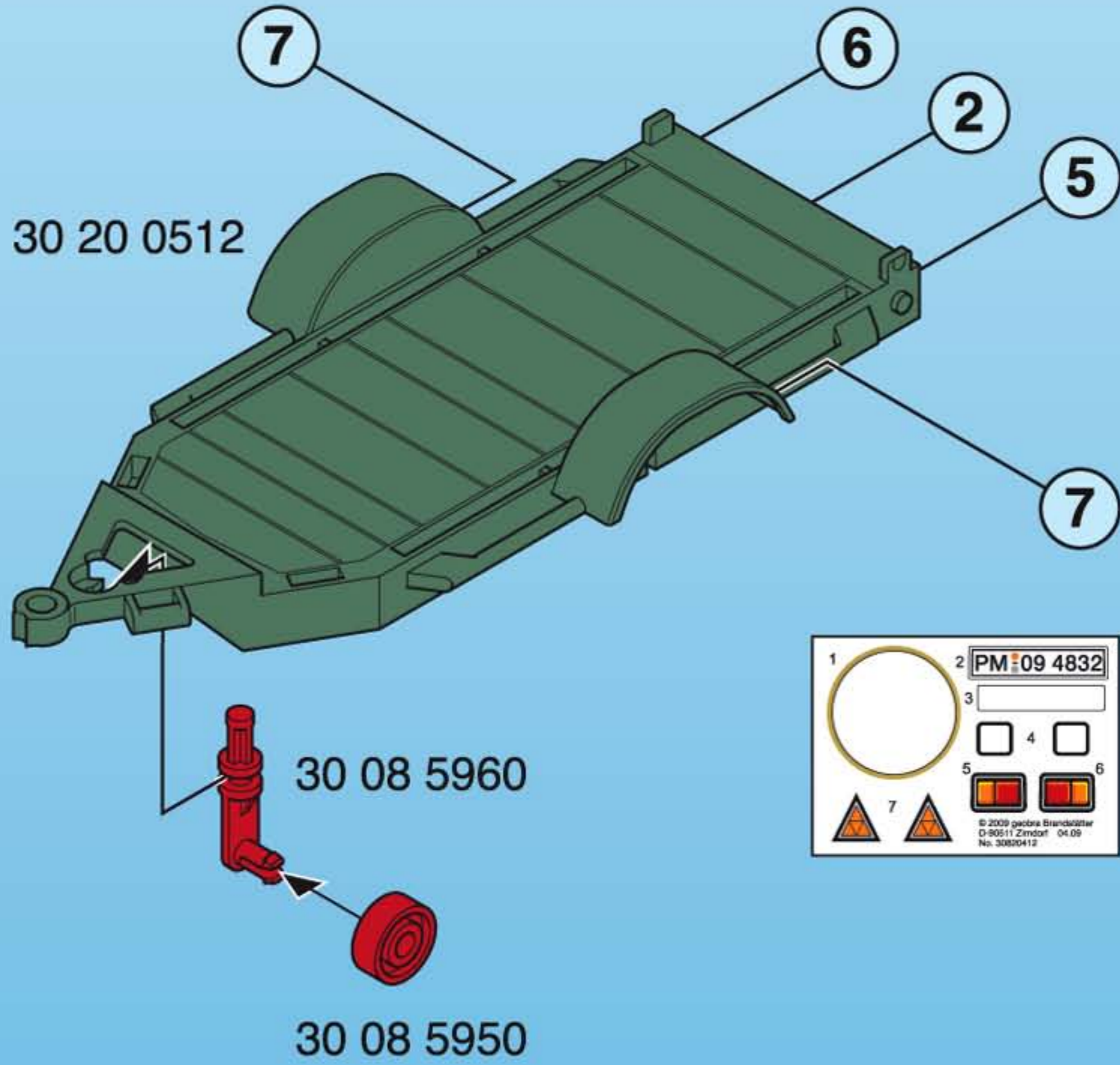
2



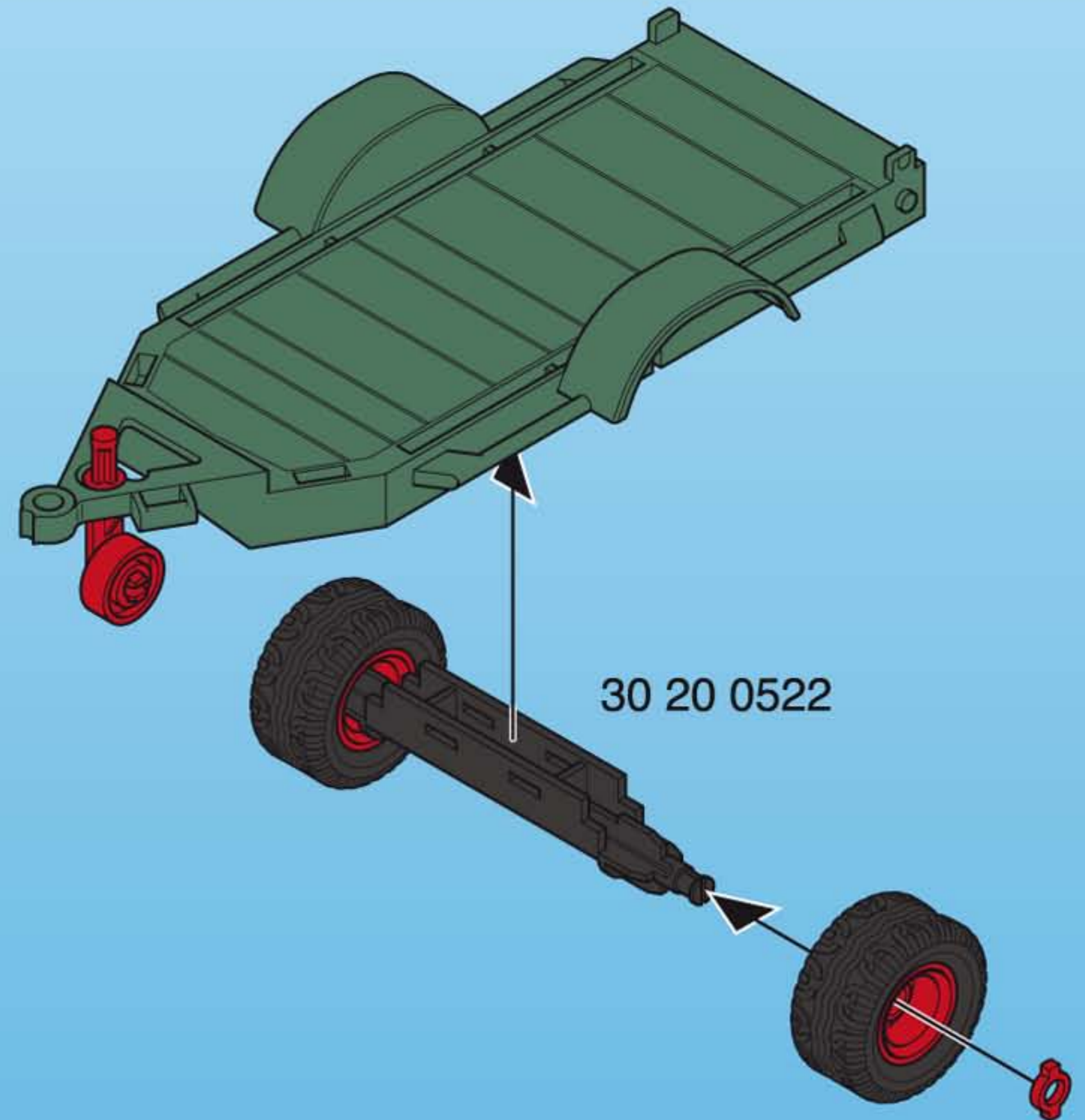
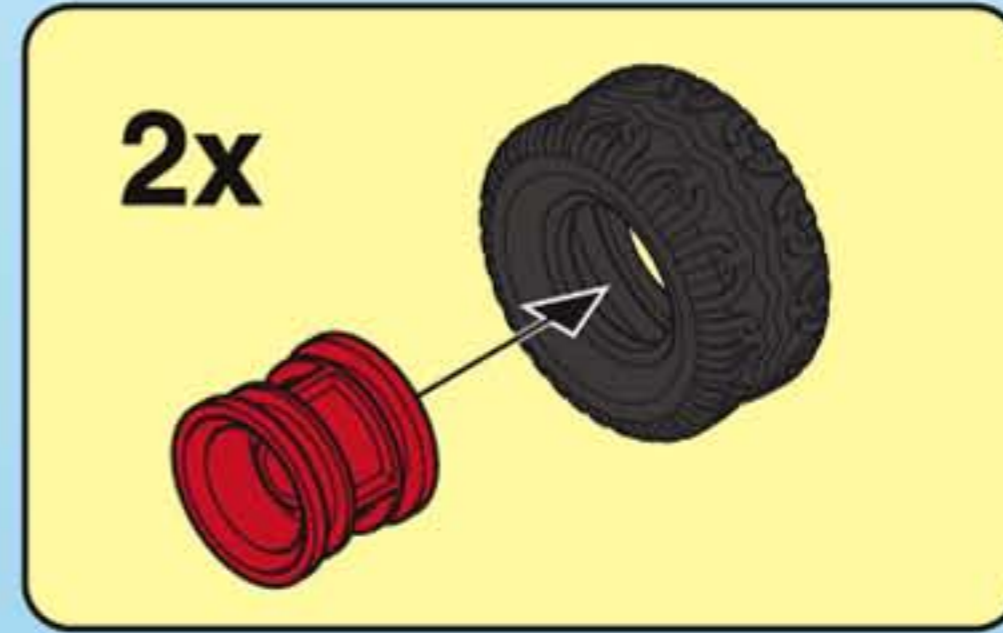
30 08 2050

3

1

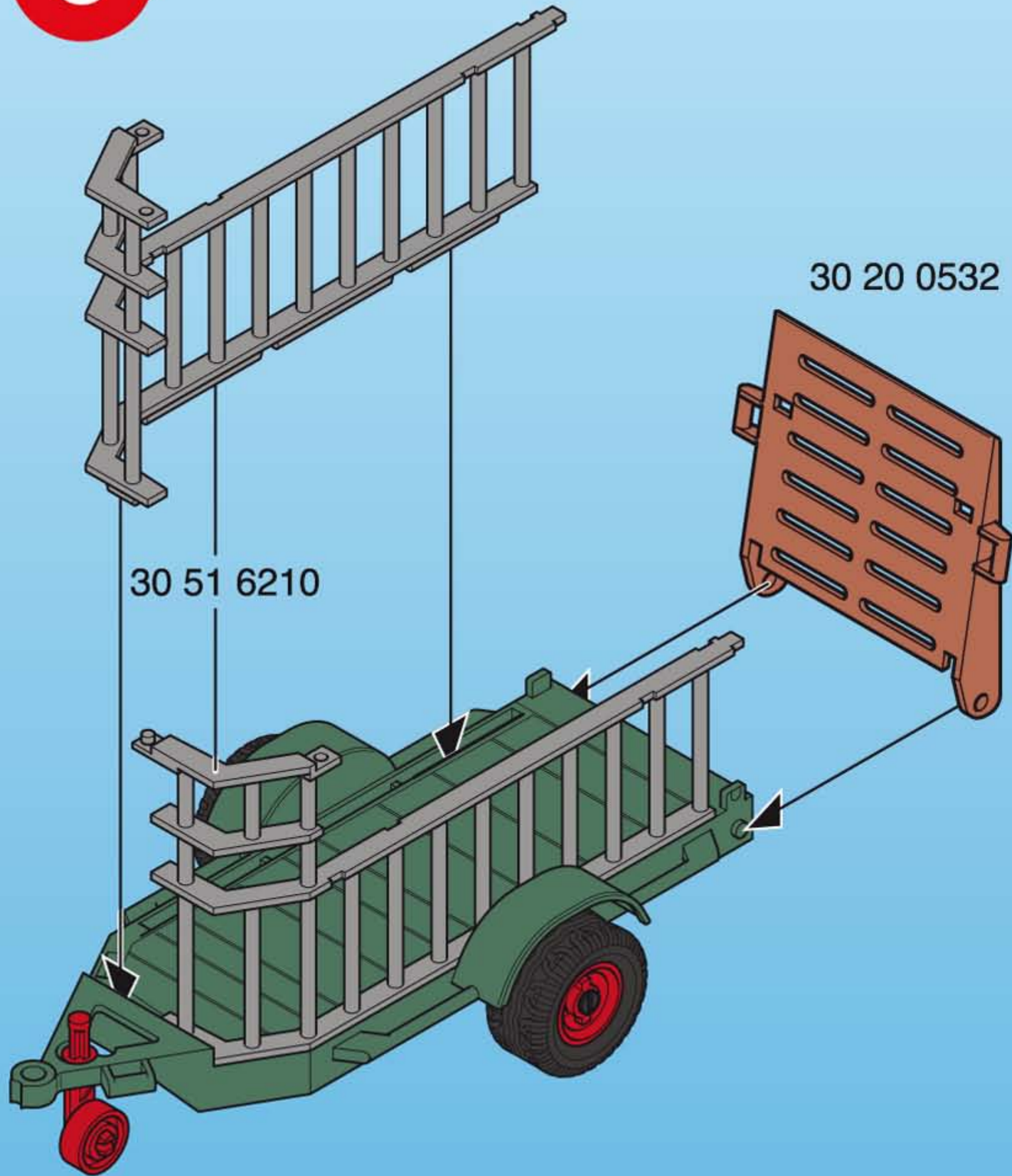


2

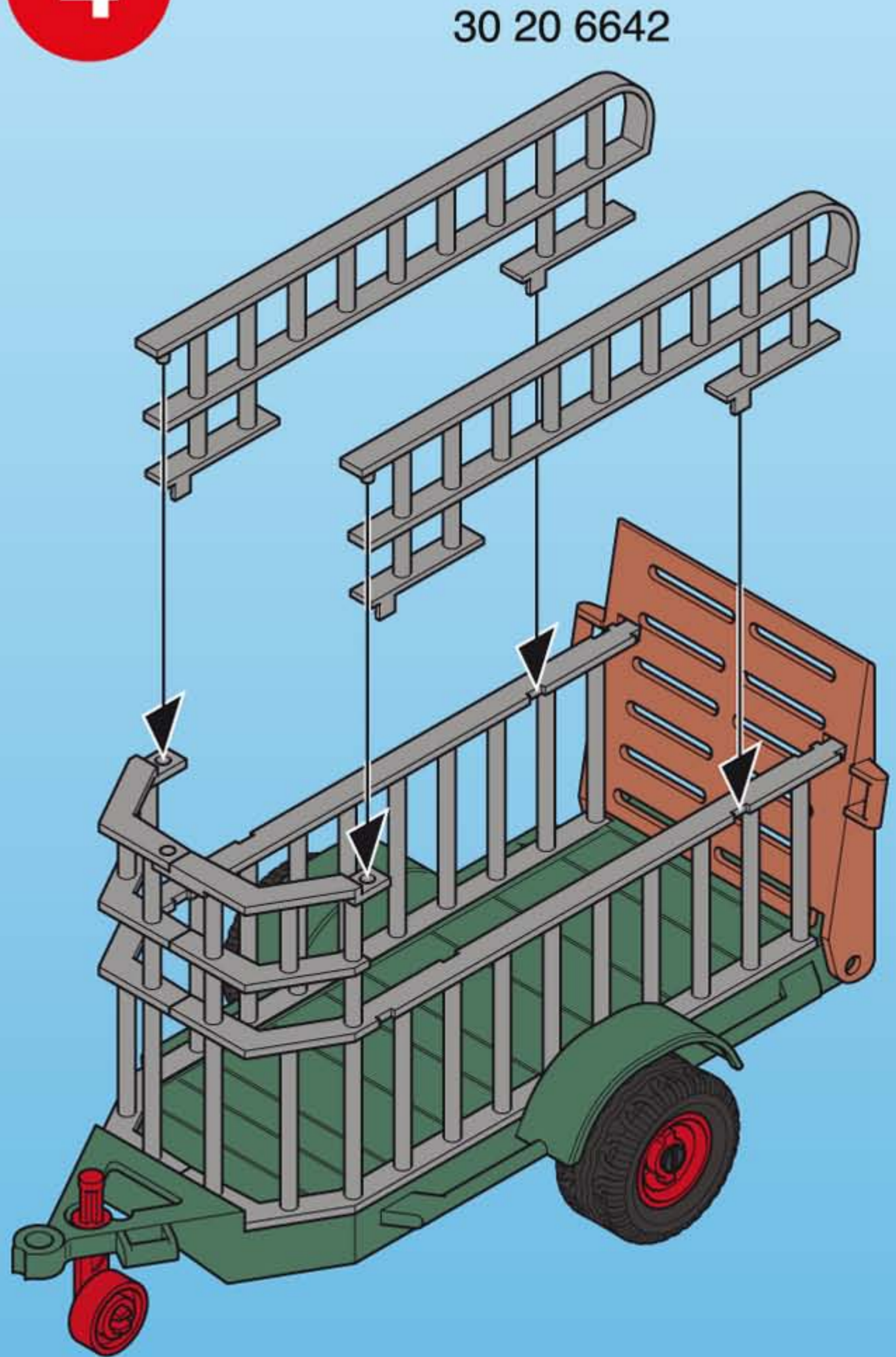


4

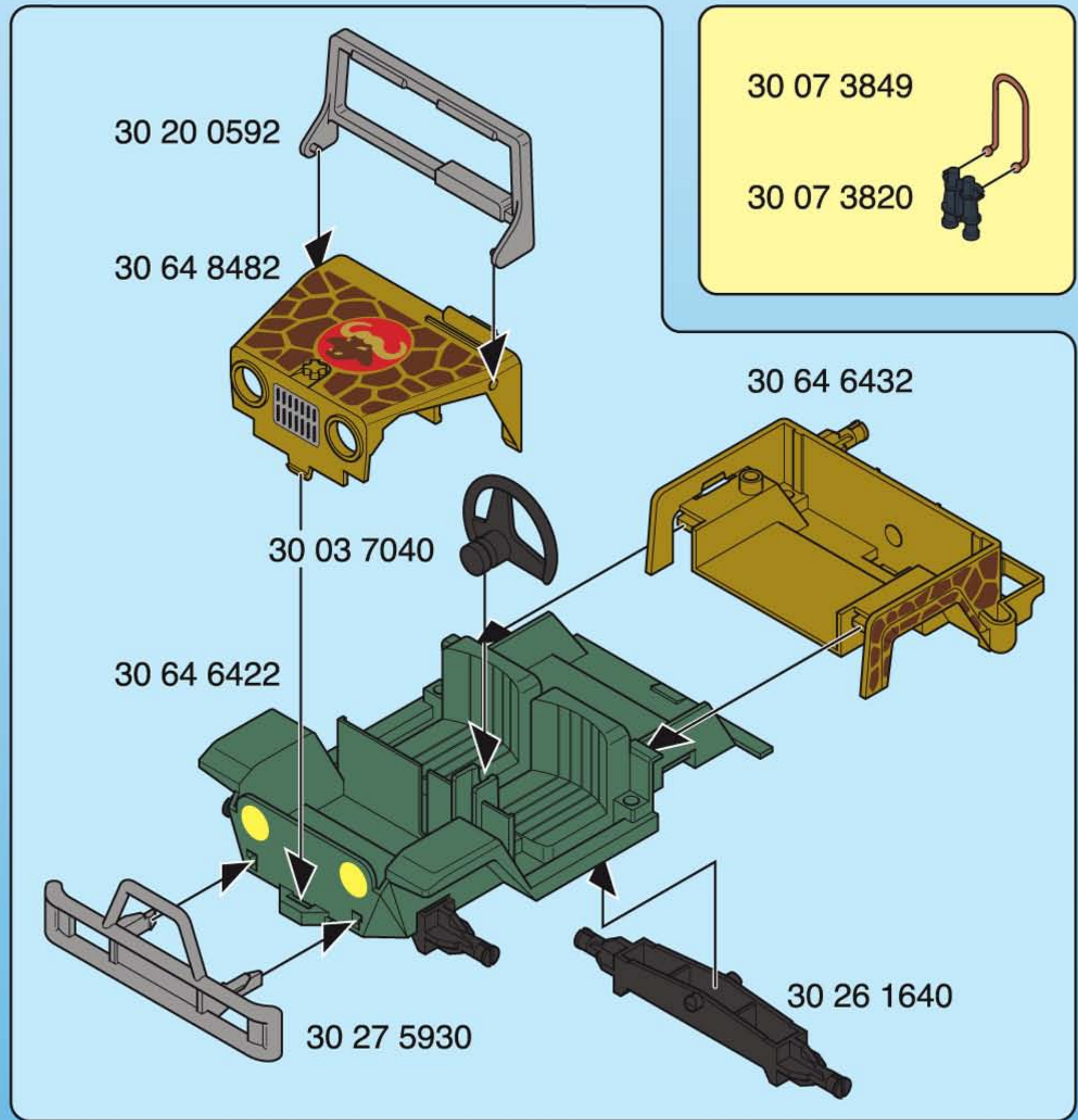
3



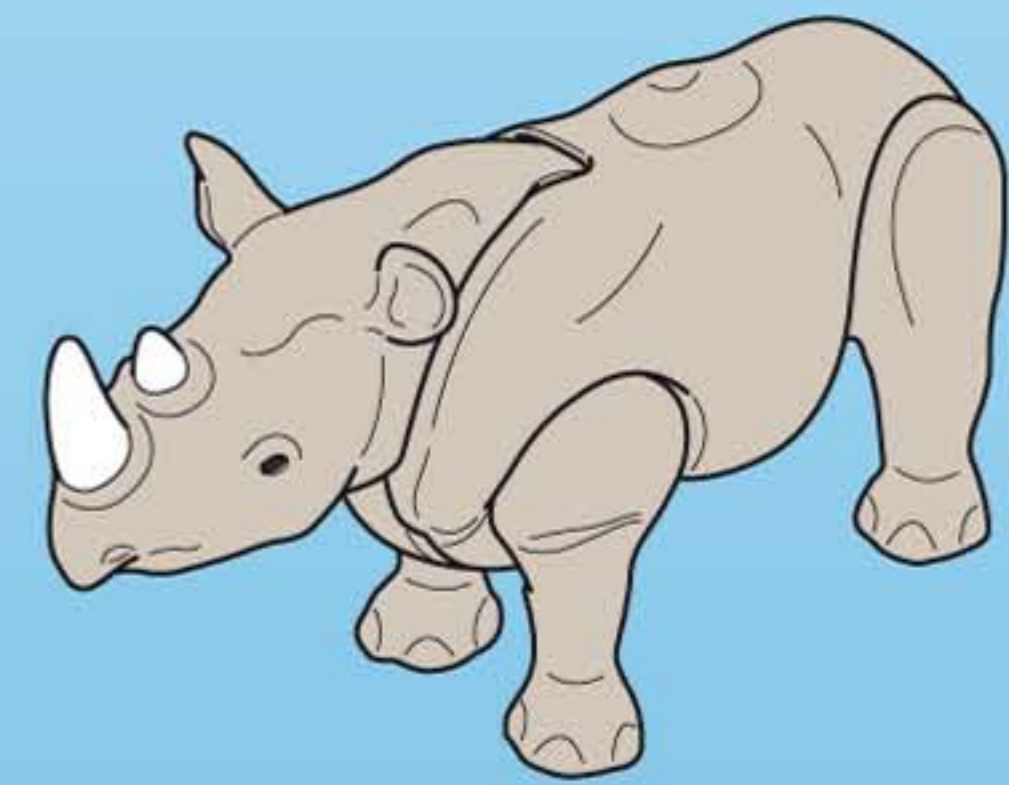
4



5



30 64 6272 



30 65 7262



© 2009 geobra Brandstätter, 90511 Zirndorf, Germany.
No. 30 82 0422 09.10