

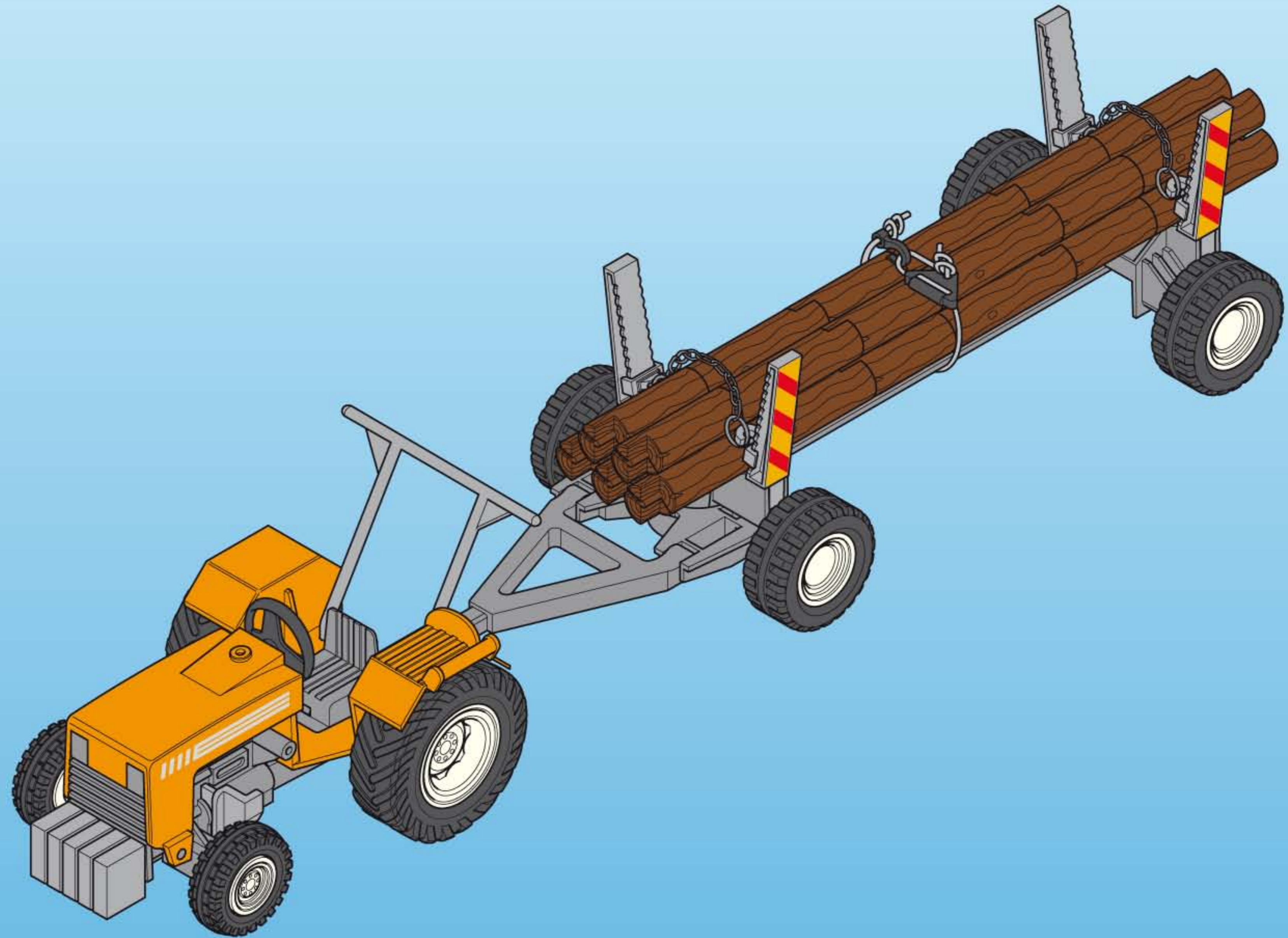
playmobil[®]

4209

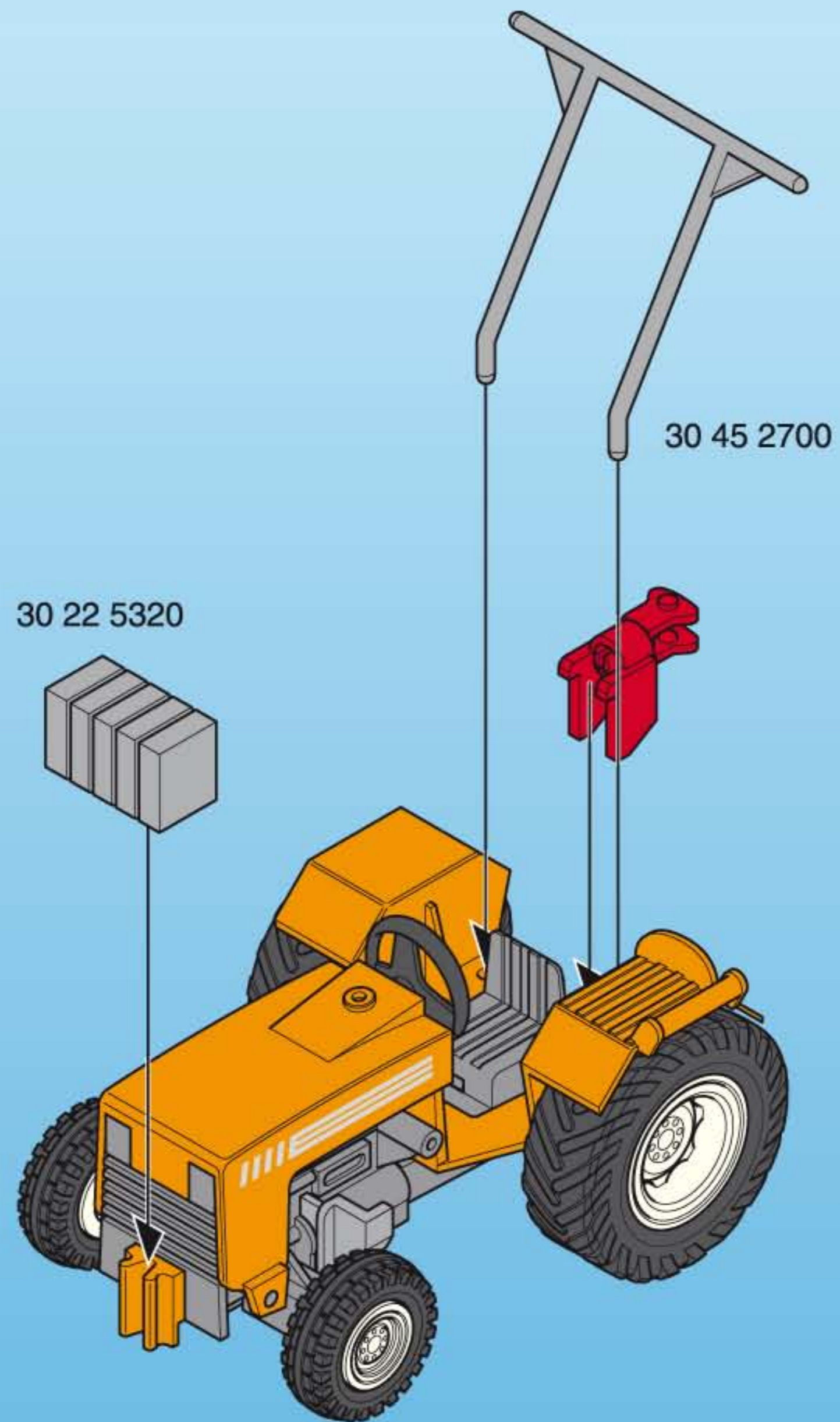
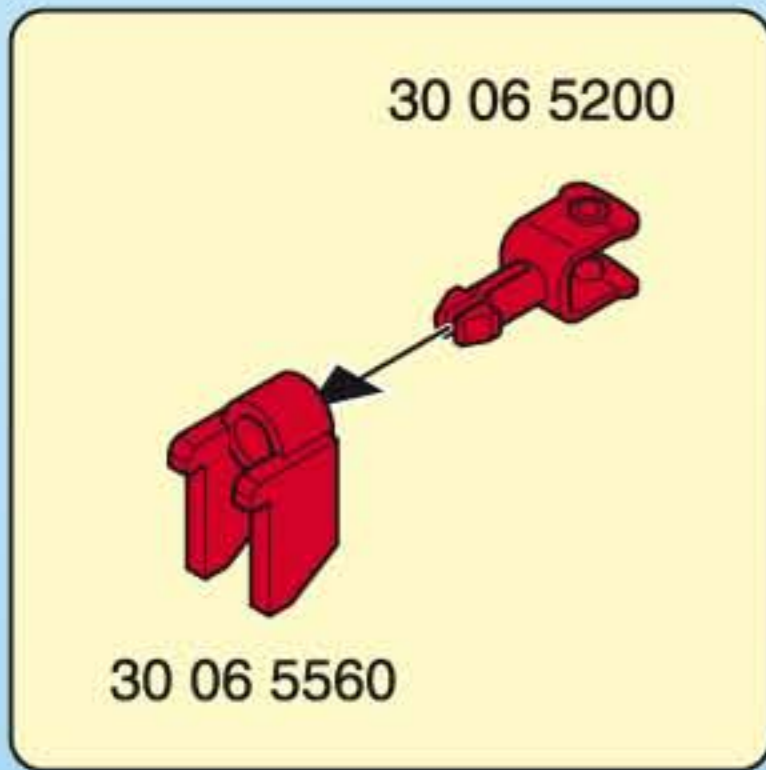
⚠ WARNING:
CHOKING HAZARD - SMALL PARTS
Not for children under 3 years.

"Ne concerne que les USA"

Wichtige Unterlagen, bitte sorgfältig aufbewahren !
Important documents keep carefully !
Documents importants conservez avec soin !

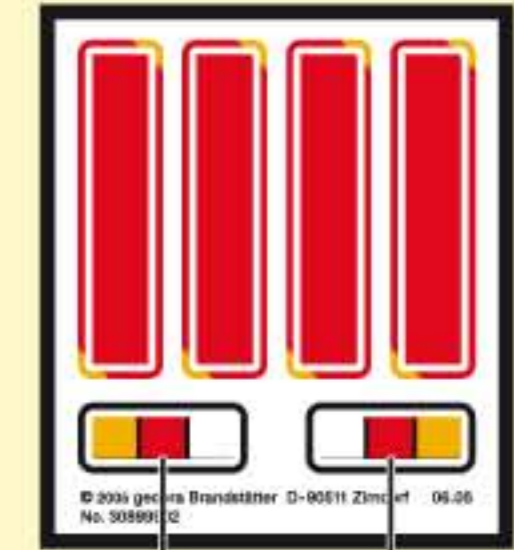


1

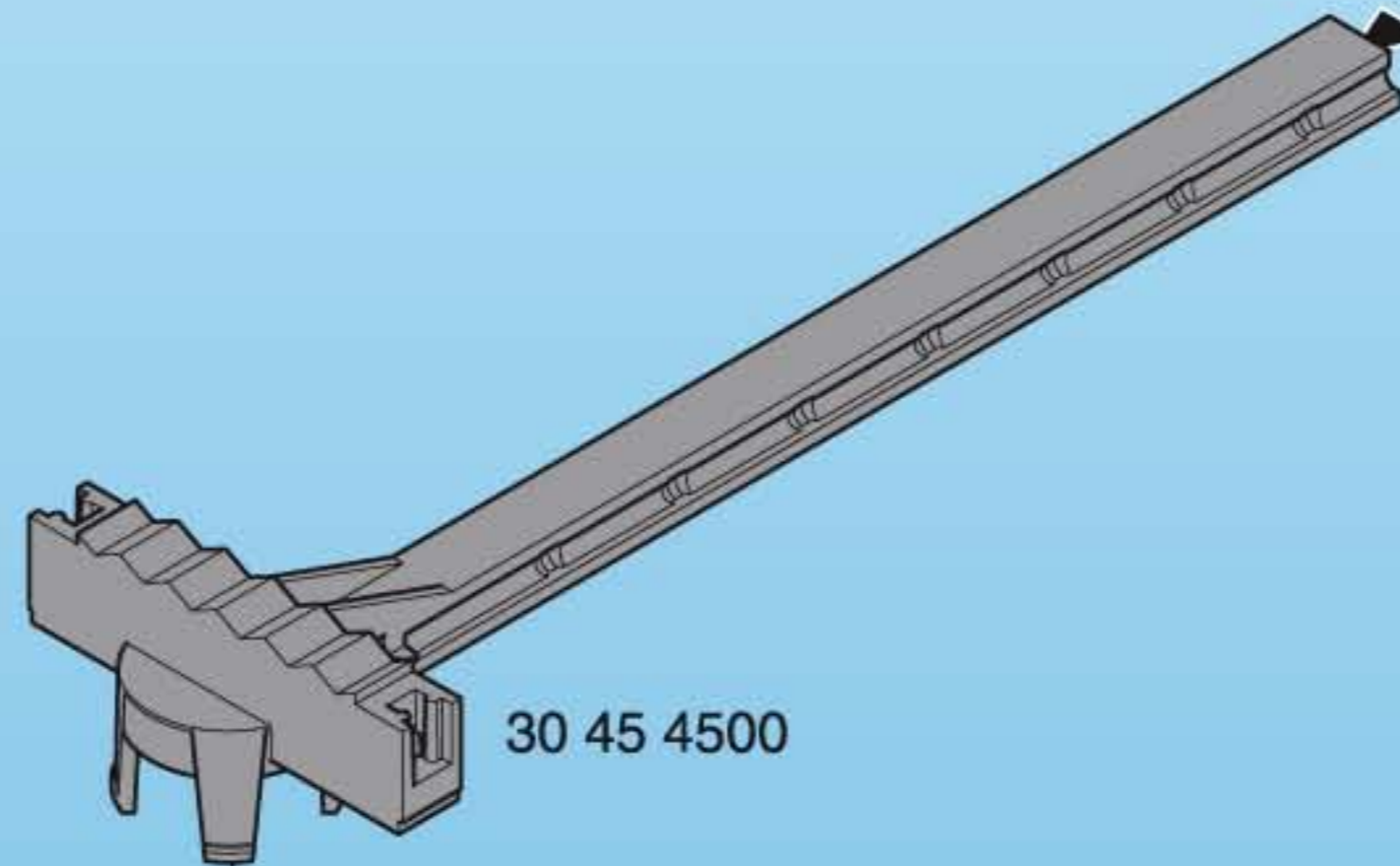
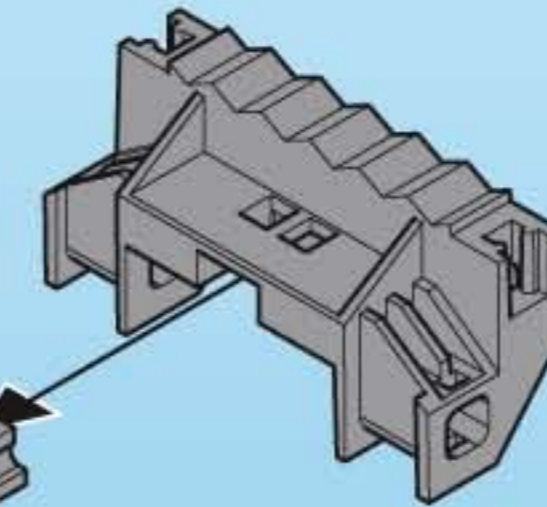


2

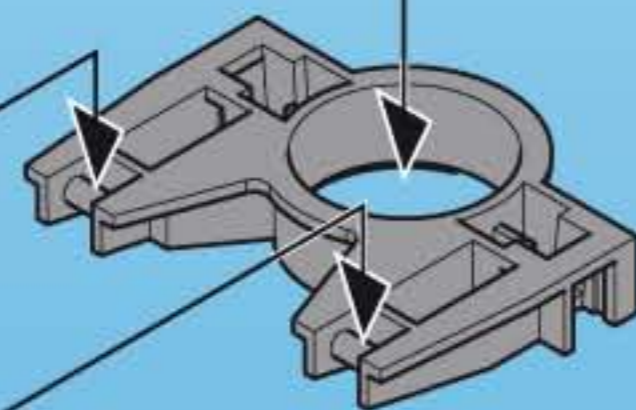
30 89 9902



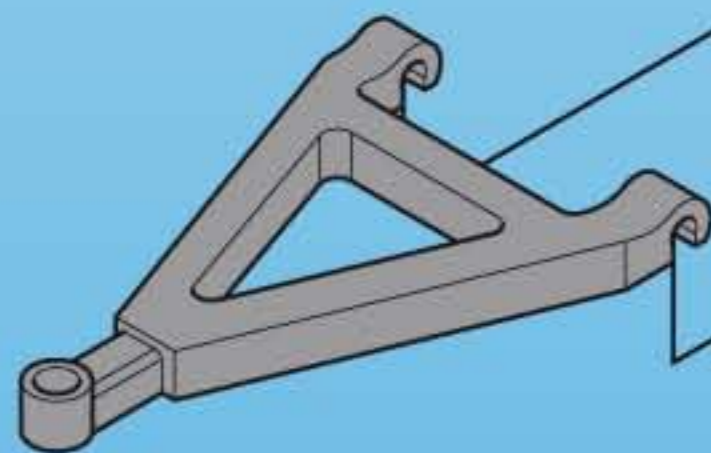
30 45 4520



30 45 4500



30 45 4510



30 26 0520

3

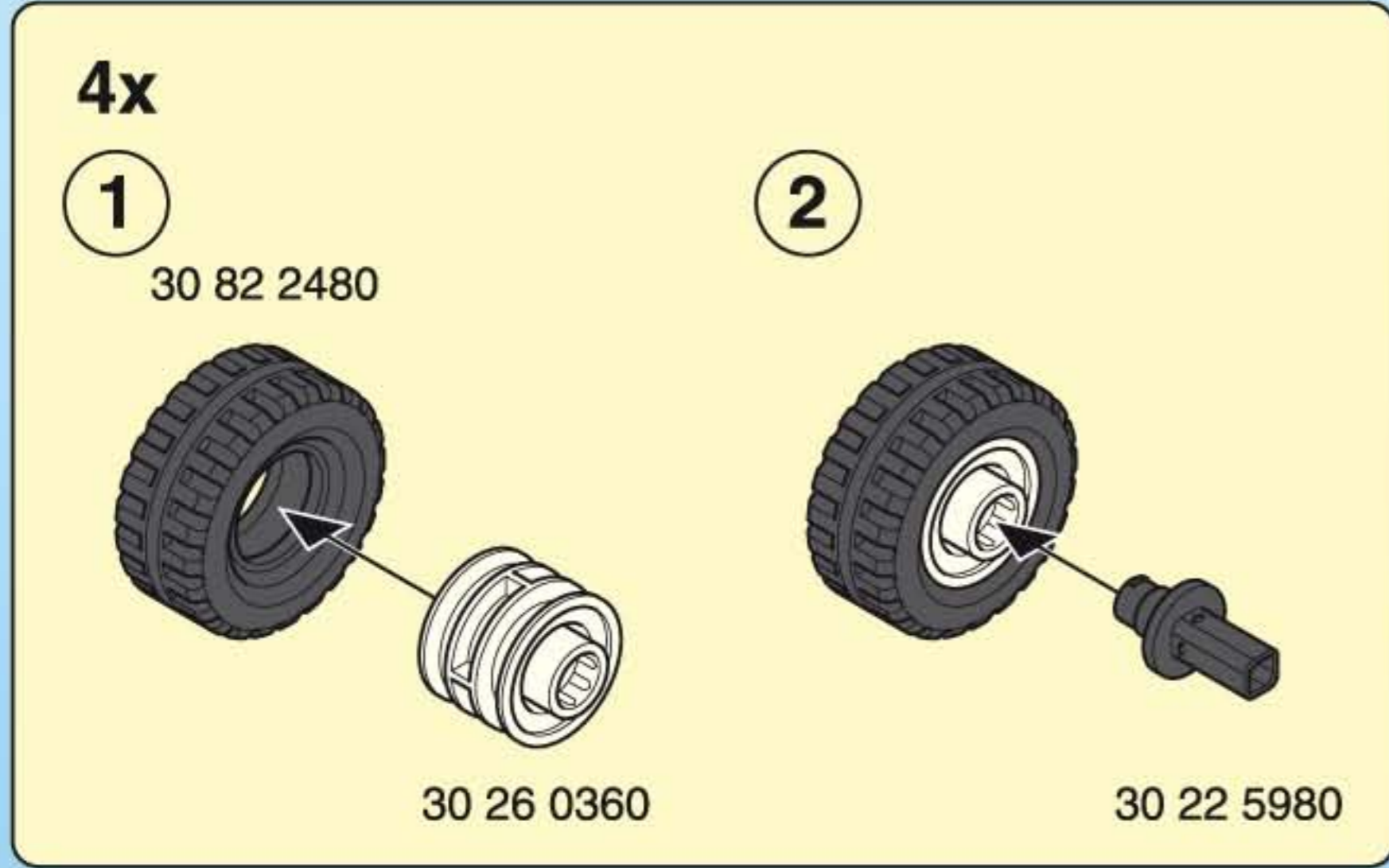
4x

① 30 82 2480

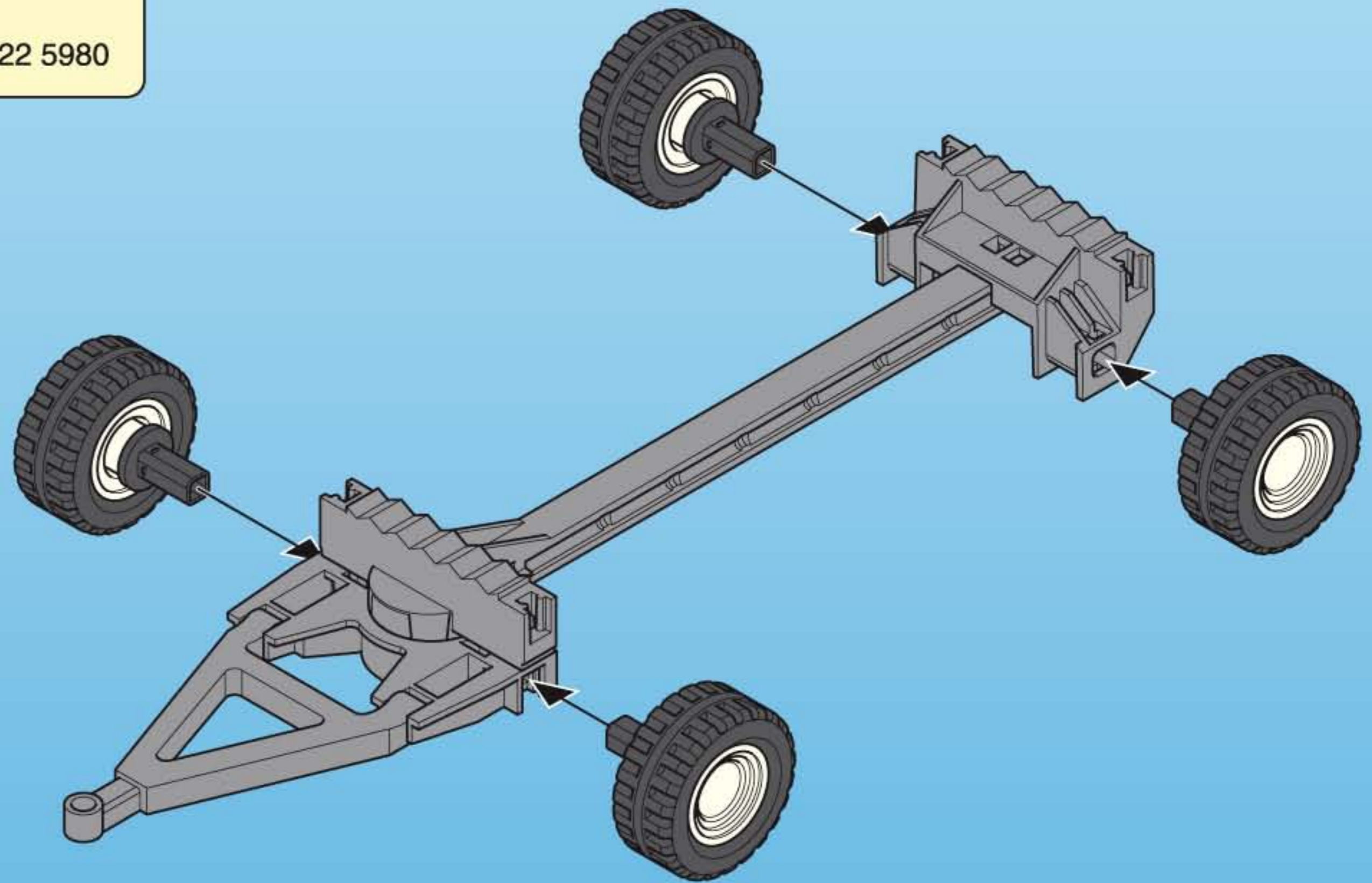
②

30 26 0360

30 22 5980



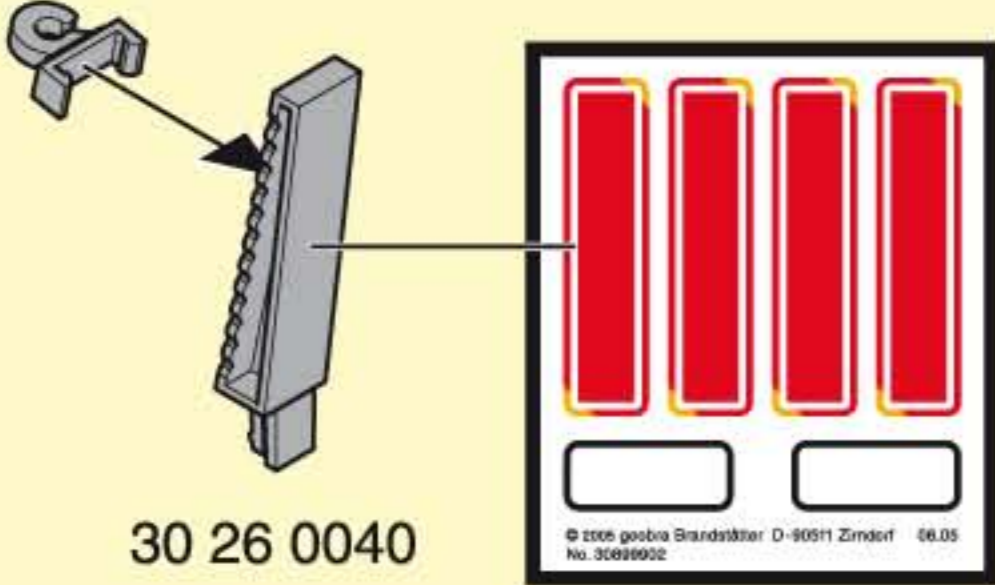
This block contains two sub-diagrams, 1 and 2, illustrating the assembly of a wheel. Diagram 1 shows a tire being fitted onto a hub with a central nut. Diagram 2 shows the tire fully seated on the hub with the central nut being tightened. The parts are labeled with their respective part numbers: 30 82 2480 for the tire, 30 26 0360 for the hub, and 30 22 5980 for the nut.



4

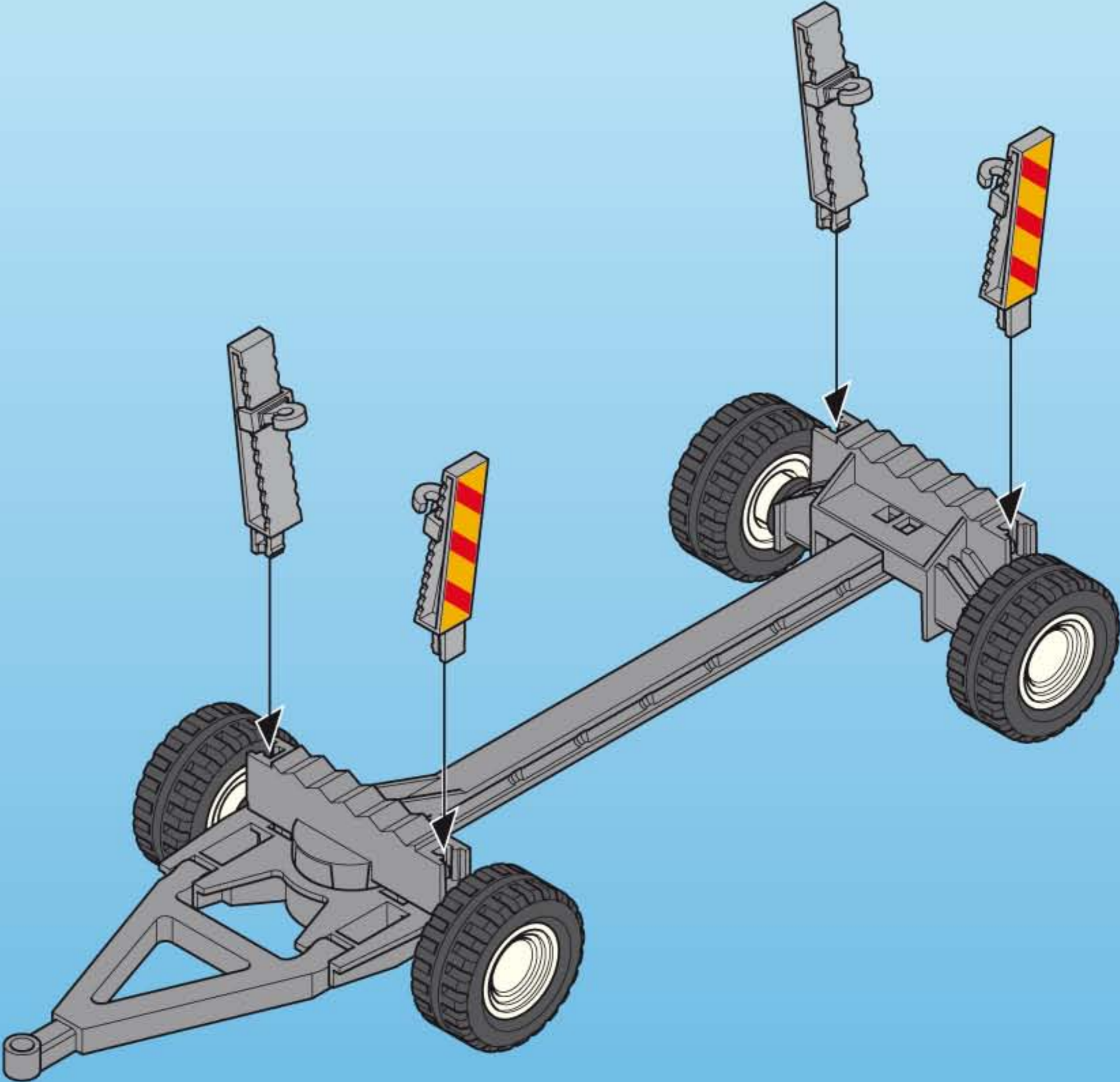
4

4x
30 51 3810



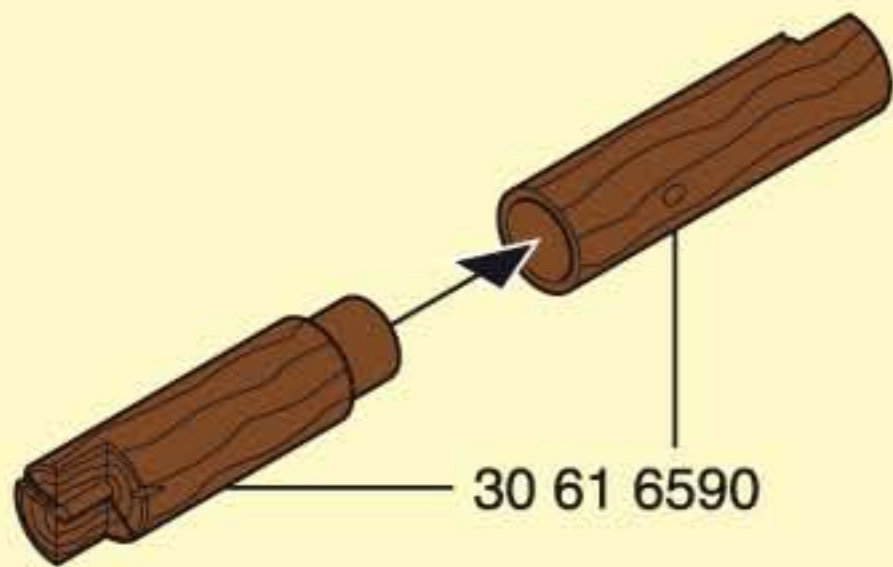
30 26 0040

© 2006 goobro Brandschutz D-90511 Zinsdorf 06.05
No. 30260040

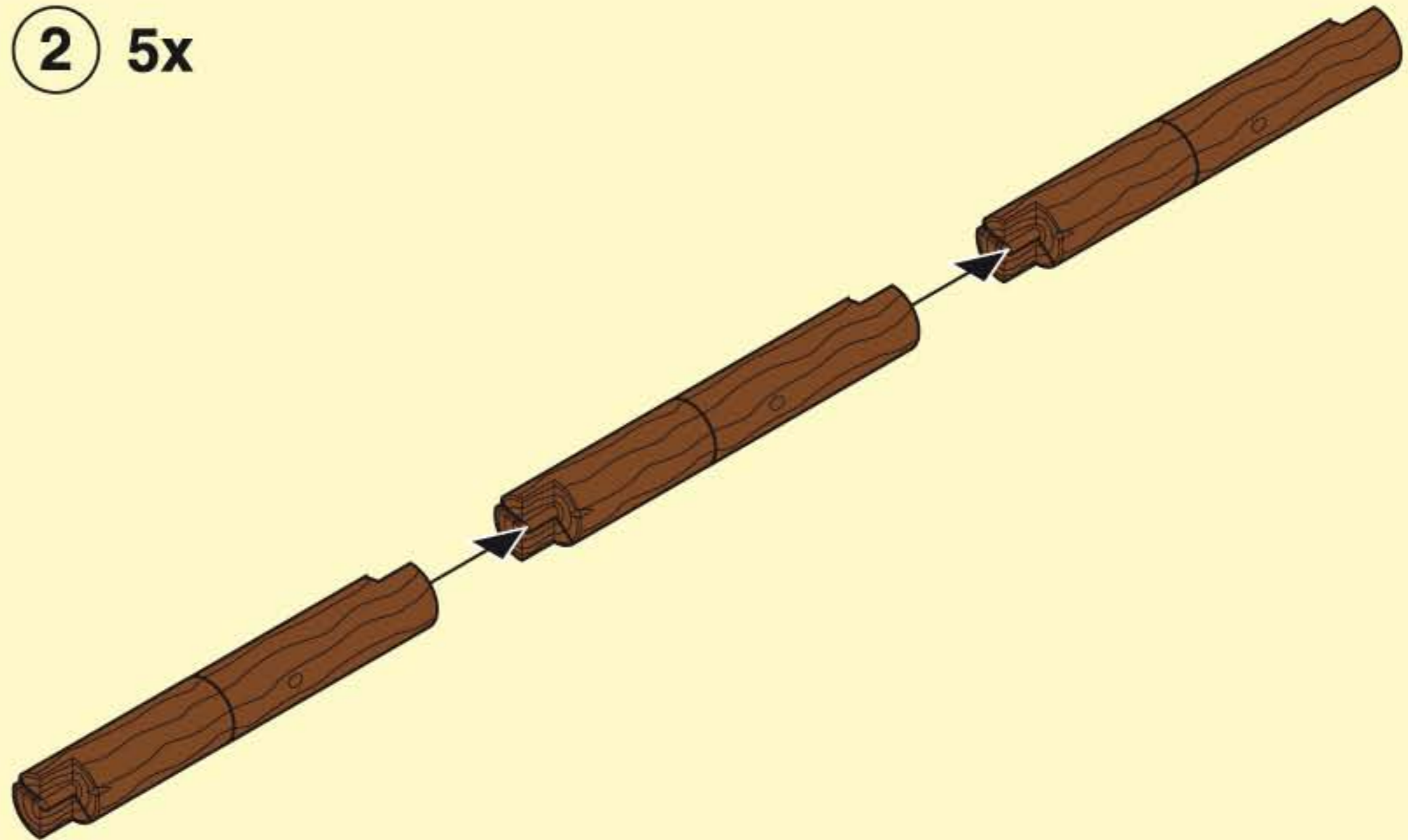


5

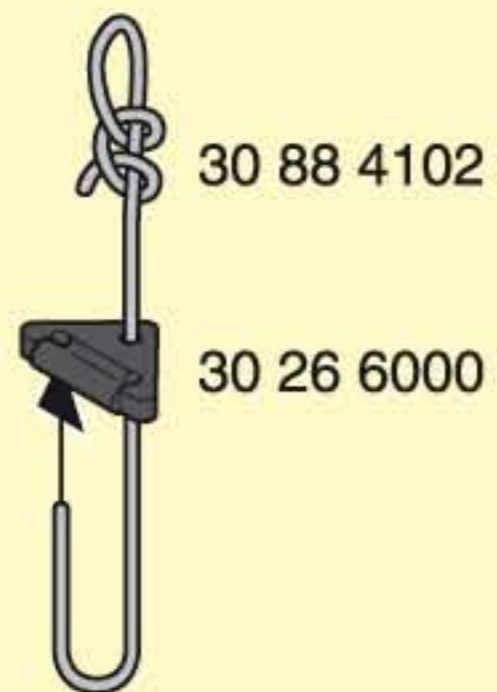
1 15x



2 5x



1



2

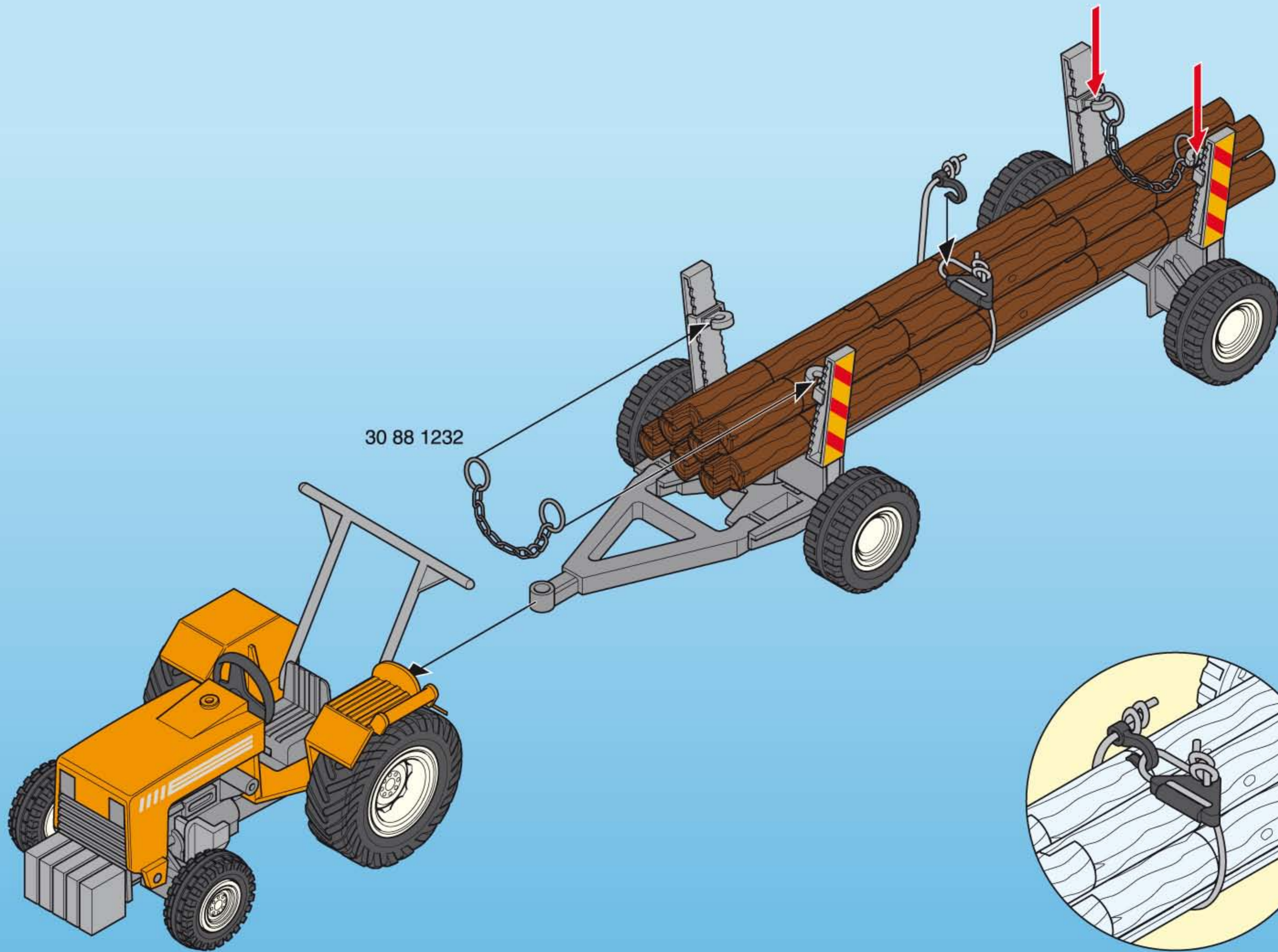


3

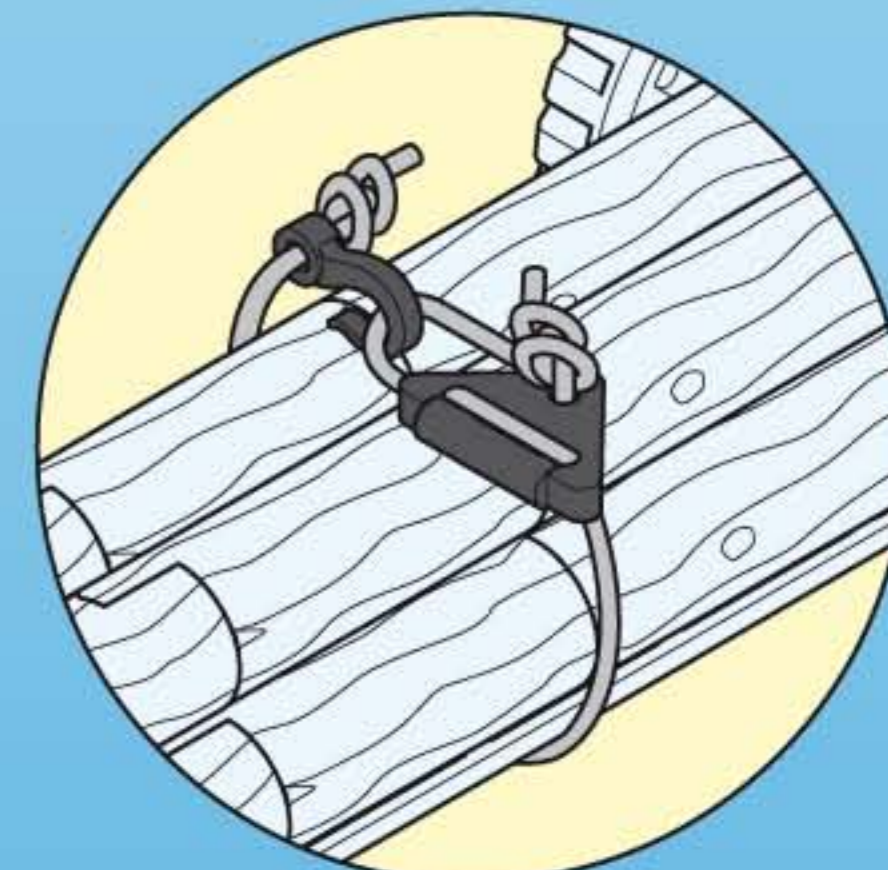


4





30 88 1232



30 06 7300



30 00 2142

Serviceadressen finden Sie in allen Playmobil-Prospekten

Addresses of Customer Service Departments are shown in all Playmobil catalogues

L'adresse du service consommateurs est indiquée dans tous les catalogues Playmobil

Troverete gli indirizzi dei centri di assistenza in tutti i cataloghi Playmobil

Las Direcciones de los Departamentos de Servicio al Consumidor se encuentran en todos los catálogos Playmobil

Η διεύθυνση του Γραφείου Εξυπηρέτησης Πελατών είναι καταχωρημένη σε όλους τους καταλόγους Playmobil

pronounce: plāy-mō-bēēl

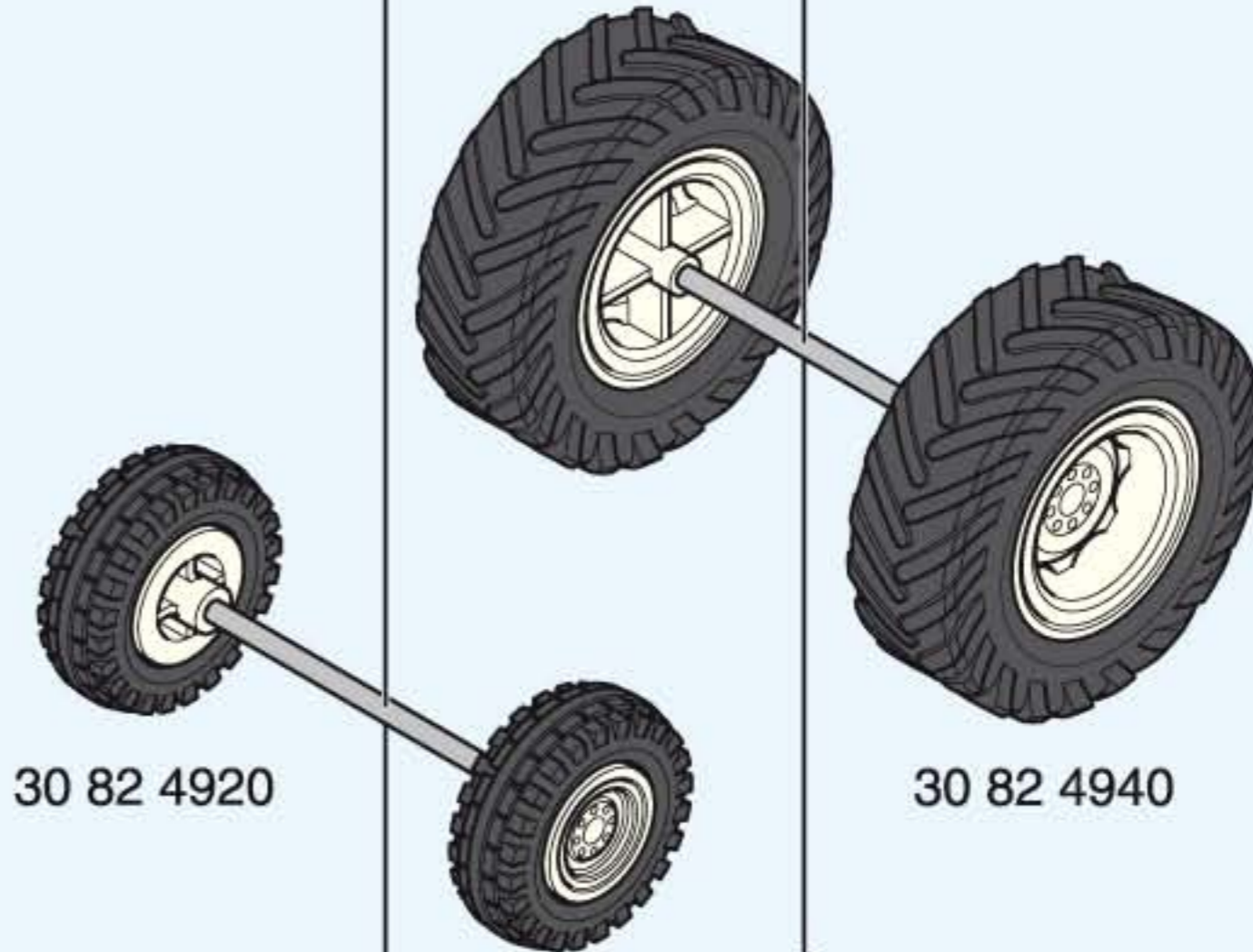
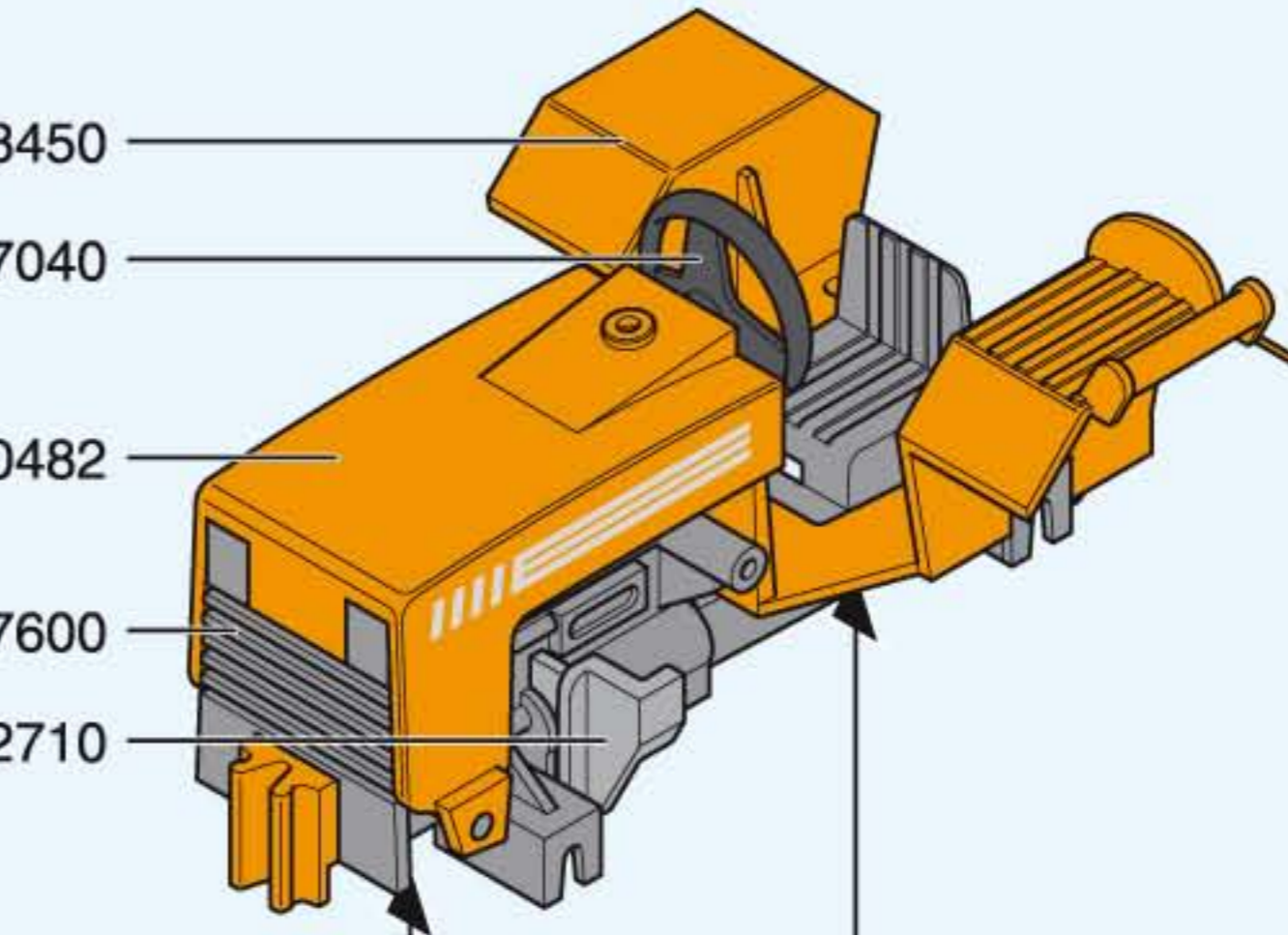
30 23 8450

30 03 7040

30 63 0482

30 23 7600

30 45 2710



30 82 4920

30 82 4940

30 25 9090

